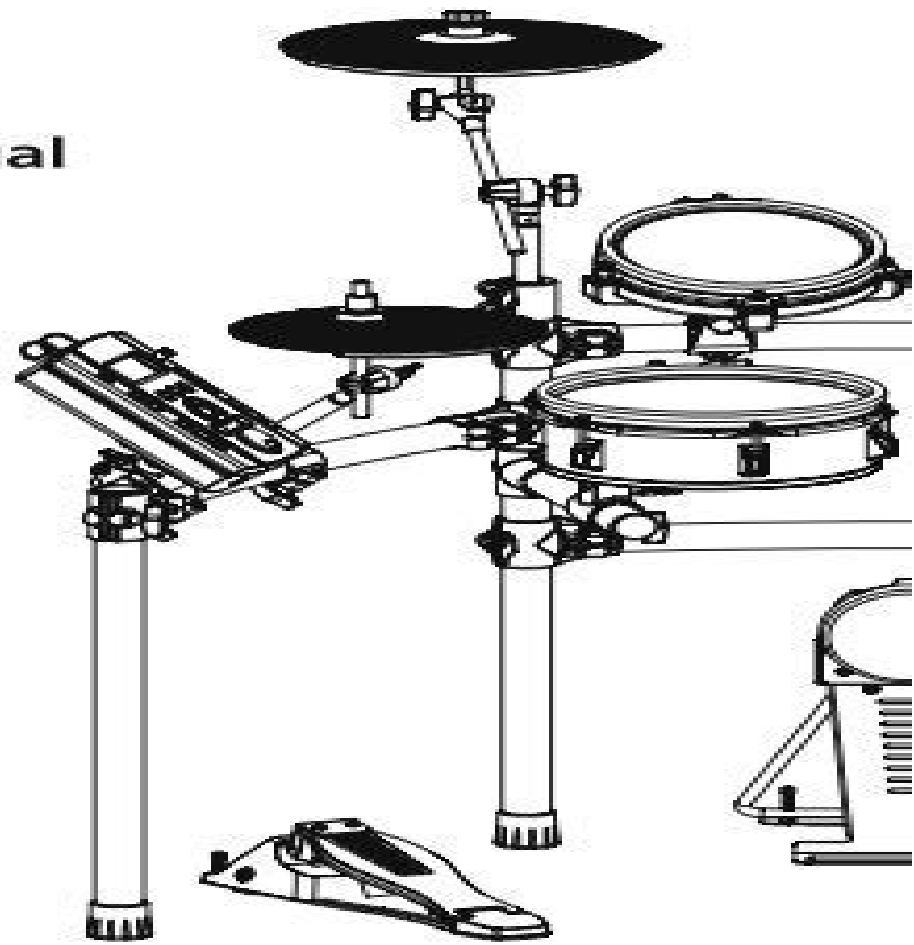


Roland  V-Drums

TD-9 Owner's Manual



Roland Td9 Manual

M Walker



Roland Td9 Manual:

Embark on a breathtaking journey through nature and adventure with Explore with is mesmerizing ebook, Witness the Wonders in **Roland Td9 Manual** . This immersive experience, available for download in a PDF format (Download in PDF: *), transports you to the heart of natural marvels and thrilling escapades. Download now and let the adventure begin!

<https://crm.avenza.com/About/virtual-library/fetch.php/Prostart%20Year%201%20Study%20Guide.pdf>

Table of Contents Roland Td9 Manual

1. Understanding the eBook Roland Td9 Manual
 - The Rise of Digital Reading Roland Td9 Manual
 - Advantages of eBooks Over Traditional Books
2. Identifying Roland Td9 Manual
 - Exploring Different Genres
 - Considering Fiction vs. Non-Fiction
 - Determining Your Reading Goals
3. Choosing the Right eBook Platform
 - Popular eBook Platforms
 - Features to Look for in an Roland Td9 Manual
 - User-Friendly Interface
4. Exploring eBook Recommendations from Roland Td9 Manual
 - Personalized Recommendations
 - Roland Td9 Manual User Reviews and Ratings
 - Roland Td9 Manual and Bestseller Lists
5. Accessing Roland Td9 Manual Free and Paid eBooks
 - Roland Td9 Manual Public Domain eBooks
 - Roland Td9 Manual eBook Subscription Services
 - Roland Td9 Manual Budget-Friendly Options
6. Navigating Roland Td9 Manual eBook Formats

- ePub, PDF, MOBI, and More
- Roland Td9 Manual Compatibility with Devices
- Roland Td9 Manual Enhanced eBook Features
- 7. Enhancing Your Reading Experience
 - Adjustable Fonts and Text Sizes of Roland Td9 Manual
 - Highlighting and Note-Taking Roland Td9 Manual
 - Interactive Elements Roland Td9 Manual
- 8. Staying Engaged with Roland Td9 Manual
 - Joining Online Reading Communities
 - Participating in Virtual Book Clubs
 - Following Authors and Publishers Roland Td9 Manual
- 9. Balancing eBooks and Physical Books Roland Td9 Manual
 - Benefits of a Digital Library
 - Creating a Diverse Reading Collection Roland Td9 Manual
- 10. Overcoming Reading Challenges
 - Dealing with Digital Eye Strain
 - Minimizing Distractions
 - Managing Screen Time
- 11. Cultivating a Reading Routine Roland Td9 Manual
 - Setting Reading Goals Roland Td9 Manual
 - Carving Out Dedicated Reading Time
- 12. Sourcing Reliable Information of Roland Td9 Manual
 - Fact-Checking eBook Content of Roland Td9 Manual
 - Distinguishing Credible Sources
- 13. Promoting Lifelong Learning
 - Utilizing eBooks for Skill Development
 - Exploring Educational eBooks
- 14. Embracing eBook Trends
 - Integration of Multimedia Elements
 - Interactive and Gamified eBooks

Roland Td9 Manual Introduction

In this digital age, the convenience of accessing information at our fingertips has become a necessity. Whether its research papers, eBooks, or user manuals, PDF files have become the preferred format for sharing and reading documents. However, the cost associated with purchasing PDF files can sometimes be a barrier for many individuals and organizations. Thankfully, there are numerous websites and platforms that allow users to download free PDF files legally. In this article, we will explore some of the best platforms to download free PDFs. One of the most popular platforms to download free PDF files is Project Gutenberg. This online library offers over 60,000 free eBooks that are in the public domain. From classic literature to historical documents, Project Gutenberg provides a wide range of PDF files that can be downloaded and enjoyed on various devices. The website is user-friendly and allows users to search for specific titles or browse through different categories. Another reliable platform for downloading Roland Td9 Manual free PDF files is Open Library. With its vast collection of over 1 million eBooks, Open Library has something for every reader. The website offers a seamless experience by providing options to borrow or download PDF files. Users simply need to create a free account to access this treasure trove of knowledge. Open Library also allows users to contribute by uploading and sharing their own PDF files, making it a collaborative platform for book enthusiasts. For those interested in academic resources, there are websites dedicated to providing free PDFs of research papers and scientific articles. One such website is Academia.edu, which allows researchers and scholars to share their work with a global audience. Users can download PDF files of research papers, theses, and dissertations covering a wide range of subjects. Academia.edu also provides a platform for discussions and networking within the academic community. When it comes to downloading Roland Td9 Manual free PDF files of magazines, brochures, and catalogs, Issuu is a popular choice. This digital publishing platform hosts a vast collection of publications from around the world. Users can search for specific titles or explore various categories and genres. Issuu offers a seamless reading experience with its user-friendly interface and allows users to download PDF files for offline reading. Apart from dedicated platforms, search engines also play a crucial role in finding free PDF files. Google, for instance, has an advanced search feature that allows users to filter results by file type. By specifying the file type as "PDF," users can find websites that offer free PDF downloads on a specific topic. While downloading Roland Td9 Manual free PDF files is convenient, its important to note that copyright laws must be respected. Always ensure that the PDF files you download are legally available for free. Many authors and publishers voluntarily provide free PDF versions of their work, but its essential to be cautious and verify the authenticity of the source before downloading Roland Td9 Manual. In conclusion, the internet offers numerous platforms and websites that allow users to download free PDF files legally. Whether its classic literature, research papers, or magazines, there is something for everyone. The platforms mentioned in this article, such as Project Gutenberg, Open Library, Academia.edu, and Issuu, provide access to a vast collection of PDF files. However, users should always be cautious

and verify the legality of the source before downloading Roland Td9 Manual any PDF files. With these platforms, the world of PDF downloads is just a click away.

FAQs About Roland Td9 Manual Books

What is a Roland Td9 Manual PDF? A PDF (Portable Document Format) is a file format developed by Adobe that preserves the layout and formatting of a document, regardless of the software, hardware, or operating system used to view or print it. **How do I create a Roland Td9 Manual PDF?** There are several ways to create a PDF: Use software like Adobe Acrobat, Microsoft Word, or Google Docs, which often have built-in PDF creation tools. Print to PDF: Many applications and operating systems have a "Print to PDF" option that allows you to save a document as a PDF file instead of printing it on paper. Online converters: There are various online tools that can convert different file types to PDF. **How do I edit a Roland Td9 Manual PDF?** Editing a PDF can be done with software like Adobe Acrobat, which allows direct editing of text, images, and other elements within the PDF. Some free tools, like PDFescape or Smallpdf, also offer basic editing capabilities. **How do I convert a Roland Td9 Manual PDF to another file format?** There are multiple ways to convert a PDF to another format: Use online converters like Smallpdf, Zamzar, or Adobe Acrobats export feature to convert PDFs to formats like Word, Excel, JPEG, etc. Software like Adobe Acrobat, Microsoft Word, or other PDF editors may have options to export or save PDFs in different formats. **How do I password-protect a Roland Td9 Manual PDF?** Most PDF editing software allows you to add password protection. In Adobe Acrobat, for instance, you can go to "File" -> "Properties" -> "Security" to set a password to restrict access or editing capabilities. Are there any free alternatives to Adobe Acrobat for working with PDFs? Yes, there are many free alternatives for working with PDFs, such as: LibreOffice: Offers PDF editing features. PDFsam: Allows splitting, merging, and editing PDFs. Foxit Reader: Provides basic PDF viewing and editing capabilities. How do I compress a PDF file? You can use online tools like Smallpdf, ILovePDF, or desktop software like Adobe Acrobat to compress PDF files without significant quality loss. Compression reduces the file size, making it easier to share and download. Can I fill out forms in a PDF file? Yes, most PDF viewers/editors like Adobe Acrobat, Preview (on Mac), or various online tools allow you to fill out forms in PDF files by selecting text fields and entering information. Are there any restrictions when working with PDFs? Some PDFs might have restrictions set by their creator, such as password protection, editing restrictions, or print restrictions. Breaking these restrictions might require specific software or tools, which may or may not be legal depending on the circumstances and local laws.

Find Roland Td9 Manual :

prostart year 1 study guide

[ps3 slim manual](#)

psychology 20 multiple choice questions

[psicologia general charles morris 13a edicion](#)

[ps vita killer games](#)

[proton gen2 workshop manual](#)

[ps tv games update](#)

[psychology chapter 4 test](#)

prostart car starter user manual

[psychogeacuteneacutealogie partie casser la chaicircne de transmission des sentiments neacutegatifs](#)

[ps2 sony playstation 2 repair guide resell 52777](#)

prove it powerpoint sample test

[ps tv black friday sale](#)

[protein synthesis ws 26 pearson](#)

[ps vita games cost](#)

Roland Td9 Manual :

pavement analysis and design by multiphysics researchgate - Feb 26 2022

web feb 28 2019 pdf on feb 28 2019 xue lu and others published pavement analysis and design by multiphysics find read and cite all the research you need on researchgate

pavement analysis and design huang yang h yang hsien - Jan 28 2022

web pavement analysis and design by huang yang h yang hsien 1927 publication date 2004 topics pavements design and construction structural analysis engineering publisher upper saddle river nj pearson prentice hall collection inlibrary printdisabled internetarchivebooks contributor

solution manual for pavement analysis and design 2nd edition - Jun 13 2023

web solution manual for pavement analysis and design 2nd edition yang h huang isbn 0131424734 9780131424739 free download as pdf file pdf or read online for free solutopn manual

pavement analysis and design pearson - Jan 08 2023

web aug 8 2003 extend your professional development and meet your students where they are with free weekly digital learning now webinars attend live watch on demand or listen at your leisure to expand your teaching strategies

[download pavement analysis design 2nd edition solution manual](#) - Apr 11 2023

web download pdf pavement analysis design 2nd edition solution manual d4pqwmwxwnp

pavement design and analysis of yang h huang solution manual - Nov 06 2022

web jan 1 2016 pdf this book is the solution manual for the pavement design and analysis of yang huang find read and cite all the research you need on researchgate

solution manual for pavement analysis and design 2nd edition scribd - Jul 14 2023

web 274556511 solution manual for pavement analysis and design 2nd edition yang h huang isbn 0131424734

9780131424739 pdf free download as pdf file pdf or read online for free

[solutions manual for pavement analysis and design 2nd edition](#) - Feb 09 2023

web solutions manual for pavement analysis and design 2nd edition by huang sample chapter free download as pdf file pdf or read online for free sdf

[310800255 pavement analysis design 2nd edition solution manual](#) - May 12 2023

web solutions manual pavement analysis and design second edition yang h huang solutions manual pavement analysis and design yang h huang pearson education inc upper saddle river new jersey 07 458

[student solutions manual pavement analysis and design 2nd](#) - Dec 07 2022

web abebooks com student solutions manual pavement analysis and design 2nd edition 9780131842441 by yang h huang and a great selection of similar new used and collectible books available now at great prices

pavement analysis and design solutions manual 2nd ed 2 ed - Aug 15 2023

web table of contents contents chapter 1 introduction chapter 2 stresses and strains in flexible pavements chapter 3 kenla yer computer program chapter 4 stresses and deflections in rigid pavements chapter 5 kenslabs computer program chapter 6 traffic loading and volume chapter 7 material characterization chapter 8 drainage design

huang pavement analysis and design solutions manual - Aug 03 2022

web may 1 2018 huang pavement analysis and design solutions manual pavement analysis and design by yang h huang comparison with available solutions and sensitivity analysis pavement

pavement analysis and design pearson - Mar 10 2023

web aug 8 2003 pavement analysis and design pavement analysis and design 2nd edition published by pearson august 7 2003 2004 yang h huang hardcover 213 32 price reduced from 266 65 buy now free delivery isbn 13 9780131424739

pavement analysis and design published 2003 need help get in touch top

pavement analysis and design 2nd edition solutions - Oct 05 2022

web get access pavement analysis and design 2nd edition solutions manual now our textbook solutions manual are written by crazyforstudy experts

pdf pavement analysis and design by yang h huang - Sep 04 2022

web jun 7 2017 by easyengineering net download pavement analysis and design by yang h huang the first edition of pavement analysis and design was published in 1993 the wide spread adoption of this book by so many colleges as an undergraduate or graduate text has encouraged the author to write this second edition

pavement analysis and design huang free solution manual a - Mar 30 2022

web jul 3 2023 pavement analysis and design huang free solution manual a useful resource for students and engineers pavement analysis and design is a complex and important field of civil engineering that deals with the design construction maintenance and performance of pavement structures

pavement analysis and design solution manual pdf - Dec 27 2021

web rigid pavement analysis and design k w heinrichs 1989 evaluation of analysis models and design methods principles of pavement design e j yoder 1991 01 08 presents a complete coverage of all aspects of the theory and practice of pavement design including the latest concepts scientific and technical aerospace reports 1991

solution manual pavement analysis and design 2nd edition by - Jun 01 2022

web complete solution manual for pavement analysis and design 2nd edition by yang h huang download instantly after purchase for samples email me at other30315 gmail com you will get a pdf 6mb file 28 00 buy now or add to cart

pdf pavement analysis and design researchgate - Jul 02 2022

web feb 11 2011 haneen adil mohammed for all civil engineers who would like to gain more information about concrete pavements and roller compacted concrete the use of two layer system in concrete pavement has

pavement analysis and design by yang huang solution manual - Apr 30 2022

web pavement analysis and design by yang huang solution manual download pdf ebooks about pavement analysis and design by yang guidance notes on pavement design for carriageway construction fwd analysis pavement analysis pavement analysis and design 2nd edition pdf free download pavement

allen career institute kota courses fee structure for class - Jan 10 2023

web get the details of courses fee structure for class 6th to 10th ntse nstse olympiads jso nsep b c a rmo nmtc coaching in kota for session 2021 22 allen ac in

online admission process at allen career institute step by step - Jun 03 2022

web mar 20 2023 student profile when the student profile panel will appear you will have to fill in the course details enter

the class and select the class room centre city select the stream select the admission mode where 3 kinds of admission mode will be seen asat direct and tallentex

allen kota best coaching classes for class 6th to 10th - Jul 16 2023

web enroll with allen which offer national international level exam coaching in kota for students belong to 6th 7th 8th 9th 10th classes ntse stse kvpy nste nso imo allen ac in

allen digital jee neet class 6th 10th online coaching - May 02 2022

web want online classes to be engaging interactive break the monotony of online learning with allen s virtually organized classroom elements be a part of interactive live classes by kota coaching s top faculties experience the essence of offline learning in an online format

amazon in allen kota study material - Feb 28 2022

web jun 8 2022 1 16 of 239 results for allen kota study material results allen physics chemistry maths handbook for iit jee exam english set of 3 books combo pw udaan foundation course for class 10th study material physics chemistry mathematics biology set of 5 books your companion to crack ntse nvs kvpy boards iit

allen career institute kota courses fee structure for class - Dec 29 2021

web get the details of courses fee structure for class 6th to 10th ntse ntse olympiads jso nsep b c a rmo nmtc coaching in kota for session 2021 22 allen ac in

allen career institute kota best coaching for neet ug jee - Nov 08 2022

web join allen career institute kota india s top coaching institute for neet ug iit jee jee main advanced ntse board olympiads other competitive exams like bitsat kvpy etc allen ac in

cbse class 10th study material with test series for ntse allen - Dec 09 2022

web allen dlp cbse class 10th study material with test series for ntse study material for cbse olympiads class x with self evaluation test papers academic session 2023 2024 study material for cbse class x about dlp material cbse class vi study material cbse class vii study material cbse class viii study material cbse

allen kota cbse compendium for class 10 set of 6 books - Jun 15 2023

web jan 1 2021 allen kota cbse compendium for class 10 set of 6 books physics chemistry biology mathematics english social science reduced syllabus for 2021 allen career institute questions based on the latest syllabus prescribed by cbse board amazon in books

crash course cbse class x board allen career institute - Aug 17 2023

web join 2 months live crash course for cbse class 10th board exam at allen kota focused course based on new pattern revised syllabus allen ac in

sample video lectures class 10th online courses medium english - Jan 30 2022

web welcome to allen digital s sample video lectures for class 10th allen s digital classes strive to develop children to be successful in the real world t show more show more class10 maths

allen kota fees contact courses hostel reviews collegedunia - Apr 01 2022

web allen kota tallentex allen tallentex is a scholarship exam conducted by allen for students of classes 5 to 10 it aims to identify talented students and provide them with financial support and educational guidance the exam tests students knowledge in subjects like mathematics physics chemistry and biology

allen announces admission for session 2023 24 - Jul 04 2022

web jan 7 2023 allen career institute has announced admission in various courses for the session 2023 24 new batches for class 10th to 11th moving class 12th and 12th pass students will commence from january 2023 the next batch will begin in april 2023 apart from these various batches will start after board exams

cbse class 10th allen career institute - Feb 11 2023

web the central board of secondary education cbse has published the class 10 schedule for the year 2023 class 10 board examinations will be held from february 15th to march 21st 2023 the majority of the topics for the cbse class 10 exam will be administered from 10 30 am to 12 30 pm

allen career institute kota online test series - Aug 05 2022

web class 6th olympiads online test series [click here](#) 2 class 7th olympiads online test series [click here](#) 3 class 8th olympiads online test series [click here](#) 4 class 9th olympiads online test series [click here](#) 5 class 10th olympiads online test series [click here](#)

allen online classes for class 6 7 8 9 10 home schooling - May 14 2023

web allen pncf the expertise of kota classroom coaching at your doorstep with online course for class 6 7 8 9 10 boards ntse olympiads preparations learn at home from india s best faculties in a healthy and competitive environment

allen career institute kota courses fee structure for class - Mar 12 2023

web get the details of courses fee structure for class 6th to 10th ntse ntse olympiads jso nsep b c a rmo nmtc coaching in kota for session 2020 21 allen ac in

amazon in allen career institute books - Sep 06 2022

web jan 1 2020 allen score 10 test papers with solutions paper 1 2 for jee advanced 2023 in english physics chemistry mathematics by allen expert faculties and allen career institute 19 march 2023 20 paperback currently unavailable

sample video lectures of class 10th online courses allen - Oct 07 2022

web jul 16 2021 welcome to allen digital s sample video lectures for class 10th allen s digital classes strive to develop

children to be successful in the real world the expert faculty team at allen
[allen kota cbse compendium for class 10 set of 6 books](#) - Apr 13 2023

web allen kota cbse compendium for class 10 set of 6 books physics chemistry biology mathematics english social science
reduced syllabus for 2021 by allen career institute from flipkart com only genuine products 30 day replacement guarantee
free shipping cash on delivery

[dfd for hotel reservation system data flow diagrams](#) - Jul 06 2022

web september 27 2022 by nym the dfd for hotel reservation system is the overall flow of data on the design it is secondhand
to document the transformation of data input output for project advanced in add on the hotel reservation system dfd consists
of dfd levels 0 1

[data flow diagram templates to map data flows creately blog hotel](#) - Aug 07 2022

web jan 5 2023 data flow diagrams are used to visualize of data flow internally systems here are expertly designed data flow
diagram templates for help you get started

hotel data management solutions databases and best practices altexsoft - Apr 15 2023

web explore the ways hotel data management can drive guest retention boost performance and cut costs the cloud based
property management system collecting data has been explained properly and simple words understanding internal data
source and data processing also called data flow diagram is explained nicely thanks for the articles

[hotel management system collaboration classic creately](#) - Nov 29 2021

web edit this template use creately s easy online diagram editor to edit this diagram collaborate with others and export
results to multiple image formats you can easily edit this template using creately you can export it in multiple formats like
jpeg png and svg and easily add it to word documents powerpoint ppt presentations excel or

[data flow diagram dfd dfd library design elements data flow](#) - Jan 12 2023

web ssadm is based on the data flow diagrams at the description of data flows out of the system and into the system dfd
which denote boundaries of the system are used yourdon and coad diagram

dfd for hotel management system edrawmax template - May 16 2023

web mar 22 2022 a dfd for the hotel management system maps out the information flow for the hotel management system it
shows data inputs outputs storage points and the routes between each destination using defined symbols such as rectangles
circles and arrows as well as short text labels

dfd for hotel reservation system data flow diagrams - Nov 10 2022

web september 27 2022 by nym the dfd for hotel reservation system is the overall flow of data on the project it is used to
document the transformation of data input output for project development in addition the hotel reservation system dfd

consists of

data flow diagrams dfd hotel management system dfd conceptdraw - Dec 11 2022

web data flow diagrams solution extends conceptdraw pro software with templates samples and libraries of vector stencils for drawing the data flow diagrams dfd hotel management system project data flow diagram 1st level dfd of hotel management system draw 1st level dfd for hotel management system process flowchart

hotel management system dfd level 1 classic creately - Mar 14 2023

web template types hotel management system dfd level 1 classic by disha varshney edit this template use creately s easy online diagram editor to edit this diagram collaborate with others and export results to multiple image

dfd for hotel management system data flow diagram - Sep 20 2023

web sep 28 2022 the dfd for hotel management system is an overall flow of how the data moves through a system describing its inputs and outputs process within the entire system furthermore the data flow diagram dfd is a graphical representation of the system data process management structure

data flow diagram examples symbols types and tips - May 04 2022

web a data flow diagram zeigt the way details flows through a litigation press system it includes data inputs and outputs data stores additionally the various subprocesses the data moves through dfds are built using standardized graphical and note in define various existences and their relationships

hotel reservation system dfd creately - Dec 31 2021

web a hotel reservation system dfd data flow diagram is an invaluable tool for software development it is a graphical representation of the flow of data between processes functions and other parts of the system this diagram highlights the inputs outputs and data stores associated with the system

data flow diagram of hotel management system pdf scribd - Jun 05 2022

web procedure fidentifying problems opportunities and objectives problem the hotel management system doesnt have any cooperation with other company like travel agency opportunities entering new market segment objectives to branding the hotel customer easier to book the hotel determining human information requirements

data flow diagram hotel management system visual paradigm - Jun 17 2023

web eye catching data flow diagram template data flow diagram hotel management system great starting point for your next campaign its designer crafted professionally designed and helps you stand out

dfd for hostel management system data flow diagram - Mar 02 2022

web aug 5 2022 one of the methods used for hostel management system development is the dfd data flow diagram it represents the system s major processes and alternatives that generate the internal flow of data additionally the data was

properly categorized to illustrate the hostel management system structure

data flow diagrams dfd dfd for hotel management system pdf - Oct 09 2022

web data flow diagrams dfd data flow diagrams solution extends conceptdraw pro software with templates samples and libraries of vector stencils for drawing the data flow diagrams dfd dfd for hotel management system pdf process flowchart tourist cost management system dfd dfd diagram for hotel management system pdf

dfd for hotel management system sourcecodehero com - Sep 08 2022

web apr 22 2022 the data flow diagram is composed of levels 0 1 and 2 that explains the data handling of hotel management system in addition it also acts as the foundation for subsequent levels and dfd level 1 extends dfd level 0 and dfd level 2 includes databases for all data used in the project s principal function

dfd for hotel management system data flow diagram - Apr 03 2022

web sep 28 2022 the dfd for stay management system is a over all flow out how the data moves trough a system describing its inputs and output processing inward the who system furthermore the information flow diagram dfd lives a graphical representation of the organization data processing management structure in that case of the hotel

data flow diagram examples symbols types and tips lucidchart data - Feb 01 2022

web dfd for hotel management systematisches date flow diagram what is an evidence flow diagram a data flow diagram shows the way information flows by an process or system it includes data inputs and outgoing data stores and the various subprocesses the data moved through dfds exist built using standardized symbols and notation to

[data flow diagram for hotel management edrawmax template](#) - Feb 13 2023

web mar 22 2022 this data flow diagram for hotel management also depicts the hotel s key operational processes the following are the four key operating processes in the hotel hotel housekeeping supplying necessary inputs guest arrivals and departures and producing and serving food and beverage

data model for a hotel management system vertabelo database - Aug 19 2023

web sep 26 2023 putting hospitality into visual form with a hotel management system er diagram consider a busy hotel with efficient check in and check out procedures careful management of room reservations and many room assignments

hotel management flowchart examples templates - Jul 18 2023

web example 1 er diagram for hotel management system example 2 data flow diagram for hotel management example 3 hotel reservation system example 4 hotel emergency evacuation map example 5 hotel piping diagram example 6 hotel organizational chart