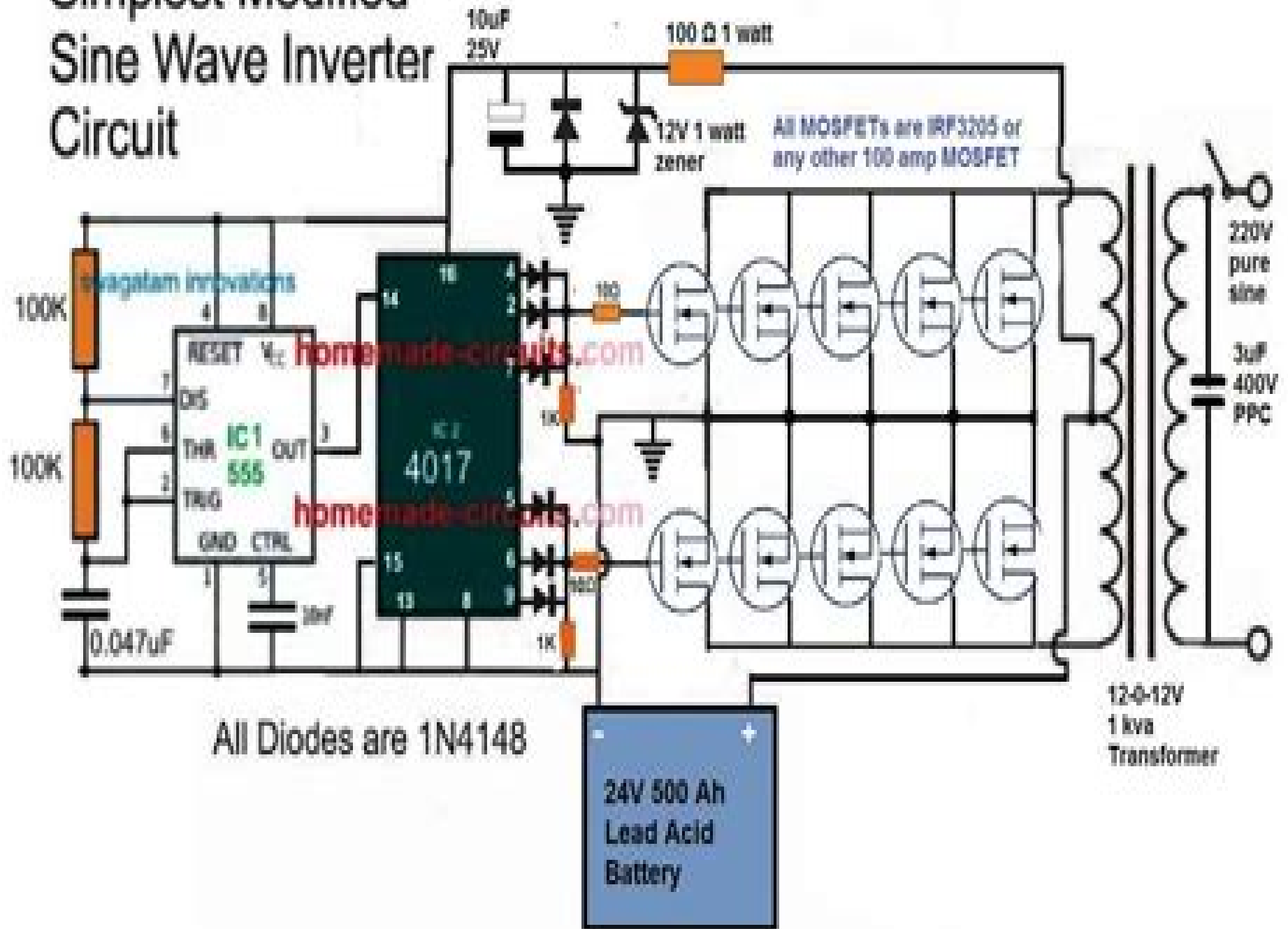


Simplest Modified Sine Wave Inverter Circuit



Schematic Pure Sine Wave Inverter Mosfet

Mr. Rohit Manglik



Schematic Pure Sine Wave Inverter Mosfet:

Arduino Projects for Engineers Neerparaj Rai,2018-05-31 Providing 24 projects with wiring diagrams and the programs required to complete each one this book covers both the software and hardware aspects of each project and will help students create their own innovative prototypes

Intelligent and Sustainable Power and Energy Systems M. Premkumar,Pasumarthi Usha,Sujit Kumar,Manikanta Gopiseti,2025-07-23 Intelligent and Sustainable Power and Energy Systems delves into the critical advancements shaping the future of global energy This compilation presents cutting edge research and innovative solutions addressing the urgent need to transition towards environmentally responsible and technologically sophisticated energy infrastructures Explore the integration of artificial intelligence machine learning and advanced control systems in optimising energy generation distribution and consumption Discover novel approaches to renewable energy integration smart grid technologies and energy storage solutions all geared towards enhancing efficiency and minimising environmental impact From theoretical frameworks to practical implementations this work offers a comprehensive overview of the latest developments providing essential insights for researchers engineers and policymakers striving to build a resilient and sustainable energy future This book is a vital resource for navigating the complex challenges and opportunities in the evolving landscape of power and energy systems

Electrician - Power Distribution (Theory) - I Mr. Rohit Manglik,2024-05-24 Focuses on power distribution systems line diagrams transformers conductors and basics of electrical supply grids

Modern Power Electronics PC Sen,2005-03 I May observed that recent developments in power electronics have proceeded in two different directions namely low power range power supplies using high frequency PWM technique and medium to high power range energy control systems to serve specific Purpose

WITS 2020 Saad Bennani,Younes Lakhrissi,Ghizlane Khaissidi,Anass Mansouri,Youness Khamlichi,2021-07-21 This book presents peer reviewed articles from the 6th International Conference on Wireless Technologies Embedded and Intelligent Systems WITS 2020 held at Fez Morocco It presents original research results new ideas and practical lessons learnt that touch on all aspects of wireless technologies embedded and intelligent systems WITS is an international conference that serves researchers scholars professionals students and academicians looking to foster both working relationships and gain access to the latest research results Topics covered include Telecoms Wireless Networking Electronics Multimedia Embedded Intelligent Systems Renewable Energies

Electronics Mechanic (Theory) - II Mr. Rohit Manglik,2024-05-18 EduGorilla Publication is a trusted name in the education sector committed to empowering learners with high quality study materials and resources Specializing in competitive exams and academic support EduGorilla provides comprehensive and well structured content tailored to meet the needs of students across various streams and levels

Electrician (Theory) - II Mr. Rohit Manglik,2024-05-18 EduGorilla Publication is a trusted name in the education sector committed to empowering learners with high quality study materials and resources Specializing in competitive exams and academic support EduGorilla

provides comprehensive and well structured content tailored to meet the needs of students across various streams and levels

Industrial Automation from Scratch Olushola Akande,2023-06-16 Explore industrial automation and control related concepts like the wiring and programming of VFDs and PLCs as well as smart factory Industry 4.0 with this easy to follow guide Get With Your Book PDF Copy AI Assistant and Next Gen Reader Free Key Features Learn the ins and outs of industrial automation and control by taking a pragmatic approach Gain practical insights into automating a manufacturing process using PLCs Discover how to monitor and control an industrial process using HMIs and SCADA Book DescriptionIndustrial automation has become a popular solution for various industries looking to reduce manual labor inputs and costs by automating processes This book helps you discover the abilities necessary for excelling in this field The book starts with the basics of industrial automation before progressing to the application of switches sensors actuators and motors and a direct on line DOL starter and its components such as circuit breakers contactors and overload relay Next you will explore VFDs their parameter settings and how they can be wired and programmed for induction motor control As you advance you will learn the wiring and programming of major industrial automation tools PLCs HMIs and SCADA You will also get to grips with process control and measurements temperature pressure level and flow along with analog signal processing with hands on experience in connecting a 4-20 mA transmitter to a PLC The concluding chapters will help you grasp various industrial network protocols such as FOUNDATION Fieldbus Modbus PROFIBUS PROFINET and HART as well as emerging trends in manufacturing Industry 4.0 and its empowering technologies such as IoT AI and robotics By the end of this book you will have gained a practical understanding of industrial automation concepts for machine automation and control What you will learn Get to grips with the essentials of industrial automation and control Find out how to use industry based sensors and actuators Know about the AC DC servo and stepper motors Get a solid understanding of VFDs PLCs HMIs and SCADA and their applications Explore hands on process control systems including analog signal processing with PLCs Get familiarized with industrial network and communication protocols wired and wireless networks and 5G Explore current trends in manufacturing such as smart factory IoT AI and robotics Who this book is for This book is for both graduates and undergraduates of electrical electronics mechanical mechatronics chemical or computer engineering engineers making a career switch or anyone looking to pursue their career in the field of industrial automation The book covers topics ranging from basic to advanced levels and is a valuable reference for beginner level electrical IIoT automation process instrumentation and control production and maintenance engineers working in manufacturing and oil and gas industries among others **Proceedings of Fifth International Conference on Soft Computing for Problem Solving** Millie Pant,Kusum Deep,Jagdish Chand Bansal,Atulya Nagar,Kedar Nath Das,2016-04-20 The proceedings of SocProS 2015 will serve as an academic bonanza for scientists and researchers working in the field of Soft Computing This book contains theoretical as well as practical aspects using fuzzy logic neural networks evolutionary algorithms swarm intelligence

algorithms etc with many applications under the umbrella of Soft Computing The book will be beneficial for young as well as experienced researchers dealing across complex and intricate real world problems for which finding a solution by traditional methods is a difficult task The different application areas covered in the proceedings are Image Processing Cryptanalysis Industrial Optimization Supply Chain Management Newly Proposed Nature Inspired Algorithms Signal Processing Problems related to Medical and Health Care Networking Optimization Problems etc Electrical Manufacturing ,1990

Thank you very much for downloading **Schematic Pure Sine Wave Inverter Mosfet**. Maybe you have knowledge that, people have look hundreds times for their chosen novels like this Schematic Pure Sine Wave Inverter Mosfet, but end up in infectious downloads.

Rather than reading a good book with a cup of coffee in the afternoon, instead they juggled with some malicious bugs inside their laptop.

Schematic Pure Sine Wave Inverter Mosfet is available in our digital library an online access to it is set as public so you can get it instantly.

Our book servers saves in multiple locations, allowing you to get the most less latency time to download any of our books like this one.

Merely said, the Schematic Pure Sine Wave Inverter Mosfet is universally compatible with any devices to read

https://crm.avenza.com/data/virtual-library/fetch.php/Origine_Du_Nom_De_Famille_Ros_Oeuvres_Courtes.pdf

Table of Contents Schematic Pure Sine Wave Inverter Mosfet

1. Understanding the eBook Schematic Pure Sine Wave Inverter Mosfet
 - The Rise of Digital Reading Schematic Pure Sine Wave Inverter Mosfet
 - Advantages of eBooks Over Traditional Books
2. Identifying Schematic Pure Sine Wave Inverter Mosfet
 - Exploring Different Genres
 - Considering Fiction vs. Non-Fiction
 - Determining Your Reading Goals
3. Choosing the Right eBook Platform
 - Popular eBook Platforms
 - Features to Look for in an Schematic Pure Sine Wave Inverter Mosfet
 - User-Friendly Interface
4. Exploring eBook Recommendations from Schematic Pure Sine Wave Inverter Mosfet

- Personalized Recommendations
 - Schematic Pure Sine Wave Inverter Mosfet User Reviews and Ratings
 - Schematic Pure Sine Wave Inverter Mosfet and Bestseller Lists
5. Accessing Schematic Pure Sine Wave Inverter Mosfet Free and Paid eBooks
 - Schematic Pure Sine Wave Inverter Mosfet Public Domain eBooks
 - Schematic Pure Sine Wave Inverter Mosfet eBook Subscription Services
 - Schematic Pure Sine Wave Inverter Mosfet Budget-Friendly Options
 6. Navigating Schematic Pure Sine Wave Inverter Mosfet eBook Formats
 - ePub, PDF, MOBI, and More
 - Schematic Pure Sine Wave Inverter Mosfet Compatibility with Devices
 - Schematic Pure Sine Wave Inverter Mosfet Enhanced eBook Features
 7. Enhancing Your Reading Experience
 - Adjustable Fonts and Text Sizes of Schematic Pure Sine Wave Inverter Mosfet
 - Highlighting and Note-Taking Schematic Pure Sine Wave Inverter Mosfet
 - Interactive Elements Schematic Pure Sine Wave Inverter Mosfet
 8. Staying Engaged with Schematic Pure Sine Wave Inverter Mosfet
 - Joining Online Reading Communities
 - Participating in Virtual Book Clubs
 - Following Authors and Publishers Schematic Pure Sine Wave Inverter Mosfet
 9. Balancing eBooks and Physical Books Schematic Pure Sine Wave Inverter Mosfet
 - Benefits of a Digital Library
 - Creating a Diverse Reading Collection Schematic Pure Sine Wave Inverter Mosfet
 10. Overcoming Reading Challenges
 - Dealing with Digital Eye Strain
 - Minimizing Distractions
 - Managing Screen Time
 11. Cultivating a Reading Routine Schematic Pure Sine Wave Inverter Mosfet
 - Setting Reading Goals Schematic Pure Sine Wave Inverter Mosfet
 - Carving Out Dedicated Reading Time
 12. Sourcing Reliable Information of Schematic Pure Sine Wave Inverter Mosfet

- Fact-Checking eBook Content of Schematic Pure Sine Wave Inverter Mosfet
 - Distinguishing Credible Sources
13. Promoting Lifelong Learning
- Utilizing eBooks for Skill Development
 - Exploring Educational eBooks
14. Embracing eBook Trends
- Integration of Multimedia Elements
 - Interactive and Gamified eBooks

Schematic Pure Sine Wave Inverter Mosfet Introduction

Schematic Pure Sine Wave Inverter Mosfet Offers over 60,000 free eBooks, including many classics that are in the public domain. Open Library: Provides access to over 1 million free eBooks, including classic literature and contemporary works. Schematic Pure Sine Wave Inverter Mosfet Offers a vast collection of books, some of which are available for free as PDF downloads, particularly older books in the public domain. Schematic Pure Sine Wave Inverter Mosfet : This website hosts a vast collection of scientific articles, books, and textbooks. While it operates in a legal gray area due to copyright issues, its a popular resource for finding various publications. Internet Archive for Schematic Pure Sine Wave Inverter Mosfet : Has an extensive collection of digital content, including books, articles, videos, and more. It has a massive library of free downloadable books. Free-eBooks Schematic Pure Sine Wave Inverter Mosfet Offers a diverse range of free eBooks across various genres. Schematic Pure Sine Wave Inverter Mosfet Focuses mainly on educational books, textbooks, and business books. It offers free PDF downloads for educational purposes. Schematic Pure Sine Wave Inverter Mosfet Provides a large selection of free eBooks in different genres, which are available for download in various formats, including PDF. Finding specific Schematic Pure Sine Wave Inverter Mosfet, especially related to Schematic Pure Sine Wave Inverter Mosfet, might be challenging as theyre often artistic creations rather than practical blueprints. However, you can explore the following steps to search for or create your own Online Searches: Look for websites, forums, or blogs dedicated to Schematic Pure Sine Wave Inverter Mosfet, Sometimes enthusiasts share their designs or concepts in PDF format. Books and Magazines Some Schematic Pure Sine Wave Inverter Mosfet books or magazines might include. Look for these in online stores or libraries. Remember that while Schematic Pure Sine Wave Inverter Mosfet, sharing copyrighted material without permission is not legal. Always ensure youre either creating your own or obtaining them from legitimate sources that allow sharing and downloading. Library Check if your local library offers eBook lending services. Many libraries have digital catalogs where you can borrow Schematic Pure Sine Wave Inverter Mosfet eBooks for free, including popular titles. Online Retailers: Websites

like Amazon, Google Books, or Apple Books often sell eBooks. Sometimes, authors or publishers offer promotions or free periods for certain books. Authors Website Occasionally, authors provide excerpts or short stories for free on their websites. While this might not be the Schematic Pure Sine Wave Inverter Mosfet full book, it can give you a taste of the authors writing style. Subscription Services Platforms like Kindle Unlimited or Scribd offer subscription-based access to a wide range of Schematic Pure Sine Wave Inverter Mosfet eBooks, including some popular titles.

FAQs About Schematic Pure Sine Wave Inverter Mosfet Books

How do I know which eBook platform is the best for me? Finding the best eBook platform depends on your reading preferences and device compatibility. Research different platforms, read user reviews, and explore their features before making a choice. Are free eBooks of good quality? Yes, many reputable platforms offer high-quality free eBooks, including classics and public domain works. However, make sure to verify the source to ensure the eBook credibility. Can I read eBooks without an eReader? Absolutely! Most eBook platforms offer web-based readers or mobile apps that allow you to read eBooks on your computer, tablet, or smartphone. How do I avoid digital eye strain while reading eBooks? To prevent digital eye strain, take regular breaks, adjust the font size and background color, and ensure proper lighting while reading eBooks. What the advantage of interactive eBooks? Interactive eBooks incorporate multimedia elements, quizzes, and activities, enhancing the reader engagement and providing a more immersive learning experience. Schematic Pure Sine Wave Inverter Mosfet is one of the best book in our library for free trial. We provide copy of Schematic Pure Sine Wave Inverter Mosfet in digital format, so the resources that you find are reliable. There are also many Ebooks of related with Schematic Pure Sine Wave Inverter Mosfet. Where to download Schematic Pure Sine Wave Inverter Mosfet online for free? Are you looking for Schematic Pure Sine Wave Inverter Mosfet PDF? This is definitely going to save you time and cash in something you should think about.

Find Schematic Pure Sine Wave Inverter Mosfet :

[origine du nom de famille ros oeuvres courtes](#)

[orphan train by kline club discussion](#)

[orphan runaways the perilous escape to bodie](#)

[orvis guide to fly fishing](#)

[osceola county district pacing guide for](#)

[origine du preacutenom eacuteloi oeuvres courtes](#)

origine du nom de famille tabouret oeuvres courtes

orion 410a manual

[oromay amharic fiction in ethiopia dpwnload](#)

origine du nom de famille nicolai oeuvres courtes

origine du preacutenom maud oeuvres courtes

orion vr0211a manual

orion aspect manual

orphan brigade the sim war book two

ortographic and isometric views unit 9 lesson answers

Schematic Pure Sine Wave Inverter Mosfet :

atlas of robotic prostatectomy ebook by rakuten kobo - Mar 15 2023

web read atlas of robotic prostatectomy by available from rakuten kobo in many centers of excellence in urology robotic prostatectomy has become the first choice for the surgical treatment o

atlas of robotic prostatectomy request pdf researchgate - Feb 14 2023

web jan 1 2013 in the present paper we review the pelvic autonomic neuroanatomy with respect to robotic prostatectomy and demonstrate the procedures and critical points of nerve sparing robotic radical

atlas of robotic prostatectomy - Aug 20 2023

web hardly surprising that in the last decade this robotic assisted technology has expanded its borders well beyond the start up core of urology and cardiac surgery and found its place with a very broad spectrum of surgeons radical prostatectomy is the most performed procedure in robotic urol ogy

atlas of robotic prostatectomy - Jul 19 2023

web last but not least robotic assistance providing magni P cation 3d visualiza tion and almost unrestricted dexterity in the pelvis therefore i am sure that it is exactly the right time for this atlas highlight ing all important steps of the procedure using state of the art video technology including 3d animations

[atlas of robotic prostatectomy 2012th edition amazon com](#) - Jul 07 2022

web aug 20 2012 the information contained in this atlas will be of great value in enabling surgeons to improve their results and to take full advantage of the benefits of robotic prostatectomy compared with open prostatectomy

[atlas of robotic prostatectomy by springer ebook scribd](#) - Oct 10 2022

web read atlas of robotic prostatectomy by springer with a free trial read millions of ebooks and audiobooks on the web ipad iphone and android

robot assisted radical prostatectomy a step by step guide - Jun 18 2023

web may 1 2018 abstract radical prostatectomy remains an important means to treat prostate cancer a major limiting factor to radical prostatectomy is short and long term complications especially incontinence and sexual dysfunction with the advent of robotic radical prostatectomy the ability to easily evaluate technical issues with video has been

robotic prostatectomy procedure efficacy and recovery healthline - Apr 04 2022

web oct 27 2022 one minimally invasive option is robot assisted prostatectomy robotic prostatectomy during this procedure a surgeon removes your prostate by guiding a robotic arm from behind a

atlas of robotic prostatectomy by hubert john goodreads - Mar 03 2022

web jan 1 2012 in many centers of excellence in urology robotic prostatectomy has become the first choice for the surgical treatment of localized prostate cancer owing to benefits such as reduced pain and minimization of impotence and incontinence

atlas of robotic prostatectomy by hubert john overdrive - Sep 09 2022

web aug 20 2012 in many centers of excellence in urology robotic prostatectomy has become the first choice for the surgical treatment of localized prostate cancer owing to benefits such as reduced pain and minimization of impotence and incontinence this atlas

[atlas of robotic prostatectomy researchgate](#) - Dec 12 2022

web jan 1 2013 download citation atlas of robotic prostatectomy time and again the use of innovative surgical techniques confronts anaesthetists with the task of selecting the most suitable type of

atlas of robotic prostatectomy springerlink - Oct 22 2023

web about this book in many centers of excellence in urology robotic prostatectomy has become the first choice for the surgical treatment of localized prostate cancer owing to benefits such as reduced pain and minimization of impotence and incontinence

[robotic prostatectomy procedure recovery and outcome](#) - Jun 06 2022

web jul 7 2023 a robotic prostatectomy is also called a robot assisted laparoscopic radical prostatectomy a surgeon will remove a person s prostate using robotic technology learn more here

robotic prostatectomy johns hopkins medicine - May 05 2022

web robotic prostatectomy is a minimally invasive procedure performed by an experienced laparoscopic surgery team with the assistance of advanced surgical technology robotic surgery system

atlas of robotic urologic surgery springerlink - Apr 16 2023

web atlas of robotic urologic surgery home book editors li ming su written by thought leaders in robotic urologic surgery complimented by figures and intraoperative video detailing the nuances of each procedure includes less commonly performed

surgery illustrated surgical atlas robot assisted ascending - Aug 08 2022

web aug 1 2009 art visual arts illustrator surgery illustrated surgical atlas robot assisted ascending descending laparoscopic nerve sparing prostatectomy source pubmed authors rolf gillitzer joachim

description atlas of robotic prostatectomy library e book - Jan 13 2023

web special situations such as prior prostate surgery a large prostate and salvage prostatectomy are also fully covered the information contained in this atlas will be of great value in enabling surgeons to improve their results and to take full advantage of the benefits of robotic prostatectomy compared with open prostatectomy

atlas of robotic prostatectomy digital searchworks catalog - Nov 11 2022

web select search scope currently catalog all catalog articles website more in one search catalog books media more in the stanford libraries collections articles journal articles other e resources

atlas of robotic prostatectomy google books - Sep 21 2023

web aug 20 2012 the information contained in this atlas will be of great value in enabling surgeons to improve their results and to take full advantage of the benefits of robotic prostatectomy compared with

atlas of robotic prostatectomy request pdf researchgate - May 17 2023

web jan 1 2013 request pdf atlas of robotic prostatectomy in many centers of excellence in urology robotic prostatectomy has become the first choice for the surgical treatment of localized prostate

macmillan english grammar in context intermediate with key pdf - Oct 24 2021

macmillan - Nov 24 2021

macmillan - Dec 26 2021

web student s book and extra practice with key pack language practice for first advanced new edition is an in depth detailed approach to english grammar and vocabulary

elementary language practice with cd rom new - Nov 05 2022

web condition new 3 ed language english brand new book this with key elementary language practice edition is ideal for self study or classroom use it has clear

macmillan english - Feb 25 2022

web macmillan

elementary language practice macmillan key secure4 khronos - Jan 27 2022

web macmillan english grammar in context intermediate with key pdf sign in details

elementary language practice english grammar and - Aug 14 2023

web elementary language practice is an in depth detailed approach to english grammar and vocabulary providing clear grammar explanations plenty of practice and regular review

macmillan english grammar vocabulary elementary - Dec 06 2022

web elementary language practice english grammar and vocabulary with key suitable for students at ket a2 level author michael vince edition 3 publisher macmillan

elementary language practice 3rd edition by michael - Mar 29 2022

web elementary language practice is the reference and practice book for students at elementary a2 level now in full colour this new edition retains all the original features

elementary language practice with key google books - Jan 07 2023

web en uygun elementary language practice with cd rom new 3 edition macmillan ürün ve modelleri macmillan elt markası ve macmillan

elementary language practice with key english grammar and - May 31 2022

web isbn macmillan english 1 language book 9781405013673 download view sample macmillan english level 1 digital teacher s book pack with teacher s resources

elementary language practice with key english grammar and - Jul 01 2022

web elementary language practice english grammar and vocabulary michael vince kevin mcnicholas macmillan 2003 juvenile nonfiction 256 pages in this text particular

elementary language practice google books - Oct 04 2022

web vince michael and kevin mcnicholas elementary language practice with key english grammar and vocabulary oxford macmillan 2003 288 s isbn

elementary language practice with key pdf 17389c94ie9g - Jul 13 2023

web elementary language practice with key pdf 17389c94ie9g 2nd edition macmillan education 2003 288 p language practice isbn 10 1405007648 isbn 13

elementary language practice sb key abebooks - Sep 03 2022

web elementary language practice with key english grammar and vocabulary language practice by vince michael mcnichols

kevin isbn 10 1405007648 isbn 13

language practice series macmillan education - Sep 22 2021

elementary language practice with key english grammar and - Aug 02 2022

web apr 1 2003 elementary language practice with key english grammar and vocabulary language practice vince michael mcnichols kevin on amazon com

language practice new edition macmillan education - Feb 08 2023

web macmillan english grammar vocabulary elementary language practice with key 2 free download as pdf file pdf or view presentation slides online

language practice series macmillan education - Mar 09 2023

web michael vince kevin mcnicholas macmillan 2003 english language 288 pages 0 reviews reviews aren t verified but google checks for and removes fake content when

elementary language practice google books - Apr 29 2022

web without difficulty as fetch manual elementary language practice macmillan key we reimburse for elementary language practice macmillan key and abundant books

macmillan elementary language practice answer key pdf - Jun 12 2023

web macmillan elementary language practice answer key free download as pdf file pdf text file txt or read online for free

elementary language practice with key vince - May 11 2023

web macmillan elementary language practice is an in depth detailed approach to english grammar and vocabulary providing clear grammar explanations plenty of practice and

macmillan elementary language practice language advisor - Apr 10 2023

web language practice series levels samples course information elementary 3rd edition intermediate 3rd edition first 5th edition advanced 4th edition ielts b2 first c1

the art of thinking clearly harpercollins - Nov 12 2022

web may 6 2014 the art of thinking clearly by world class thinker and entrepreneur rolf dobelli is an eye opening look at human psychology and reasoning essential reading for anyone who wants to avoid cognitive errors and make better choices in

the art of thinking clearly better by dobelli rolf - May 06 2022

web the art of thinking clearly by rolf dobelli took 10 days to arrive it is hardback but thick paperback sized 326 pages made up of 99 chapters each of two to three pages originally the text was written as a series short magazine articles so this is in

effect a bound collection all in one place

[the art of thinking clearly rolf dobelli google books](#) - Mar 16 2023

web may 6 2014 the art of thinking clearly rolf dobelli harper collins may 6 2014 psychology 384 pages a world class thinker counts the 100 ways in which humans behave irrationally showing us what we

[the art of thinking clearly by rolf dobelli goodreads](#) - Sep 22 2023

web jan 1 2011 die kunst des klaren denkens the art of thinking clearly rolf dobelli the art of thinking clearly is a 2013 book by the swiss writer rolf dobelli which describes in short chapters 99 of the most common thinking errors ranging from cognitive biases to elements like envy and social distortions

[the art of thinking clearly better thinking better decisions goodreads](#) - May 18 2023

web aug 4 2019 already an international bestseller the art of thinking clearly is essential reading for anyone with important decisions to make it reveals in 100 short chapters the most common errors of judgement and how to avoid them

art of thinking the a guide to critical and creative thought - Sep 10 2022

web jan 23 2014 the art of thinking introduces students to the principles and techniques of critical thinking taking them step by step through the problem solving process emphasizing creative and active thought processes the author asserts that good thinking and problem solving is based on learnable strategies

[art thinking or the importance of inventing point b](#) - Mar 04 2022

web jul 25 2016 art thinking is a process not of going from point a to point b as well as possible but inventing point b in the long run success in business and in almost any area of life requires you

[the art of thinking project gutenbergaustralia](#) - Apr 05 2022

web the art of thinking is the art of being one s self and this art can only be learned if one is by one s self society only produces social thoughts vulgo slogans that is to say words but words endowed with the power of a command solitude produces an exhilaration of consciousness the consciousness of our innermost whatever that may be

the art of thinking the nature institute - Dec 13 2022

web the art of thinking helping students develop their faculties of thinking and observation craig holdrege the ability to question lies at the root of thinking when we truly think and don t just mimic what another person tells us the activity arises out of questions

[the art of thinking by ernest dimnet goodreads](#) - Jul 20 2023

web ernest dimnet 1866 1954 french priest writer and lecturer is the author of the art of thinking a popular book on thinking and reasoning during the 1930s born in france he moved to the united states after the first world war

the art of thinking clearly amazon sg books - Aug 21 2023

web the art of thinking clearly by world class thinker and entrepreneur rolf dobelli is an eye opening look at human psychology and reasoning essential reading for anyone who wants to avoid cognitive errors and make better choices in all aspects of their lives

the art of thinking clearly book review mind about matters - Aug 09 2022

web aug 21 2021 the art of thinking clearly putting unrealized errors in plain sight consider a few scenarios have you invested your first a word on bias broadly when we think of the word bias we immediately think of a strong feeling towards easy to read easy to understand and something for

art of thinking the a guide to critical and creative thought - Feb 15 2023

web feb 23 2015 art of thinking the a guide to critical thought 11th edition select an access option paperback loose leaf 74 66 paperback 106 66 art of thinking the a guide to critical and creative thought isbn 13

the art of thinking clearly summary blinkist - Jun 07 2022

web the art of thinking clearly aims to illuminate our day to day thinking hiccups so that we can better avoid them and start making improved choices using both psychological studies and everyday examples the author provides us with an entertaining collection of all of our most common fallacies

the art of thinking clearly wikipedia - Jun 19 2023

web the art of thinking clearly is a 2013 book by the swiss writer rolf dobelli which describes in short chapters 99 of the most common thinking errors ranging from cognitive biases to envy and social distortions the book was written as weekly columns in leading newspapers in germany the netherlands and switzerland and later in

the art of thinking google books - Jan 14 2023

web feb 5 2002 the art of thinking will expand your repertoire of strategies for asking questions making decisions getting along with people and solving problems by learning why you think the way you do and gaining surprising new insight into the thinking styles of others you ll be able to get past obstacles turn conflict into cooperation and enjoy

the art of thinking clearly by dobelli rolf amazon com - Jul 08 2022

web may 6 2014 the art of thinking clearly by world class thinker and entrepreneur rolf dobelli is an eye opening look at human psychology and reasoning essential reading for anyone who wants to avoid cognitive errors and make better choices in

the art of thinking amazon com - Oct 11 2022

web may 23 2017 the art of thinking paperback may 23 2017 dimnet s classic on the art of thinking is here finally back in print it provides the most useful tips and advice on how to improve one s mind improve concentration and thinking better and even answers some timeless and all important questions such as how do i be myself and how

the art of thinking a guide to critical and creative thought goodreads - Apr 17 2023

web nov 1 1987 the art of thinking is a comprehensive guide to critical and creative thinking that emphasizes what to do rather than what to avoid doing this text introduces students to the principles and techniques of creative thinking teaches them how to evaluate their own ideas as well as the ideas of others and shows them how to persuade

the art of thinking a guide to critical and creative thought - Oct 23 2023

web the art of thinking a guide to critical and creative thought by ruggiero vincent ryan publication date 2012 topics logic reasoning thought and thinking publisher boston pearson learning solutions