

Bookmarks

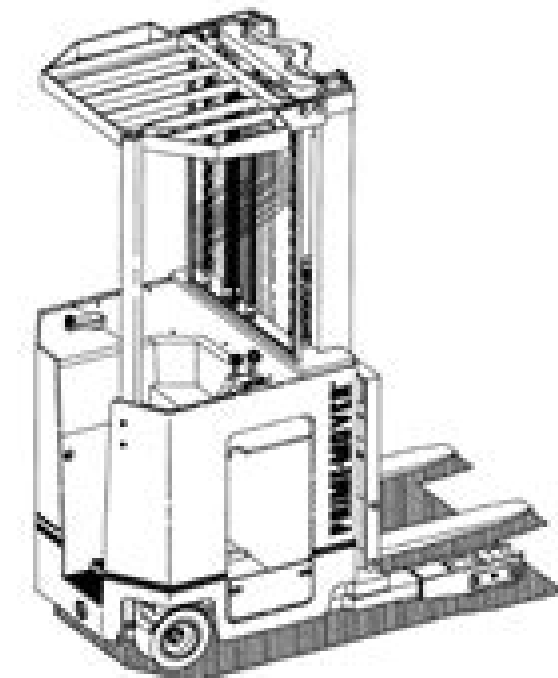
- Front Cover
- Parts Ordering Instructions
- General Information
- Alphabetical Index
- Figure # 1 Decal and Parts Assembly
- Figure # 2 Parts List and Service Reference Index
- Figure # 3 Shielding Assembly
- Figure # 4 Emergency Disconnect Assembly
- Figure # 5 Auxiliary Control Assembly
- Figure # 6 Hand Lift/Lower and Speed Control
- Figure # 7 Master Control Switch
- Figure # 8 Brake Linkage and Cylinder Assembly
- Figure # 9 Brake Master Cylinder
- Figure # 10 Drive Motor Brake Cylinder
- Figure # 11 Idler Wheel Brake Cylinder
- Figure # 12 Steering Control Assembly

RS-50B PARTS MANUAL

RS-50B STRADDLE TRUCK

RS-50B

Effective Serial Number: R50B10073



WARNING Read and observe all warnings on the unit before operating it. Do not operate this equipment unless all factory-installed guards and shields are properly secured in place.

ISSUED AUGUST 1998
[Return](#)

PRIME-MOVER

Pioneer 50b Manual

M Mark



Pioneer 50b Manual:

Civil Pilot Training Manual United States. Civil Aeronautics Administration, Jack R. Cram, Daniel Johnson Brimm, David Locke Webster, 1941 **Pioneer Instruments Overhaul Manual** Bendix Corporation. Eclipse-Pioneer Division, 1944

The Minnesota Legislative Manual Minnesota. Secretary of State, 1991 Includes the Minnesota state and the United States constitution historical and current events biographies of legislators directory for federal state regional and local government officials and election statistics and voter turnout maps *Catalog of Copyright Entries. Third Series* Library of Congress. Copyright Office, 1947 Includes Part 1A Books Part 1B Pamphlets Serials and Contributions to Periodicals and Part 2 Periodicals Part 2 Periodicals incorporates Part 2 Volume 41 1946 New Series *Newsweek* Raymond Moley, Samuel Thurston Williamson, Malcolm Muir, Rex Smith, Joseph Becker Phillips, 1989 *Beach Management Manual* J. D. Simmonds, A. H. Brampton, N. W. Beech, J. S. Brooke, 1996 This manual provides comprehensive guidance for both the specialist and the non specialist focusing on the management of the beach as a coastal defence **Books and Pamphlets, Including Serials and Contributions to Periodicals** Library of Congress. Copyright Office, 1966-07 *Catalogue of Title-entries of Books and Other Articles Entered in the Office of the Librarian of Congress, at Washington, Under the Copyright Law ... Wherein the Copyright Has Been Completed by the Deposit of Two Copies in the Office* Library of Congress. Copyright Office, 1978

Catalog of Copyright Entries, Third Series Library of Congress. Copyright Office, 1947 , *Gramophone* , 1981

Hi-fi News & Record Review , 1981 *Notes Music Library Association*, 1986 *The Gramophone* , 1981 **Roads and Streets** , 1972-07 Issues for include section Bituminous roads and streets *April 2024 - Surplus Record Machinery & Equipment* Thomas Scanlan, SURPLUS RECORD is the leading independent business directory of new and used capital equipment machine tools machinery and industrial equipment listing over 150 000 industrial assets since 1924 including metalworking and fabricating machine tools lathes cnc equipment machine centers woodworking equipment food equipment chemical and process equipment cranes air compressors pumps motors circuit breakers generators transformers turbines and more Over 1 100 businesses list with the SURPLUS RECORD November 2023 issue Vol 101 No 4 **Aerospace Year Book** , 1945 **Highway & Heavy Construction** , 1972 *Welding and Metal Fabrication* , 1958 Issues for Mar 1935 Dec 1944 include reports etc of the Institute of Welding *United States Code Annotated* United States, 1956

Unveiling the Magic of Words: A Review of "**Pioneer 50b Manual**"

In a global defined by information and interconnectivity, the enchanting power of words has acquired unparalleled significance. Their ability to kindle emotions, provoke contemplation, and ignite transformative change is actually awe-inspiring. Enter the realm of "**Pioneer 50b Manual**," a mesmerizing literary masterpiece penned with a distinguished author, guiding readers on a profound journey to unravel the secrets and potential hidden within every word. In this critique, we shall delve into the book's central themes, examine its distinctive writing style, and assess its profound effect on the souls of its readers.

<https://crm.avenza.com/About/uploaded-files/fetch.php/New%20Tatting%20Modern%20Lace%20Motifs%20And%20Projects.pdf>

Table of Contents Pioneer 50b Manual

1. Understanding the eBook Pioneer 50b Manual
 - The Rise of Digital Reading Pioneer 50b Manual
 - Advantages of eBooks Over Traditional Books
2. Identifying Pioneer 50b Manual
 - Exploring Different Genres
 - Considering Fiction vs. Non-Fiction
 - Determining Your Reading Goals
3. Choosing the Right eBook Platform
 - Popular eBook Platforms
 - Features to Look for in an eBook
 - User-Friendly Interface
4. Exploring eBook Recommendations from Pioneer 50b Manual
 - Personalized Recommendations
 - eBook User Reviews and Ratings

- Pioneer 50b Manual and Bestseller Lists
- 5. Accessing Pioneer 50b Manual Free and Paid eBooks
 - Pioneer 50b Manual Public Domain eBooks
 - Pioneer 50b Manual eBook Subscription Services
 - Pioneer 50b Manual Budget-Friendly Options
- 6. Navigating Pioneer 50b Manual eBook Formats
 - ePub, PDF, MOBI, and More
 - Pioneer 50b Manual Compatibility with Devices
 - Pioneer 50b Manual Enhanced eBook Features
- 7. Enhancing Your Reading Experience
 - Adjustable Fonts and Text Sizes of Pioneer 50b Manual
 - Highlighting and Note-Taking Pioneer 50b Manual
 - Interactive Elements Pioneer 50b Manual
- 8. Staying Engaged with Pioneer 50b Manual
 - Joining Online Reading Communities
 - Participating in Virtual Book Clubs
 - Following Authors and Publishers Pioneer 50b Manual
- 9. Balancing eBooks and Physical Books Pioneer 50b Manual
 - Benefits of a Digital Library
 - Creating a Diverse Reading Collection Pioneer 50b Manual
- 10. Overcoming Reading Challenges
 - Dealing with Digital Eye Strain
 - Minimizing Distractions
 - Managing Screen Time
- 11. Cultivating a Reading Routine Pioneer 50b Manual
 - Setting Reading Goals Pioneer 50b Manual
 - Carving Out Dedicated Reading Time
- 12. Sourcing Reliable Information of Pioneer 50b Manual
 - Fact-Checking eBook Content of Pioneer 50b Manual
 - Distinguishing Credible Sources

13. Promoting Lifelong Learning
 - Utilizing eBooks for Skill Development
 - Exploring Educational eBooks
14. Embracing eBook Trends
 - Integration of Multimedia Elements
 - Interactive and Gamified eBooks

Pioneer 50b Manual Introduction

In today's digital age, the availability of Pioneer 50b Manual books and manuals for download has revolutionized the way we access information. Gone are the days of physically flipping through pages and carrying heavy textbooks or manuals. With just a few clicks, we can now access a wealth of knowledge from the comfort of our own homes or on the go. This article will explore the advantages of Pioneer 50b Manual books and manuals for download, along with some popular platforms that offer these resources. One of the significant advantages of Pioneer 50b Manual books and manuals for download is the cost-saving aspect. Traditional books and manuals can be costly, especially if you need to purchase several of them for educational or professional purposes. By accessing Pioneer 50b Manual versions, you eliminate the need to spend money on physical copies. This not only saves you money but also reduces the environmental impact associated with book production and transportation. Furthermore, Pioneer 50b Manual books and manuals for download are incredibly convenient. With just a computer or smartphone and an internet connection, you can access a vast library of resources on any subject imaginable. Whether you're a student looking for textbooks, a professional seeking industry-specific manuals, or someone interested in self-improvement, these digital resources provide an efficient and accessible means of acquiring knowledge. Moreover, PDF books and manuals offer a range of benefits compared to other digital formats. PDF files are designed to retain their formatting regardless of the device used to open them. This ensures that the content appears exactly as intended by the author, with no loss of formatting or missing graphics. Additionally, PDF files can be easily annotated, bookmarked, and searched for specific terms, making them highly practical for studying or referencing. When it comes to accessing Pioneer 50b Manual books and manuals, several platforms offer an extensive collection of resources. One such platform is Project Gutenberg, a nonprofit organization that provides over 60,000 free eBooks. These books are primarily in the public domain, meaning they can be freely distributed and downloaded. Project Gutenberg offers a wide range of classic literature, making it an excellent resource for literature enthusiasts. Another popular platform for Pioneer 50b Manual books and manuals is Open Library. Open Library is an initiative of the Internet Archive, a non-profit organization dedicated to digitizing cultural artifacts and making them accessible to the public. Open Library hosts millions of books, including both public domain works

and contemporary titles. It also allows users to borrow digital copies of certain books for a limited period, similar to a library lending system. Additionally, many universities and educational institutions have their own digital libraries that provide free access to PDF books and manuals. These libraries often offer academic texts, research papers, and technical manuals, making them invaluable resources for students and researchers. Some notable examples include MIT OpenCourseWare, which offers free access to course materials from the Massachusetts Institute of Technology, and the Digital Public Library of America, which provides a vast collection of digitized books and historical documents. In conclusion, Pioneer 50b Manual books and manuals for download have transformed the way we access information. They provide a cost-effective and convenient means of acquiring knowledge, offering the ability to access a vast library of resources at our fingertips. With platforms like Project Gutenberg, Open Library, and various digital libraries offered by educational institutions, we have access to an ever-expanding collection of books and manuals. Whether for educational, professional, or personal purposes, these digital resources serve as valuable tools for continuous learning and self-improvement. So why not take advantage of the vast world of Pioneer 50b Manual books and manuals for download and embark on your journey of knowledge?

FAQs About Pioneer 50b Manual Books

How do I know which eBook platform is the best for me? Finding the best eBook platform depends on your reading preferences and device compatibility. Research different platforms, read user reviews, and explore their features before making a choice. Are free eBooks of good quality? Yes, many reputable platforms offer high-quality free eBooks, including classics and public domain works. However, make sure to verify the source to ensure the eBook credibility. Can I read eBooks without an eReader? Absolutely! Most eBook platforms offer webbased readers or mobile apps that allow you to read eBooks on your computer, tablet, or smartphone. How do I avoid digital eye strain while reading eBooks? To prevent digital eye strain, take regular breaks, adjust the font size and background color, and ensure proper lighting while reading eBooks. What the advantage of interactive eBooks? Interactive eBooks incorporate multimedia elements, quizzes, and activities, enhancing the reader engagement and providing a more immersive learning experience. Pioneer 50b Manual is one of the best book in our library for free trial. We provide copy of Pioneer 50b Manual in digital format, so the resources that you find are reliable. There are also many Ebooks of related with Pioneer 50b Manual. Where to download Pioneer 50b Manual online for free? Are you looking for Pioneer 50b Manual PDF? This is definitely going to save you time and cash in something you should think about. If you trying to find then search around for online. Without a doubt there are numerous these available and many of them have the freedom. However without doubt you receive whatever you purchase. An alternate way to get ideas is always to check another Pioneer 50b Manual. This method for see exactly what may be included and adopt these

ideas to your book. This site will almost certainly help you save time and effort, money and stress. If you are looking for free books then you really should consider finding to assist you try this. Several of Pioneer 50b Manual are for sale to free while some are payable. If you arent sure if the books you would like to download works with for usage along with your computer, it is possible to download free trials. The free guides make it easy for someone to free access online library for download books to your device. You can get free download on free trial for lots of books categories. Our library is the biggest of these that have literally hundreds of thousands of different products categories represented. You will also see that there are specific sites catered to different product types or categories, brands or niches related with Pioneer 50b Manual. So depending on what exactly you are searching, you will be able to choose e books to suit your own need. Need to access completely for Campbell Biology Seventh Edition book? Access Ebook without any digging. And by having access to our ebook online or by storing it on your computer, you have convenient answers with Pioneer 50b Manual To get started finding Pioneer 50b Manual, you are right to find our website which has a comprehensive collection of books online. Our library is the biggest of these that have literally hundreds of thousands of different products represented. You will also see that there are specific sites catered to different categories or niches related with Pioneer 50b Manual So depending on what exactly you are searching, you will be able to choose ebook to suit your own need. Thank you for reading Pioneer 50b Manual. Maybe you have knowledge that, people have search numerous times for their favorite readings like this Pioneer 50b Manual, but end up in harmful downloads. Rather than reading a good book with a cup of coffee in the afternoon, instead they juggled with some harmful bugs inside their laptop. Pioneer 50b Manual is available in our book collection an online access to it is set as public so you can download it instantly. Our digital library spans in multiple locations, allowing you to get the most less latency time to download any of our books like this one. Merely said, Pioneer 50b Manual is universally compatible with any devices to read.

Find Pioneer 50b Manual :

[new tatting modern lace motifs and projects](#)

new syllabus mathematics 6th edition 2 solved

[new york times college essays](#)

[new york state living envirnment biodiversity lab](#)

nfsfas and funza

nextar ma933a manual

new home 694fa sewing machine manual

nextel i3user guide

[nfl super bowl hilarious fails memes funny stuff english edition](#)

[new home sewing machine 2122 manual](#)

[nextel blackberry curve user manual](#)

[new telecom networks enterprises and security iste](#)

[newspaper page with essays](#)

[new holland tn55 tn65 tn70 tn75 tractor workshop manual](#)

[new home sewing machine model 921 manual](#)

Pioneer 50b Manual :

A Queer Thing Happened to America: And ... A Queer Thing Happened to America chronicles the amazing transformation of America over the last forty years, and addresses the question head-on: Is there ... A Queer Thing Happened To America: And what a long ... A Queer Thing Happened to America chronicles the dramatic cultural changes that have taken place in our country in relation to homosexuality and pointedly ... A Queer Thing Happened to America: And What a Long ... A Queer Thing Happened to America chronicles the amazing transformation of America over the last forty years, and addresses the question Is there really a gay ... By Michael L. Brown - A Queer Thing Happened to America Michael Brown is a Jewish believer in Jesus (he came to faith in 1971 as a heroin-shooting, LSD-using, hippie rock drummer) and he holds a Ph.D. in Near ... A Queer Thing Happened To America (Hardcover) A Queer Thing Happened to America chronicles the amazing transformation of America over the last forty years, literally, from Stonewall Inn to the White House, ... A Queer Thing Happened to America: And What a Long, ... A Queer Thing Happened to America chronicles the amazing transformation of America over the last forty years, and addresses the question head-on: Is there ... A Queer Thing Happened to America - Denver Journal Michael L. Brown, A Queer Thing Happened to America: And what a long, strange trip it's been, 1st ed. Concord, NC, 2011. 691 pages. \$ 24.10. Hardcover. michael brown - queer thing happened america what A Queer Thing Happened to America : And What a Long, Strange Trip It's Been. Brown, Michael L. ISBN 13: 9780615406091. Seller: Better World Books: West A Queer Thing Happened to America by Michael L. Brown A Queer Thing Happened to America chronicles the amazing transformation of America over the last forty years, and addresses the question head-on: Is there ... A Queer Thing Happened to America: And What a Long ... Renée Richards (née Richard Raskind), who had sex change surgery and who came to have lots of regrets (pp. 574-78). Brown shows real examples of how the ... Marketing Estrategico - 3b: Edicion (Spanish Edition) Marketing Estrategico - 3b: Edicion (Spanish Edition) ; US\$16.99 ; Seguridad del juguete. Nuestra edad recomendada: ; Idioma, Español ; ISBN-10, 8448116119 ; ISBN- ... Marketing estratégico y operativo (Spanish Edition) ... McGraw-Hill Interamericana Editores S.A. de C.V.; 2nd edición (11 Mayo 2009). Idioma, Español. Tapa blanda, 620

páginas. ISBN-10, 970106710X. ISBN-13, 978 ... Marketing Estrategico Lambin Mcgraw Hill 3ra Edicion Pdf Page 1. Marketing Estrategico Lambin Mcgraw Hill 3ra. Edicion Pdf. INTRODUCTION Marketing Estrategico Lambin Mcgraw Hill. 3ra Edicion Pdf [PDF] marketing estrategico. 3 edicion MARKETING ESTRATEGICO. 3 EDICION. LAMBIN, JEAN JACQUES. 45,95 €. IVA incluido. No disponible Pregúntanos antes de pagar. Editorial: MCGRAW-HILL; Materia ... Libro-Marketing-Estrategico-lambin-jean-jacques MARKETING ESTRATÉGICO -OBJETIVO.-un análisis sistemático y permanente de las necesidades del mercado y el desarrollo de conceptos de productos rentables ... Marketing Estrategico Lambin Mcgraw Hill 3ra Edicion Diagnóstico del marketing del producto Golf en la instalación ... - Gestipolis. Planificación Estratégica de Marketing para un negocio - Gestipolis. MARKETING ESTRATEGICO 3ª ED - JEAN JACQUES ... Jean Jacques Lambin. Editorial, McGraw-Hill Interamericana de España S.L.. Edición, 1. ed.(01/07/1995). Páginas, 608. Dimensiones, 24x17 cm. Idioma, Español. MARKETING ESTRATEGICO | JEAN JACQUES LAMBIN Sinopsis de MARKETING ESTRATEGICO ; Encuadernación: Tapa blanda ; ISBN: 9788473563529 ; Año de edición: 2003 ; Plaza de edición: ESPAÑA ; Fecha de lanzamiento: 07/10 ... Marketing estratégico Madrid: McGraw-Hill, 1995; Edición: 3a. ed. Notas: -- Edición traducida por Salvador Miquel y Antonio Carlos Cuenca. Revisado por Jaime Rivera y Nora Lado ... Liberty Tax School Flashcards Study with Quizlet and memorize flashcards containing terms like 28% rate gain, 401(k) Plan, Abstract fees and more. 21.Final Exam 2009 - Liberty Tax Service Online Basic... View Test prep - 21.Final Exam 2009 from ACCOUNTING 401 at Liberty University. Liberty Tax Service Online Basic Income Tax Course. FINAL 1 Chapter 19 ... Tax Preparer Final Exam Review Flashcards Final Exam Review Learn with flashcards, games, and more — for free. Basic Income Tax Course Final Exam Basic Income Tax Course Exam. Answer Key. Question Answer Page Ref. Question Answer Page Ref. Question Answer Page Ref. 1. D. 1.19. 51. B. 3.6. 101. D. 8.1. 2. Tax Preparation School - Courses and Classes Liberty Tax Service's tuition-free tax school offers income tax preparation courses and classes locally and virtually. Learn to prepare and file taxes ... Liberty Tax Service's Tax Preparer Certification Test - ... View Notes - 7 from ACC 325 at CUNY College of Staten Island. Liberty Tax Service's Tax Preparer Certification Test - Level 1 This section will focus on ... Federal Income Taxes Final Exam Test and improve your knowledge of Federal Income Taxes with fun multiple choice exams you can take online with Study.com. After taking the Liberty Tax Rapid Course, will I be ... Dec 13, 2016 — Find 26 answers to 'After taking the Liberty Tax Rapid Course, will I be obligated to continue to work for them after the first season or ... Module 1 Final Exam - Part Imannys answers Module 1 Final Exam - Part Imannys answers. Course: Comprehensive Tax course (2022FM1) ... income tax withheld, they should write “Exempt” in the space below step ... Liberty Tax Service Online Basic Income Tax Course. ... Mar 21, 2014 — Liberty Tax Service Online Basic Income Tax Course. Lesson 6 . HOMEWORK CHAPTER 5. HOMEWORK 1: Henry H. (SSN 288-40-1920, born 3/18/1967) ...