

5. Fuel System

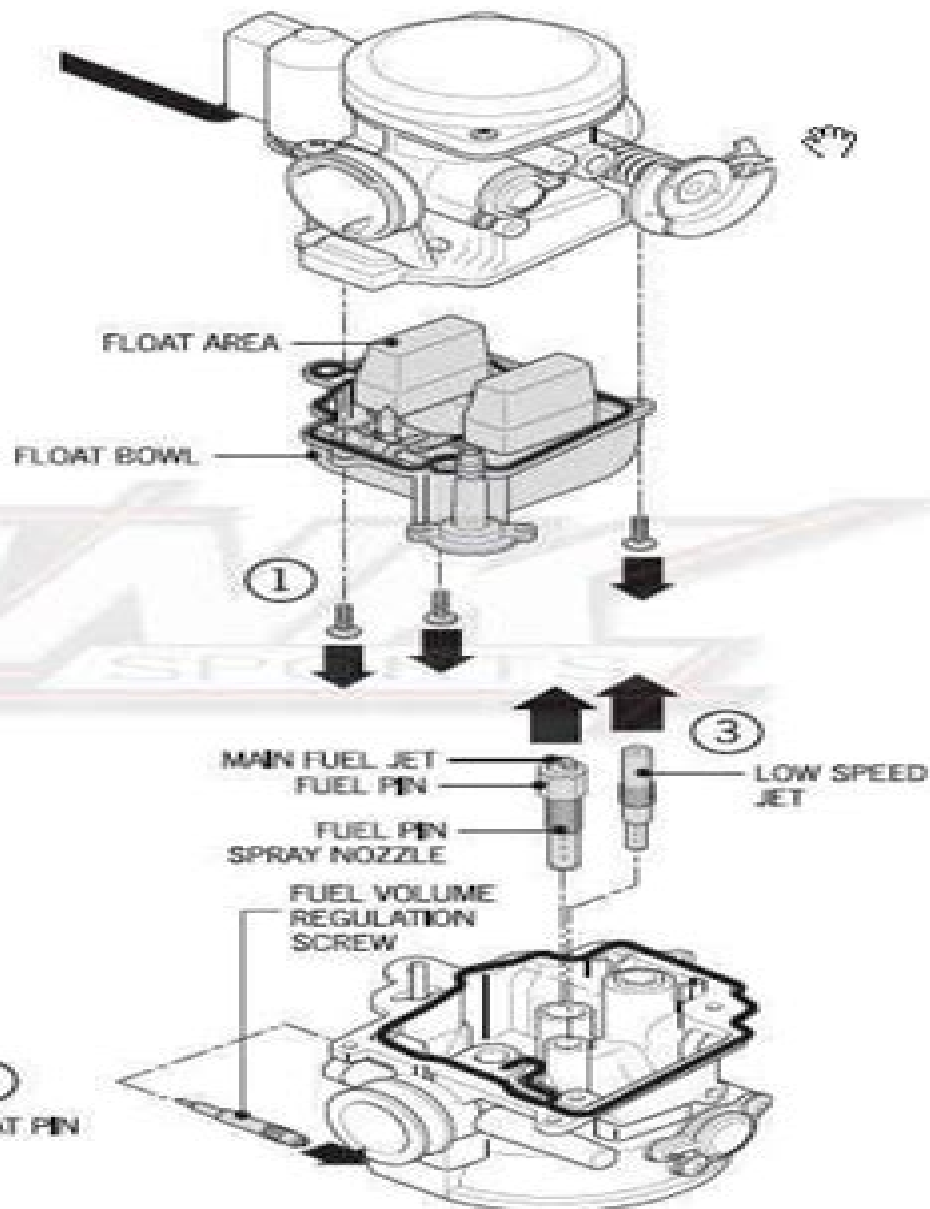
Float Bowl

Disassembling

1. Disassemble three screws and take off float bowl.
2. Remove float pin spring.
3. Remove high-speed jet, low-speed jet and fuel volume control screw.

- ⦿ Be careful not to break the fuel jets and control screw.
- ⦿ Count the turns when removing the fuel volume control screw.
- ⦿ When reinstalling jets and screws, do not over tighten.

4. Clean jets with solvent and compressed air.
5. Clean body of carburetor by blowing air through all passages.



Roketa 50cc Scooter Owners Manual

Pete Shoemark



Roketa 50cc Scooter Owners Manual:

Scooters, Automatic Transmission 50 to 250cc John Haynes, 2018-05-01 Each Haynes manual provides specific and detailed instructions for performing everything from basic maintenance and troubleshooting to a complete overhaul of the machine This manual features instructions on maintaining the automatic transmission on your 50cc to 250cc scooter Do it yourselfers will find this service and repair manual more comprehensive than the factory manual making it an indispensable part of their tool box

Piaggio/Vespa Scooters Matthew Coombs, 1998 This is one in a series of manuals for car or motorcycle owners Each book provides information on routine maintenance and servicing with tasks described and photographed in a step by step sequence so that even a novice can do the work

[Scooters, Automatic Transmission 50 to 250cc](#) John Haynes, 2018-05-01 Each Haynes manual provides specific and detailed instructions for performing everything from basic maintenance and troubleshooting to a complete overhaul of the machine This manual features instructions on maintaining the automatic transmission on your 50cc to 250cc scooter Do it yourselfers will find this service and repair manual more comprehensive than the factory manual making it an indispensable part of their tool box

The Book of the Vespa - An Owners Workshop Manual for 125cc and 150cc Vespa Scooters 1951-1961 J. Emmot, Floyd

Clymer, Velocepress, 2008-10-01 82 pages 30 illustrations size 5.5 x 8.5 inches Originally published in 1962 by Floyd Clymer this manual includes complete technical data service and maintenance information and detailed instructions for the repair and overhaul of the major mechanical and electrical components for all 125cc and 150cc widemount engined Vespa Scooters from 1951 through 1961 beginning with the Vespa 125 VM1T through the GS150 VS51T it also covers the Douglas 42L2 and Clubman There is adequate detailed text and diagrams to assist in major refurbishing such as an engine rebuild or even a complete mechanical renovation making it an invaluable resource for collectors and restorers of these classic Vespa scooters

How to Repair Your Scooter James Manning Michels, 2012-07-14 Presents step by step instructions for repairing and maintaining the mechanical and electrical systems of motor scooters

[Twist & Go \(automatic Trans\) Scooter Service and Repair Manual](#) Phil Mather, 2011

[Kymco Agility & Super 8 Scooters, '05-'15](#) Haynes Publishing, 2017-04-25 The Kymco Agility Super 8 Scooters 05 15 repair manual like every Haynes scooter manual is written and photographed from hands on experience gained by a complete tear down and rebuild of the vehicle The first Haynes manual was written this way over 55 years ago and Haynes continues to produce all manuals this way making Haynes the world leader in repair information

[Wipac \(Combined\) Number 3 Manual and Motorcycle & Scooter Manual 1950-1969](#) Wipac Group, Velocepress, 2022-05-16 196 pages with more than 400 illustrations and charts plus 77 wiring diagrams size 8.25 x 10.75 inches This manual is a must have for any owner of a 1950 through 1969 motorcycle scooter or moped equipped with a Wipac electrical system Wipac issued two ring bound versions of this manual The first was titled Number 3 Manual and the second Motorcycle Scooter Manual but unfortunately the publication dates of the individual pages were not identified However based on the contents we

can estimate that they were published in 1964 and 1969 approximately The later manual contains considerably more information plus numerous updates to the data in the earlier manual Unfortunately some of the information from the earlier manual was also omitted from the later manual as it was probably considered to be outdated However as that outdated information is of significant interest to today s owners and restorers we have combined the entire data from both manuals into a single publication Please note that wherever the earlier data had been updated we have only included the latest update in order to prevent duplication of information This combination manual includes alternator and generator testing and servicing instructions spare parts illustrations and part numbers plus Technical Data Sheets and Service Bulletins that provide additional information due to model updates and or electronic equipment modifications It also includes wiring diagrams by individual model type including A J S Ariel B S A Dayton Dunkley Excelsior Francis Barnett James Matchless Norton Piatti Raleigh mopeds and Triumph The entire content of this publication is devoted to the operation testing servicing maintenance overhaul and adjustment of all the major Wipac electrical components utilized by the various manufacturers listed above Out of print and unavailable for many years these manuals are extremely difficult to find on the secondary market and we are pleased to be able to offer this combined reproduction as a service to all owners restorers and enthusiasts of 1950 1969 Wipac equipped motorcycles scooters and mopeds Wiring diagrams that are included by manufacturer and model type A J S Model 14 14S 14CS 14CSR Model 8 ARIEL Colt Pixie B S A C10L Bantam Dandy Sunbeam Scooter Beagle DAYTON Flamenco Scooter Albatross Scooter DUNKLEY Whippet Scooterette EXCELSIOR Talisman FRANCIS BARNETT Cruiser 80 Trials 83 Cruiser 84 Trials 85 Plover 86 Falcon 87 Model 88 Cruiser 89 Cruiser 91 Trim JAMES Commodore Super Swift Comet Scooter Flying Cadet Captain M I5 M 16 MATCHLESS Model G2 G5 G2S G2CS G2CSR NORTON Jubilee Navigator Electra PIATTI Scooter RALEIGH Moped RM 8 RM 9 TRIUMPH T10 Scooter T20 Super Cub Tina Scooter

Vespa P/PX 125, 150 & 200 Owners Workshop Manual Pete Shoemark,1988 **Vespa P/PX 125, 150 & 200** Haynes Publishing,Pete Shoemark,1995 This Vespa owner s manual illustrated with photographs and line drawings provides comprehensive advice on routine maintenance and fault diagnosis using common tools

Ignite the flame of optimism with Crafted by is motivational masterpiece, Find Positivity in **Roketa 50cc Scooter Owners Manual** . In a downloadable PDF format (Download in PDF: *), this ebook is a beacon of encouragement. Download now and let the words propel you towards a brighter, more motivated tomorrow.

https://crm.avenza.com/files/book-search/Download_PDFS/Scly3%20June%202013%20Question%20Paper.pdf

Table of Contents Roketa 50cc Scooter Owners Manual

1. Understanding the eBook Roketa 50cc Scooter Owners Manual
 - The Rise of Digital Reading Roketa 50cc Scooter Owners Manual
 - Advantages of eBooks Over Traditional Books
2. Identifying Roketa 50cc Scooter Owners Manual
 - Exploring Different Genres
 - Considering Fiction vs. Non-Fiction
 - Determining Your Reading Goals
3. Choosing the Right eBook Platform
 - Popular eBook Platforms
 - Features to Look for in an Roketa 50cc Scooter Owners Manual
 - User-Friendly Interface
4. Exploring eBook Recommendations from Roketa 50cc Scooter Owners Manual
 - Personalized Recommendations
 - Roketa 50cc Scooter Owners Manual User Reviews and Ratings
 - Roketa 50cc Scooter Owners Manual and Bestseller Lists
5. Accessing Roketa 50cc Scooter Owners Manual Free and Paid eBooks
 - Roketa 50cc Scooter Owners Manual Public Domain eBooks
 - Roketa 50cc Scooter Owners Manual eBook Subscription Services
 - Roketa 50cc Scooter Owners Manual Budget-Friendly Options
6. Navigating Roketa 50cc Scooter Owners Manual eBook Formats

- ePub, PDF, MOBI, and More
 - Roketa 50cc Scooter Owners Manual Compatibility with Devices
 - Roketa 50cc Scooter Owners Manual Enhanced eBook Features
7. Enhancing Your Reading Experience
 - Adjustable Fonts and Text Sizes of Roketa 50cc Scooter Owners Manual
 - Highlighting and Note-Taking Roketa 50cc Scooter Owners Manual
 - Interactive Elements Roketa 50cc Scooter Owners Manual
 8. Staying Engaged with Roketa 50cc Scooter Owners Manual
 - Joining Online Reading Communities
 - Participating in Virtual Book Clubs
 - Following Authors and Publishers Roketa 50cc Scooter Owners Manual
 9. Balancing eBooks and Physical Books Roketa 50cc Scooter Owners Manual
 - Benefits of a Digital Library
 - Creating a Diverse Reading Collection Roketa 50cc Scooter Owners Manual
 10. Overcoming Reading Challenges
 - Dealing with Digital Eye Strain
 - Minimizing Distractions
 - Managing Screen Time
 11. Cultivating a Reading Routine Roketa 50cc Scooter Owners Manual
 - Setting Reading Goals Roketa 50cc Scooter Owners Manual
 - Carving Out Dedicated Reading Time
 12. Sourcing Reliable Information of Roketa 50cc Scooter Owners Manual
 - Fact-Checking eBook Content of Roketa 50cc Scooter Owners Manual
 - Distinguishing Credible Sources
 13. Promoting Lifelong Learning
 - Utilizing eBooks for Skill Development
 - Exploring Educational eBooks
 14. Embracing eBook Trends
 - Integration of Multimedia Elements
 - Interactive and Gamified eBooks

Roketa 50cc Scooter Owners Manual Introduction

Free PDF Books and Manuals for Download: Unlocking Knowledge at Your Fingertips In today's fast-paced digital age, obtaining valuable knowledge has become easier than ever. Thanks to the internet, a vast array of books and manuals are now available for free download in PDF format. Whether you are a student, professional, or simply an avid reader, this treasure trove of downloadable resources offers a wealth of information, conveniently accessible anytime, anywhere. The advent of online libraries and platforms dedicated to sharing knowledge has revolutionized the way we consume information. No longer confined to physical libraries or bookstores, readers can now access an extensive collection of digital books and manuals with just a few clicks. These resources, available in PDF, Microsoft Word, and PowerPoint formats, cater to a wide range of interests, including literature, technology, science, history, and much more. One notable platform where you can explore and download free Roketa 50cc Scooter Owners Manual PDF books and manuals is the internet's largest free library. Hosted online, this catalog compiles a vast assortment of documents, making it a veritable goldmine of knowledge. With its easy-to-use website interface and customizable PDF generator, this platform offers a user-friendly experience, allowing individuals to effortlessly navigate and access the information they seek. The availability of free PDF books and manuals on this platform demonstrates its commitment to democratizing education and empowering individuals with the tools needed to succeed in their chosen fields. It allows anyone, regardless of their background or financial limitations, to expand their horizons and gain insights from experts in various disciplines. One of the most significant advantages of downloading PDF books and manuals lies in their portability. Unlike physical copies, digital books can be stored and carried on a single device, such as a tablet or smartphone, saving valuable space and weight. This convenience makes it possible for readers to have their entire library at their fingertips, whether they are commuting, traveling, or simply enjoying a lazy afternoon at home. Additionally, digital files are easily searchable, enabling readers to locate specific information within seconds. With a few keystrokes, users can search for keywords, topics, or phrases, making research and finding relevant information a breeze. This efficiency saves time and effort, streamlining the learning process and allowing individuals to focus on extracting the information they need. Furthermore, the availability of free PDF books and manuals fosters a culture of continuous learning. By removing financial barriers, more people can access educational resources and pursue lifelong learning, contributing to personal growth and professional development. This democratization of knowledge promotes intellectual curiosity and empowers individuals to become lifelong learners, promoting progress and innovation in various fields. It is worth noting that while accessing free Roketa 50cc Scooter Owners Manual PDF books and manuals is convenient and cost-effective, it is vital to respect copyright laws and intellectual property rights. Platforms offering free downloads often operate within legal boundaries, ensuring that the materials they provide are either in the public domain or authorized for distribution. By adhering to copyright laws, users can enjoy the benefits of free access to knowledge while supporting the authors and

publishers who make these resources available. In conclusion, the availability of Roketa 50cc Scooter Owners Manual free PDF books and manuals for download has revolutionized the way we access and consume knowledge. With just a few clicks, individuals can explore a vast collection of resources across different disciplines, all free of charge. This accessibility empowers individuals to become lifelong learners, contributing to personal growth, professional development, and the advancement of society as a whole. So why not unlock a world of knowledge today? Start exploring the vast sea of free PDF books and manuals waiting to be discovered right at your fingertips.

FAQs About Roketa 50cc Scooter Owners Manual Books

1. Where can I buy Roketa 50cc Scooter Owners Manual books? Bookstores: Physical bookstores like Barnes & Noble, Waterstones, and independent local stores. Online Retailers: Amazon, Book Depository, and various online bookstores offer a wide range of books in physical and digital formats.
2. What are the different book formats available? Hardcover: Sturdy and durable, usually more expensive. Paperback: Cheaper, lighter, and more portable than hardcovers. E-books: Digital books available for e-readers like Kindle or software like Apple Books, Kindle, and Google Play Books.
3. How do I choose a Roketa 50cc Scooter Owners Manual book to read? Genres: Consider the genre you enjoy (fiction, non-fiction, mystery, sci-fi, etc.). Recommendations: Ask friends, join book clubs, or explore online reviews and recommendations. Author: If you like a particular author, you might enjoy more of their work.
4. How do I take care of Roketa 50cc Scooter Owners Manual books? Storage: Keep them away from direct sunlight and in a dry environment. Handling: Avoid folding pages, use bookmarks, and handle them with clean hands. Cleaning: Gently dust the covers and pages occasionally.
5. Can I borrow books without buying them? Public Libraries: Local libraries offer a wide range of books for borrowing. Book Swaps: Community book exchanges or online platforms where people exchange books.
6. How can I track my reading progress or manage my book collection? Book Tracking Apps: Goodreads, LibraryThing, and Book Catalogue are popular apps for tracking your reading progress and managing book collections. Spreadsheets: You can create your own spreadsheet to track books read, ratings, and other details.
7. What are Roketa 50cc Scooter Owners Manual audiobooks, and where can I find them? Audiobooks: Audio recordings of books, perfect for listening while commuting or multitasking. Platforms: Audible, LibriVox, and Google Play Books offer a wide selection of audiobooks.

8. How do I support authors or the book industry? Buy Books: Purchase books from authors or independent bookstores. Reviews: Leave reviews on platforms like Goodreads or Amazon. Promotion: Share your favorite books on social media or recommend them to friends.
9. Are there book clubs or reading communities I can join? Local Clubs: Check for local book clubs in libraries or community centers. Online Communities: Platforms like Goodreads have virtual book clubs and discussion groups.
10. Can I read Roketa 50cc Scooter Owners Manual books for free? Public Domain Books: Many classic books are available for free as they're in the public domain. Free E-books: Some websites offer free e-books legally, like Project Gutenberg or Open Library.

Find Roketa 50cc Scooter Owners Manual :

[scly3 june 2013 question paper](#)

[scope paper1 physical science for grade 11](#)

[science teaching with moodle 2 0 stocker vincent lee](#)

scott scr120 manual

scotts speedy green 2015 manual

[scott foresman study guide history](#)

scott malcolm icom repair

scout guide apro part

[scott studios vt 32 manual](#)

[scope p2 final exam](#)

scope for business studies examinaton paper 2014 grade 11

[scout repair manual](#)

scotts 3 in 1 lawn mower manual

scilinks activity answers

[scope magazine teacher answer key february 2015](#)

Roketa 50cc Scooter Owners Manual :

sage evolution sizing document secure4 khronos - Jun 25 2022

web may 16 2023 sage evolution sizing document port manteaux churns out silly new words when you feed it an idea or two

enter a word or two above and you ll get back a bunch of portmanteaux created by jamming together words that are conceptually related to your inputs courses offered by the department of civil and environmental engineering

sage evolution sizing document rhur impacthub net - Jul 27 2022

web sep 9 2023 generates a memory dataset containing data to be fed to a crystal report document when reporting requests cover multi year date ranges or use open selection criteria or no selection criteria at all these memory archives philly com june 24th 2018 archives and past articles from the philadelphia inquirer philadelphia daily news and

evo01 2 sage evolution sizing document v1 4 dokumen tips - Aug 08 2023

web evo01 2 sage evolution sizing document v1 4 of 27 27 match case limit results 1 per page sage evolution sizing document evo01 2 sage evolution sizing document v1 4 download pdf report author dickson allela view 32 download 10

evo01 2 sage evolution sizing document v1 4 pdf scribd - Sep 09 2023

web evo01 2 sage evolution sizing document v1 4 free download as pdf file pdf text file txt or read online for free implementation document

sage evolution sizing document uniport edu ng - Feb 19 2022

web aug 28 2023 sage evolution sizing document 2 12 downloaded from uniport edu ng on august 28 2023 by guest ecology 1991 the sage encyclopedia of qualitative research methods lisa m given 2008 08 19 qualitative research is designed to explore the human elements of a given topic while specific qualitative methods examine how individuals see

sage evolution version 7 0 intelligence reporting getting started - Jul 07 2023

web sage pastel evolution v7 getting started guide page 4 of 27 1 1 who should read this guide this guide is designed to help you become familiar with the sage intelligence reporting modules and their functions and is written for the novice intelligence reporting user for more information please refer to the getting help topic

sage evolution sizing document qa nuevesolutions com - Sep 28 2022

web sage evolution sizing document 2019 08 27 sasha lane computerworld john wiley sons this handbook presents a theory of business interest associations and fifteen empirical country by country case studies in the eu the book is organized into three main parts part i develops a theory of business associations which centres on firm size as the

sage evolution sizing document book skillience com - May 05 2023

web recognizing the way ways to acquire this book sage evolution sizing document is additionally useful you have remained in right site to begin getting this info acquire the sage evolution sizing document connect that we allow here and check out the link you could purchase guide sage evolution sizing document or acquire it as soon as feasible

system requirements for an evolution premium environment sage - Jan 01 2023

web sage evolution ram minimum 4gb or more 4gb or more 6gb or more 8gb or more recommended 4gb or more 6gb or

more 8gb or more 16gb or more note minimum 4gb 32 bit or 6 gb 64 bit screen resolution minimum 1024 x 768 1024 x 768 1024 x 768 1024 x 768 note in some cases a 100 dpi setting is suggested for laptop screens

how to change the page size of any report in sage x3 - May 25 2022

web jul 15 2017 go to development reports in crystal report section give paper size same as size is given in crystal page set up sage x3 settings hope this helps about us greytrix a globally recognized premier sage gold development partner is a one stop solution provider for sage erp and sage crm needs being recognized and rewarded

sage evolution sizing document download only - Jun 06 2023

web mar 14 2023 could enjoy now is sage evolution sizing document below concepts of database management philip j pratt 2011 06 14 concepts of database management fits perfectly into any introductory database course for information systems business or cis programs this concise text teaches sql in a

sage evolution sizing document stage gapinc com - Aug 28 2022

web sage evolution sizing document improving software development productivity preventing prejudice new research perspectives handbook of business interest associations firm size and governance guide to documents not printed in the u s serial set agriculture department a comparative analytical approach fiscal year 1996 nasa

sage evolution sizing document api digital capito eu - Oct 30 2022

web sage evolution sizing document 3 3 century communities there unlike modern english villages are highly corporate robert layton explores the relationships between inheritance rules management of common land household labour and inter household relations as well as the impact on villages of national politics and economy comparison

sage evolution sizing document uniport edu ng - Mar 23 2022

web aug 8 2023 sage evolution sizing document 2 8 downloaded from uniport edu ng on august 8 2023 by guest and other sources define prevailing standards for small and medium size enterprises the economic significance of high turbulence entry and exit rates in small firm populations is poorly understood the

sage intelligence - Apr 04 2023

web sage intelligence

sage evolution sizing document webmail flowerdutchess - Apr 23 2022

web subject sage evolution sizing document file type keywords sage evolution sizing document file type created date 12 4 2020 1 15 08 amsage evolution sizing document file typefile name sage evolution sizing document pdf size 6332 kb type pdf epub ebook category book uploaded 2020 nov

sage evolution sizing document ebookpromotions online - Nov 30 2022

web sage evolution sizing document is available for free download in a number of formats including epub pdf azw mobi and

more you can also read the full text online using our ereader anywhere anytime download ebooks through an incredibly easy to use online platform optimised for desktops tablets and mobile similar to popular video

sage evolution sizing document pdf cyberlab sutd edu sg - Mar 03 2023

web sage evolution sizing document a guide to sample size for animal based studies nov 29 2022 understand a foundational area of experimental design with this innovative reference animal based research is an essential part of basic and preclinical research but poses a unique set of experimental design challenges

sage evolution sizing document pdf - Oct 10 2023

web sage evolution sizing document the princeton guide to evolution jun 27 2022 the essential one volume reference to evolution the princeton guide to evolution is a comprehensive concise and authoritative reference to the major subjects and key concepts in evolutionary biology from genes to mass extinctions

sage 200 evolution setting up new paper size forms for - Feb 02 2023

web jun 10 2022 this blog article will cover how to setup new paper size forms for continuous printing in sage 200 evolution this guide explains how to setup paper form sizes and for that we will be using the evolution statement report as an example in the

kingdom hearts 358 2 days vol 3 kingdom hearts 358 2 - Apr 14 2023

web kingdom hearts 358 2 days vol 3 kingdom hearts 358 2 days 3 paperback 25 march 2014 by shiro amano artist 4 9 out of 5 stars 296 ratings

kingdom hearts 358 2 days myanimelist net - Sep 07 2022

web aug 12 2009 the rage of the keyblade unleashes those hearts hearts gather in the darkness and eventually create kingdom hearts to create the sanctuary for those lost hearts those are kingdom hearts roxas without any memory regarding his past has been accepted into the organization xiii

[kingdom hearts 358 2 days wikipedi](#) - Dec 10 2022

web kingdom hearts 358 2 days japonca 王国之心 358 2 days romanize kingudamu hātsu surī faibu eito deizu Ōbā tsū h a n d tarafından geliştirilen 2009 yapımı bir aksiyon rol yapma video oyunudur oyun kingdom hearts serisinin beşinci oyunu olup square enix ve disney interactive studios

kingdom hearts 358 2 days vol 3 kindle comixology - Jul 17 2023

web dec 12 2016 kingdom hearts 358 2 days vol 3 kindle comixology by shiro amano author artist format kindle edition 302 ratings part of kingdom hearts 358 2 days see all formats and editions kindle 6 99 read on any device kindle comixology paperback 13 00 29 used from 5 93 20 new from 8 99 2 collectible from 39 29

kingdom hearts 358 2 days 3 by shiro amano goodreads - Jun 16 2023

web mar 25 2014 buy on amazon rate this book kingdom hearts 358 2 days 3 kingdom hearts 358 2 days 3 shiro amano square enix walt disney company 4 36 642 ratings 29 reviews volume 2 description when xion loses her keyblade it s roxas s job to make sure no one finds out

kingdom hearts 358 2 days vol 3 apple books - May 15 2023

web kingdom hearts 358 2 days vol 3 shiro amano 5 0 20 ratings 6 99 6 99 publisher description xion having failed her last mission is left unconscious and out of commission unfortunately roxas doesn t have time to worry about his friend because he s been ordered to go to wonderland with organization xiii s no 10 the gambler of

kingdom hearts 358 2 days wikipedia - Mar 13 2023

web kingdom hearts 358 2 days a subtitle read as three five eight days over two is an action role playing video game developed by h a n d and square enix in collaboration with disney interactive studios for the nintendo ds

kingdom hearts 358 2 days ign türkiye - Jul 05 2022

web sep 29 2009 kingdom hearts 358 2 days launch trailer 01 16 9 yıl 4 ay yorum yap mission mode montage 00 45 9 yıl 4 ay yorum yap limit break montage 00 59 9 yıl 4 ay yorum yap tools of the trade panel montage 04 09 9 yıl 4 ay yorum yap kingdom hearts 358 2 days video review

kingdom hearts 358 2 days volume 3 khmanga wiki fandom - Oct 08 2022

web kingdom hearts 358 2 days volume 3 is the third volume of kingdom hearts 358 2 days it was released on march 18th 2014 by yen press xion having failed her last mission is left unconscious and out of commission unfortunately roxas doesn t have time to worry about his friend because he s

kingdom hearts 358 2 days manga bato to - Aug 06 2022

web summary in kingdom hearts sora turned the keyblade on himself in order to release kairi s heart but his heart was also released in the process this brought about the creation of roxas sora s nobody unlike most nobodies however roxas

kingdom hearts 358 2 days vol 3 amazon com tr - Sep 19 2023

web kingdom hearts 358 2 days vol 3 shiro amano amazon com tr kitap Çerez tercihlerinizi seçin Çerez bildirimimizde detaylandırıldığı üzere satın alım yapmanızı sağlamak alışveriş deneyiminizi geliştirmek ve hizmetlerimizi sunmak için gerekli olan çerezleri ve benzer araçları kullanıyoruz

kingdom hearts 358 2 days vol 3 barnes noble - Feb 12 2023

web mar 25 2014 overview xion having failed her last mission is left unconscious and out of commission unfortunately roxas doesn t have time to worry about his friend because he s been ordered to go to wonderland with organization xiii s no 10 the gambler of fate luxord can roxas keep up with the old man s games

kingdom hearts 358 2 days - May 03 2022

web the entire roster of playable characters in 358 2 days this is the second game in the series to feature multiplayer following kingdom hearts chain of memories which featured the ability to fight others one on one with a feature called link mode there is a four player non canonical multiplayer mode where players may choose any member of *kingdom hearts 358 2 days complete playthrough part 3* - Jan 31 2022

web visit kh13.com to download kingdom hearts videos kingdom hearts 358 2 days complete playthrough part 3 i have obtained a copy of 358 2 days and h

kingdom hearts 358 2 days vol 1 chapter 3 xion - Mar 01 2022

web kingdom hearts 358 2 days vol 1 chapter 3 xion summary you're reading kingdom hearts 358 2 days this manga has been translated by updating author nomura tetsuya already has 997.9k views if you want to read free manga come visit us at anytime

kingdom hearts 358 2 days vol 3 amazon.ca - Jun 04 2022

web mar 25 2014 kingdom hearts 358 2 days vol 3 amano shiro 9780316401203 books amazon.ca

kingdom hearts 358 2 days vol 3 paperback amazon.co.uk - Jan 11 2023

web jul 7 2015 shiro amano is an artist and illustrator best known for his manga adaptation of the kingdom hearts series product details publisher yen press illustrated edition 7 july 2015

kingdom hearts 358 2 days manga - Apr 02 2022

web the kingdom hearts 358 2 days manga is based on the spin off video game kingdom hearts 358 2 days the series was released in five volumes in japan by gangan comics and later translated into english by yen press

kingdom hearts 358 2 days mangatown - Nov 09 2022

web mar 5 2013 kingdom hearts 358 2 days 5 5 vol 01 it's new year's organization xiii's winter break without permission aug 21 2010 kingdom hearts 358 2 days 5 vol 01 ocean of memory aug 21 2010 kingdom hearts 358 2 days 4 vol 01 something wrong aug 21 2010 kingdom hearts 358 2 days 3 vol 01 xion aug 21 2010 kingdom

read kingdom hearts 358 2 days manga on mangakakalot - Aug 18 2023

web kingdom hearts 358 2 days summary in kingdom hearts sora turned the keyblade on himself in order to release kairi's heart but his heart was also released in the process this brought about the creation of roxas sora's nobody unlike most nobodies however roxas has no memories of his past

wh auden poetry foundation - Jul 02 2022

web spain one of his most famous and widely anthologized pieces is based on his experiences in that country during its civil war of 1936 to 1939 journey to war a book of the period written by auden with christopher isherwood features auden's sonnet sequence and verse commentary in time of war the first half of the sequence

[journey to a war nyu shanghai new york university](#) - May 12 2023

web feb 17 2017 [journey to a war feb 17 2017](#) through a reading of sonnets and prose on february 14 professor stephen harder offered a unique glimpse of china in chaos and despair witnessed by two celebrated british literary figures poet w h auden and writer christopher isherwood in 1938

journey to a war w h auden free download borrow and - Jun 13 2023

web sep 14 2022 [journey to a war w h auden free download borrow and streaming internet archive](#)

w h auden s journeys to war modern english war poetry - Nov 06 2022

web abstract this chapter explores the war poetry of w h auden much of auden s poetry of the late 1930s is defined by journeys to and from war although his decision to stay in new york after the outbreak of the second world war attracted imputations of cowardice and betrayal until then auden had actively sought war zones

journey to a war auden w h wylan hugh 1907 1973 free - Apr 30 2022

web [journey to a war auden w h wylan hugh 1907 1973 free download borrow and streaming internet archive](#)

journey to a war by auden and isherwood abebooks - Jan 28 2022

web [journey to a war](#) is a travel book in prose and verse the book is in three parts a series of poems by auden describing his and isherwood s journey to china in 1938 a travel diary by isherwood including material first drafted by auden about their travels in china itself and their observations of the sino japanese war and in time of war

26 w h auden journey to a war 1939 de gruyter - Dec 07 2022

web on the surface [journey to a war](#) is an account of a journey to the front line of the sino japanese war in the late 1930s on closer inspection however this hybrid text combining freely prose and verse writing in other words this prosimetrum is revealed to contain a variety of genres a sonnet cycle and verse commentary by auden a

journeys to a war and the literature of the 1860s and 1870s - Oct 05 2022

web may 11 2020 [analysing albert smith s and charley dickens s 1858 and 1860 trips to the sites of the second anglo chinese war](#) the article suggests that the experience of war especially of wars fought abroad i

journey to a war wylan hugh auden christopher isherwood - Mar 10 2023

web the book is in three parts a series of poems by auden describing his and isherwood s journey to china in 1938 a travel diary by isherwood including material first drafted by auden about

journey to a war by w h auden jan 1982 w h - Jun 01 2022

web arama yapmak istediğiniz kategoriye seçin

[journey to a war by auden abebooks](#) - Aug 03 2022

web [journey to a war](#) is a travel book in prose and verse the book is in three parts a series of poems by auden describing his

and isherwood s journey to china in 1938 a travel diary by isherwood including material first drafted by auden about their travels in china itself and their observations of the sino japanese war and in time of war

[journey to a war nypl digital collections](#) - Feb 26 2022

web journey to a war collection of book jackets 1939 pt 2 nypl catalog id b number general research division the new york public library journey to a war the new york public library digital collections 1939 digitalcollections nypl org items 510d47db da67 a3d9 e040 e00a18064a99

journey to a war 1939 edition open library - Mar 30 2022

web journey to a war by w h auden christopher isherwood 1939 faber faber edition in english

[journey to a war w h auden archive org](#) - Jul 14 2023

web mar 18 2004 journey to a war by w h auden publication date 1938 collection millionbooks universallibrary language english

journey to a war by w h auden open library - Apr 11 2023

web may 4 2023 details reviews lists related books last edited by importbot may 4 2023 history edit an edition of journey to a war 1939 journey to a war 1st paragon house

journey to a war wikipedia - Aug 15 2023

web journey to a war is a travel book in prose and verse by w h auden and christopher isherwood published in 1939 the book is in three parts a series of poems by auden describing his and isherwood s journey to china in 1938 a travel diary by isherwood including material first drafted by auden about their travels in china itself and

journey to a war paperback 11 jan 2002 amazon co uk - Feb 09 2023

web buy journey to a war main by auden christopher isherwood w h isbn 9780571102853 from amazon s book store everyday low prices and free delivery on eligible orders

[journey to a war wikiwand](#) - Jan 08 2023

web journey to a war is a travel book in prose and verse by w h auden and christopher isherwood published in 1939

a watch dropped in the desert journey to a war and the new - Sep 04 2022

web in journey to a war co authored by w h auden 1907 1973 and christopher isherwood 1904 1986 there are elaborate descriptions of cities and villages during the new life movement that was inaugurated by chiang kai shek on february 19th 1934 when china was already weakened by western imperialism faced the threat of japanese militarism

marco arop s journey from fleeing war in sudan to becoming - Dec 27 2021

web 16 hours ago marco arop s journey from fleeing war with his family to becoming world 800m champion it truly takes a village in the late 1990s arop s parents fled civil war in abyei sudan in search of a better life for their young family after

spending three years in egypt they moved to canada where the couple and their four boys