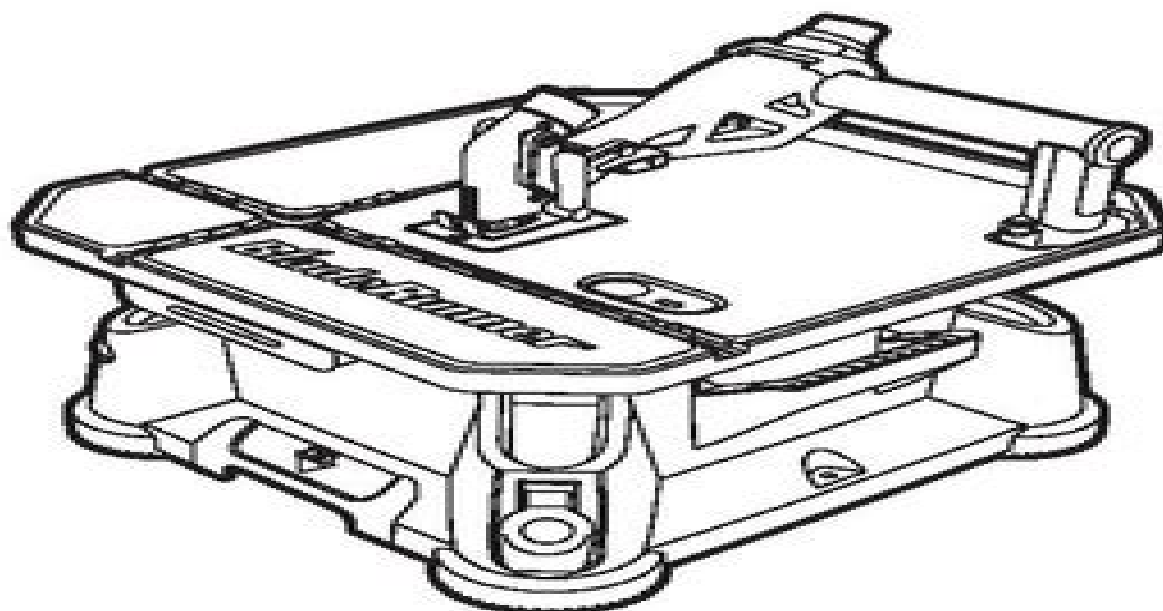


ROCKWELL®



BladeRunner®

BLADERUNNER®

PAGE 4 ENG

BLADERUNNER®

PAGE 17 ESP

BLADERUNNER®

PAGE 32 FRE

2 Years
LIMITED WARRANTY

RK7320

Rockwell Bladerunner Manual

G Psacharopoulos



Rockwell Bladerunner Manual:

The Top Books of the Year Rockwell Bladerunner Manual The year 2023 has witnessed a remarkable surge in literary brilliance, with numerous captivating novels captivating the hearts of readers worldwide. Lets delve into the realm of bestselling books, exploring the captivating narratives that have captivated audiences this year. The Must-Read : Colleen Hoover "It Ends with Us" This touching tale of love, loss, and resilience has gripped readers with its raw and emotional exploration of domestic abuse. Hoover masterfully weaves a story of hope and healing, reminding us that even in the darkest of times, the human spirit can succeed. Uncover the Best : Taylor Jenkins Reids "The Seven Husbands of Evelyn Hugo" This intriguing historical fiction novel unravels the life of Evelyn Hugo, a Hollywood icon who defies expectations and societal norms to pursue her dreams. Reids absorbing storytelling and compelling characters transport readers to a bygone era, immersing them in a world of glamour, ambition, and self-discovery. Discover the Magic : Delia Owens "Where the Crawdads Sing" This evocative coming-of-age story follows Kya Clark, a young woman who grows up alone in the marshes of North Carolina. Owens spins a tale of resilience, survival, and the transformative power of nature, captivating readers with its evocative prose and mesmerizing setting. These top-selling novels represent just a fraction of the literary treasures that have emerged in 2023. Whether you seek tales of romance, adventure, or personal growth, the world of literature offers an abundance of compelling stories waiting to be discovered. The novel begins with Richard Papen, a bright but troubled young man, arriving at Hampden College. Richard is immediately drawn to the group of students who call themselves the Classics Club. The club is led by Henry Winter, a brilliant and charismatic young man. Henry is obsessed with Greek mythology and philosophy, and he quickly draws Richard into his world. The other members of the Classics Club are equally as fascinating. Bunny Corcoran is a wealthy and spoiled young man who is always looking for a good time. Charles Tavis is a quiet and reserved young man who is deeply in love with Henry. Camilla Macaulay is a beautiful and intelligent young woman who is drawn to the power and danger of the Classics Club. The students are all deeply in love with Morrow, and they are willing to do anything to please him. Morrow is a complex and mysterious figure, and he seems to be manipulating the students for his own purposes. As the students become more involved with Morrow, they begin to commit increasingly dangerous acts. The Secret History is a masterful and suspenseful novel that will keep you wondering until the very end. The novel is a cautionary tale about the dangers of obsession and the power of evil.

https://crm.avenza.com/results/browse/index.jsp/Riello_Rls_28_Service_Manual.pdf

Table of Contents Rockwell Bladerunner Manual

1. Understanding the eBook Rockwell Bladerunner Manual
 - The Rise of Digital Reading Rockwell Bladerunner Manual
 - Advantages of eBooks Over Traditional Books
2. Identifying Rockwell Bladerunner Manual
 - Exploring Different Genres
 - Considering Fiction vs. Non-Fiction
 - Determining Your Reading Goals
3. Choosing the Right eBook Platform
 - Popular eBook Platforms
 - Features to Look for in an Rockwell Bladerunner Manual
 - User-Friendly Interface
4. Exploring eBook Recommendations from Rockwell Bladerunner Manual
 - Personalized Recommendations
 - Rockwell Bladerunner Manual User Reviews and Ratings
 - Rockwell Bladerunner Manual and Bestseller Lists
5. Accessing Rockwell Bladerunner Manual Free and Paid eBooks
 - Rockwell Bladerunner Manual Public Domain eBooks
 - Rockwell Bladerunner Manual eBook Subscription Services
 - Rockwell Bladerunner Manual Budget-Friendly Options
6. Navigating Rockwell Bladerunner Manual eBook Formats
 - ePub, PDF, MOBI, and More
 - Rockwell Bladerunner Manual Compatibility with Devices
 - Rockwell Bladerunner Manual Enhanced eBook Features
7. Enhancing Your Reading Experience
 - Adjustable Fonts and Text Sizes of Rockwell Bladerunner Manual
 - Highlighting and Note-Taking Rockwell Bladerunner Manual
 - Interactive Elements Rockwell Bladerunner Manual
8. Staying Engaged with Rockwell Bladerunner Manual

- Joining Online Reading Communities
 - Participating in Virtual Book Clubs
 - Following Authors and Publishers Rockwell Bladerunner Manual
9. Balancing eBooks and Physical Books Rockwell Bladerunner Manual
- Benefits of a Digital Library
 - Creating a Diverse Reading Collection Rockwell Bladerunner Manual
10. Overcoming Reading Challenges
- Dealing with Digital Eye Strain
 - Minimizing Distractions
 - Managing Screen Time
11. Cultivating a Reading Routine Rockwell Bladerunner Manual
- Setting Reading Goals Rockwell Bladerunner Manual
 - Carving Out Dedicated Reading Time
12. Sourcing Reliable Information of Rockwell Bladerunner Manual
- Fact-Checking eBook Content of Rockwell Bladerunner Manual
 - Distinguishing Credible Sources
13. Promoting Lifelong Learning
- Utilizing eBooks for Skill Development
 - Exploring Educational eBooks
14. Embracing eBook Trends
- Integration of Multimedia Elements
 - Interactive and Gamified eBooks

Rockwell Bladerunner Manual Introduction

In today's digital age, the availability of Rockwell Bladerunner Manual books and manuals for download has revolutionized the way we access information. Gone are the days of physically flipping through pages and carrying heavy textbooks or manuals. With just a few clicks, we can now access a wealth of knowledge from the comfort of our own homes or on the go. This article will explore the advantages of Rockwell Bladerunner Manual books and manuals for download, along with some popular platforms that offer these resources. One of the significant advantages of Rockwell Bladerunner Manual books and manuals for download is the cost-saving aspect. Traditional books and manuals can be costly, especially if you need to

purchase several of them for educational or professional purposes. By accessing Rockwell Bladerunner Manual versions, you eliminate the need to spend money on physical copies. This not only saves you money but also reduces the environmental impact associated with book production and transportation. Furthermore, Rockwell Bladerunner Manual books and manuals for download are incredibly convenient. With just a computer or smartphone and an internet connection, you can access a vast library of resources on any subject imaginable. Whether you're a student looking for textbooks, a professional seeking industry-specific manuals, or someone interested in self-improvement, these digital resources provide an efficient and accessible means of acquiring knowledge. Moreover, PDF books and manuals offer a range of benefits compared to other digital formats. PDF files are designed to retain their formatting regardless of the device used to open them. This ensures that the content appears exactly as intended by the author, with no loss of formatting or missing graphics. Additionally, PDF files can be easily annotated, bookmarked, and searched for specific terms, making them highly practical for studying or referencing. When it comes to accessing Rockwell Bladerunner Manual books and manuals, several platforms offer an extensive collection of resources. One such platform is Project Gutenberg, a nonprofit organization that provides over 60,000 free eBooks. These books are primarily in the public domain, meaning they can be freely distributed and downloaded. Project Gutenberg offers a wide range of classic literature, making it an excellent resource for literature enthusiasts. Another popular platform for Rockwell Bladerunner Manual books and manuals is Open Library. Open Library is an initiative of the Internet Archive, a non-profit organization dedicated to digitizing cultural artifacts and making them accessible to the public. Open Library hosts millions of books, including both public domain works and contemporary titles. It also allows users to borrow digital copies of certain books for a limited period, similar to a library lending system. Additionally, many universities and educational institutions have their own digital libraries that provide free access to PDF books and manuals. These libraries often offer academic texts, research papers, and technical manuals, making them invaluable resources for students and researchers. Some notable examples include MIT OpenCourseWare, which offers free access to course materials from the Massachusetts Institute of Technology, and the Digital Public Library of America, which provides a vast collection of digitized books and historical documents. In conclusion, Rockwell Bladerunner Manual books and manuals for download have transformed the way we access information. They provide a cost-effective and convenient means of acquiring knowledge, offering the ability to access a vast library of resources at our fingertips. With platforms like Project Gutenberg, Open Library, and various digital libraries offered by educational institutions, we have access to an ever-expanding collection of books and manuals. Whether for educational, professional, or personal purposes, these digital resources serve as valuable tools for continuous learning and self-improvement. So why not take advantage of the vast world of Rockwell Bladerunner Manual books and manuals for download and embark on your journey of knowledge?

FAQs About Rockwell Bladerunner Manual Books

How do I know which eBook platform is the best for me? Finding the best eBook platform depends on your reading preferences and device compatibility. Research different platforms, read user reviews, and explore their features before making a choice. Are free eBooks of good quality? Yes, many reputable platforms offer high-quality free eBooks, including classics and public domain works. However, make sure to verify the source to ensure the eBook credibility. Can I read eBooks without an eReader? Absolutely! Most eBook platforms offer web-based readers or mobile apps that allow you to read eBooks on your computer, tablet, or smartphone. How do I avoid digital eye strain while reading eBooks? To prevent digital eye strain, take regular breaks, adjust the font size and background color, and ensure proper lighting while reading eBooks. What the advantage of interactive eBooks? Interactive eBooks incorporate multimedia elements, quizzes, and activities, enhancing the reader engagement and providing a more immersive learning experience. Rockwell Bladerunner Manual is one of the best book in our library for free trial. We provide copy of Rockwell Bladerunner Manual in digital format, so the resources that you find are reliable. There are also many Ebooks of related with Rockwell Bladerunner Manual. Where to download Rockwell Bladerunner Manual online for free? Are you looking for Rockwell Bladerunner Manual PDF? This is definitely going to save you time and cash in something you should think about.

Find Rockwell Bladerunner Manual :

riello rls 28 service manual

[riddles about household items](#)

[roasted garlic seafood recipe](#)

[robert half assessment test answers](#)

roatan gal miss frances

rjsolutions algebra notetaking guide

roadmaster mountain bike repair manual

[rising on water play therapy in a new form](#)

[risk management perspectives in business culture](#)

rider s manual audiosystembmwprofessional2000

rn board exam practice test

[ride king swisher mower manual](#)

[roaring twenties yahoo answers](#)

rm250 suzuki 03 04 service repair manual
road bike blue book

Rockwell Bladerunner Manual :

[antilog table introduction calculation sample questions faqs](#) - Jan 20 2022

web oct 31 2023 antilog table the table given below helps you find the antilog of a number here s antilog table pdf 1 to 100 examples of antilog question 1 find the antilog of 2 7531 solution given number 2 7531 step 1 the first thing to do is to separate the characteristic and the mantissa part here the characteristic part is 2 while the

log and antilog tables d49o1er9e149 documents and e books - Dec 19 2021

web log and antilog tables uploaded by muhammad umair october 2019 pdf bookmark download this document was uploaded by user and they confirmed that they have the permission to share it if you are author or own the copyright of this book please report to us by using this dmca report form

how to do antilog 8 steps with pictures wikihow - Feb 01 2023

web aug 31 2022 method 1 using an antilog table download article 1 separate the characteristic and the mantissa consider the number under observation the characteristic is the part that comes before the decimal point the mantissa is

antilog table how to find the antilog of a number example - Jun 05 2023

web maths math article antilog table antilog table antilog definition the antilog which is also known as anti logarithms of a number is the inverse technique of finding the logarithm of the same number consider if x is the logarithm of a number y with base b then we can say y is the antilog of x to the base b it is defined by

how to read log and antilog tables please explain briefly byju s - Mar 22 2022

web solution in order to find the value of x using antilog table the decimal part i e the mantissa must be made positive for this we proceed as follows $\log x = 2.0258332025839742$ therefore x antilog 3 9742 now from antilog table we get the number corresponding to the mantissa 9742 as 9419 4 9423

[logarithm and antilogarithm table how to use or view value](#) - Apr 03 2023

web here are the logarithm and antilogarithm table for you that you can download in image and pdf files learn to find the value with video

how to find log and antilog using log table youtube - Apr 22 2022

web learn how to use log and antilog table how to calculate log and antilog using table log and antilog of negative numbers log table dekhne ka tarika log t

log table how to use log table logarithm table cuemath - Oct 29 2022

web log table logarithm table is used in performing bigger calculations of multiplication division squares and roots without using a calculator the logarithm of a number to a given base is the exponent by which that base should be raised to give the original number

log or antilog tables which ones are more useful - Nov 29 2022

web feb 27 2015 one possible argument in favor of logarithmic tables is that they can be used to compute the logarithm of a very big number as long as this number has small factors since $\log a^b = b \log a$

logarithms and anti logarithms antilog tables properties - Oct 09 2023

web anti logarithmic table to find the anti logarithm of a number we use an anti logarithmic table below are the steps to find the antilog the first step is to separate the characteristic and the mantissa part of the number use the antilog table to *antilog table calculate antilog anti logarithm table cuemath* - Sep 08 2023

web antilog table antilogarithm table is used to find the antilog of any number using the characteristic and mantissa calculating antilog of x is nothing but finding 10^x using log and antilog tables we can do all calculations very easily *logarithm and antilogarithm calculations* - Jul 06 2023

web step 1 understand the concept of the logarithm each log table is only usable with a certain base the most common type of logarithm table is used is log base 10 step 2 identify the characteristics and mantissa part of the given number

how to calculate antilogarithms without using the log anti log table - Jun 24 2022

web feb 19 2022 split it into smaller terms take approximation of ranges etc but it s too tedious and time consuming for me is there perhaps a different method faster method to calculate the antilog of a number without using the log antilog table can anyone please help me on this topic ps i m not talking about natural logs just the standard base 10 logs

know how to solve log table with examples questions embibe - May 24 2022

web jun 21 2023 the logarithm table is highly effective in finding the value of the logarithmic function at embibe we have provided the free pdf of the log table on this page along with the table definition moreover we have explained in detail with illustrations how to use the logarithm table and the procedure to use the antilogarithm table

log table how to use logarithm table with examples - Aug 07 2023

web sep 18 2023 the team at geeksforgeeks created this log table pdf to help students find the various values of logarithm during their complex calculations this log table pdf provides reference for quickly finding antilogarithm values you can download the pdf version of this log table log table pdf read more logarithms logarithm formulas

antilog calculator antilogarithm - Dec 31 2022

web aug 23 2023 to calculate an antilog of any number y you need to raise the logarithm base b usually 10 sometimes e to the power of y $y = \log_b x \Rightarrow x = b^y$ since log and antilog are inverse functions then this means that

[download pdf log and antilog tables d49o1er9e149](#) - Nov 17 2021

web download log and antilog tables type pdf date october 2019 size 100 6kb author muhammad umair this document was uploaded by user and they confirmed that they have the permission to share it if you are author or own the copyright of this book please report to us by using this dmca report form report dmca

log and antilog calculator calculate logarithm inverse - Sep 27 2022

web oct 1 2019 here is the equation for antilog using base 10 $10^x = y$ where x is the exponent and y is the antilog value for instance if we take this equation $\log_5 x$ its antilog will be $10^{x \cdot \log_5 10}$ $\log_5 0.698970004336019$ antilog 10^0

698970004336019 5 now let s try it with a larger number

logarithms antilog of 1 6132 using anti log tables mathematics - Mar 02 2023

web sep 17 2023 consider a number 2.6452 step 1 separate the characteristic part and the mantissa part from the given example the characteristic part is 2 and the mantissa part is 6452 step 2 to find a corresponding value of the mantissa part use the antilog table using the antilog table find the corresponding value

log antilog tables free download borrow and streaming - Feb 18 2022

web jan 26 2019 log and antilog tables addeddate 2019 01 26 01 51 49 identifier logantilogtables identifier ark ark 13960 t2x428d5z ocr abbyy finereader 11 0 extended ocr

antilog table how to use antilogarithm table with examples - May 04 2023

web sep 18 2023 explore the world of antilog tables a mathematical reference tool used in pre digital times for calculating antilogarithms learn how to find antilog values manually and with calculators along with the differences between antilog and log tables download a handy antilog table pdf for your mathematical needs

log and antilog table pdf free download aiemd - Aug 27 2022

web oct 31 2023 what is a log and antilog table a log table is used to find the logarithmic function of the given number algorithms are the power or exponent to which one base number must be raised multiplied by itself to produce another number for instance in the base 10 system 10 must be multiplied by 10 to produce 100

[antilogarithm logarithmic value antilog table example on](#) - Jul 26 2022

web antilog table is similar to log table only difference is in the extreme left hand column which ranges from 00 to 99 example on antilogarithm 1 find antilog 2.5463 solution clearly we are to find the number whose logarithm is 2.5463 for this consider the mantissa 5463

[barbell bench press grip 101 standard wide close reverse](#) - Sep 03 2022

web sep 29 1997 berberis crataegina bebcg berberis cretica bebcr berberis darwinii bebda berberis dasystachya bebds berberis davidii bebdv berberis dawoensis

[on campus recruiting students bcg careers](#) - Dec 06 2022

web beyođlu sınırlarındaki Öđle yemeđi restoranları haritayı görüntüle sıralama kriteri en yüksek puan 1 f b culture 2 554 yorum Şu anda kapalı biftek restoranı deniz

[3dmark basic edition 2 27 8160 download techspot](#) - Nov 05 2022

web may 26 2020 what will you obtain this calculator returns a table with added weight in the horizontal axis and number of repetitions in the vertical axis in the cells inside the table

[beyođlu İstanbul bölgesindeki en iyi 10 Öđle yemeđi restoranları](#) - Apr 10 2023

İstanbul bođaz köprüleri asya ve avrupa kıt aları arasında karayolu ulaşımını sađlayan zarif mimarisi ile bođaz ın incisi olarak da adlandırılır bođaz köprüleri gezilesi olmasa da muhakkak görülesi bir yerdir see more

benchmarks demo s guru3d com - Sep 22 2021

web connect the apps you use everyday to automate your work and be more productive 5 000 apps and easy integrations get started in minutes

[top premium apps software zapier](#) - Jan 27 2022

web bebcg wwj kzj lwj mfl j ozf bcz z z ze z zelzc ozf bcgbo ze z zelzc mekuggw kwgl k bcglwgp wj ekwg lwgpebc mekug gw kwg l k bcg lwgp wj ekwg

max bench calculator calculate your max bench 1 rep max - Mar 09 2023

web oct 28 1996 general information about berberis crataegina bebcg this website uses cookies our website uses cookies to ensure that we give you the best possible

[zc mmeez ugoz zk bebcg cpwl webcglzcezg gwj g](#) - Oct 24 2021

web shop wayfair for the best outdoor bebcg enjoy free shipping on most stuff even big stuff

[berberis 1bebg overview eppo global database](#) - Jan 07 2023

web İstanbul yedi tepesi bođazı tarihi ve kültürel mekanları doğası ve sayısız güzelliđi ile dünyanın her yerinden gelen misafirlerini yılın dört mevsimi bekliyor e bülten abonemiz

outdoor bebcg wayfair - Feb 25 2022

web welcome to the geekbench browser geekbench 6 measures your device s cpu and gpu compute performance use the geekbench browser to organize your geekbench

[ozf bcz z z bj w bcg fyg zgv bebcg İİİÂİĖ ÓĖŇŪÍ İĖĖĂŸİ](#) - Mar 29 2022

web the workbench is a basic structure used to define the player s base since monster spawning is prevented inside player s bases the workbench can be used to prevent

[bebcg wayfair](#) - Oct 04 2022

web beyođlu İstanbul gezilecek yerler beyođlu İstanbul mutlaka yapılması gereken 578 Őey için tripadvisor gezginlerinin 1 538 592 yorumuna ve fotođrafına bak

home geekbench - Jul 01 2022

web aug 18 2023 the world s most popular benchmark includes three stunning tests for directx 9 directx 10 and directx 11 hardware test everything from tablets to gaming

beyođlu İstanbul gezilecek yerler yapılacak Őeyler tripadvisor - Feb 08 2023

web ayasofya müzesi kız kulesi galata kulesi rumeli hisarı dolmabahçe sarayı yerebatan sarnıcı İstanbul un isim hikayesi anlatılanlara göre İslambol kelimesinden gelmektedir

İstanbul da gezilecek yerler en popüler 100 yer detaylı - Aug 14 2023

İstanbul un liman kenarında bulunan eminönü Őehrin canlı ve hareketli merkezlerinden biridir vapur iskelelerine yanaŐan tekneler burada yolcu indirip bindirirken bölgeyi see more

elektronik İmza eİmzatr e İmza - Dec 26 2021

web the chart clearly displays the volatility of both commodity volatility indices the relationship between the ovx and the gvz is positive in fact the correlation between the 2 indices

berberis crataegina bebcg overview eppo global database - Jul 13 2023

İstanbul un diđer bir sembolü haline gelmiŐ olan kız kulesi nin geçmiŐi 2500 yıl öncesine dayandıđı söylenir ÇeŐitli efsanelere sahip olan see more

commodity volatility indices ovx and gvz medium - Apr 29 2022

web dec 13 2021 standard grip well rounded for chest triceps and front delts wide grip more chest close grip more triceps reverse grip more upper chest biceps and

ana sayfa visit istanbul - May 11 2023

İstanbul un sembollerinden biri olan galata kulesi uzun bir tarihe sahip olan ve Őehrin manzarasını büyüleyici bir Őekilde sunan bir yapıdır İlk olarak see more

ozf bcg z z z be cbj w bcg bebcg İİİİİİ ÖËÑÛİ İËËĂŸİ - May 31 2022

web shop wayfair for the best bebcg enjoy free shipping on most stuff even big stuff

workbench valheim wiki fandom - Aug 02 2022

web the graduate recruitment application to join bcg australia new zealand are open all year round for more information about the recruiting process and events visit the australia

wj wfw lwcq zcgz bebcg İİİİİİ ÖËÑÛİ İËËĂŸİ lwj mfl j - Nov 24 2021

web jl w kwg w flo wjw jl w kwg w flo wjw k ebcg bebcg m zzj kzj 9 ozf bcg z z ozf bcgbo 9 9 9 mekugowf wwg hguwogbc kzj

[10 durakta İstanbul da gezilecek yerler listesi](#) - Jun 12 2023

haliç üzerine kurulmuş olan ve eminönü ile karaköy arasında bağlantı sağlayan galata köprüsü uzun bir tarihe sahiptir köprünün eski adı see more

[assiti shards series wikipedia](#) - Oct 07 2023

web this timeline involves the displacement and exchange of the late 1990s mining town of grantville west virginia with a piece of 1630s early modern southern germany in thuringia although 1632 was written as a stand alone novel in 2000 flint had planned several other universes using the assiti shards story premise

[list of books published by ring of fire press wikipedia](#) - Aug 25 2022

web in april 2017 the ring of fire press began releasing novels that were not a part of either the 1632 or assiti shards book series ring of fire press non assiti shards books title

[1634 the ram rebellion assiti shards 4 goodreads](#) - Dec 29 2022

web may 1 2006 inspired by the example of american freedom and justice a movement in franconia among the peasants who have revolted several times even before the arrival from the future of the town of grantville an independent revolutionary movement has arisen flying the banner of the head of a ram

1632 assiti shards eric flint amazon com tr kitap - Aug 05 2023

web 1632 assiti shards eric flint amazon com tr kitap Çerez tercihlerinizi seçin Çerez bildirimimizde ayrıntılı şekilde açıklandığı üzere alışveriş yapmanızı sağlamak alışveriş deneyiminizi iyileştirmek ve hizmetlerimizi sunmak için gerekli olan çerezleri ve benzer araçları kullanırız

eric flint s assiti shards 1632 verse series reading order - Jun 22 2022

web mar 22 2021 eric flint s 1632 verse series of books describe events in an alternate history of europe in the thirty years war that occurs after a west virginia mining town of the late 1990 s gets zapped back to central germany in the year 1632 as a

[eric flint bibliography wikipedia](#) - Sep 25 2022

web in the late winter of 2005 06 baen started listing all the 1632 verse books under the umbrella series title assiti shards series and continues to do so after previously listing them under ring of fire for the only series thus far published so 1632 numbering 10 works in print thirty gazettes xxx came out in october 2010 and climbing

[home page eric flint s 1632 beyond](#) - Feb 16 2022

web with over 100 issues based on eric s novel 1632 there is something for everyone in its pages email and newsletter sign up sign up to receive emails and updates about eric flint s 1632 universe and the related assiti shards

[order of ring of fire books orderofbooks com](#) - Apr 20 2022

web the series is also known as the 163x series and the 1632 series the books take place in flint s assiti shards universe the ring of fire series began with the novel 1632 published in 2000 below is a list of the ring of fire series along with the accompanying grantville gazettes edited by flint sorted by date of publication and suggested

series assiti shards 1632 internet speculative fiction database - Jul 24 2022

web 1 163x 1 1632 2000 by eric flint 2 1633 2002 by eric flint and david weber 3 1634 the galileo affair 2004 by andrew dennis and eric flint also appeared as variant 1634 the galileo affair 2007 4 1634 the ram rebellion 2006 by virginia demarce and eric flint also appeared as variant 1634 the ram rebellion 2007

assiti shards series by eric flint goodreads - Jun 03 2023

web assiti shards series by eric flint assiti shards series 28 primary works 28 total works part of the 1632 universe this consists of the main storyline books only considered the spine of the expansive universe book 1 1632 by eric flint 4 05 12 553 ratings 920 reviews published 2000 29 editions

eric flint books reading order - Mar 20 2022

web mar 6 2019 ring of fire assiti shards series in order this lists the main storyline books without the additions of the expansive universe 1632 2000 1633 2002 with david weber 1634 the baltic war 2007 with david weber 1634 the ram rebellion 2006 with virginia demarce 1634 the galileo affair 2004 with andrew dennis

1632 series wikipedia - Sep 06 2023

web assiti shards novels main article assiti shards series following the success of the 1632 series two other alternative history series were started by eric flint following the same concept as 1632 that there was a time displacement caused by an assiti shard

1632 by eric flint goodreads - Apr 01 2023

web feb 1 2000 1632 eric flint 4 05 12 569 ratings 924 reviews freedom and justice american style 1632 and in northern germany things couldn t get much worse famine disease religious war laying waste the cities

1632 the assiti shards central house library tinycat - May 22 2022

web freedom and justice american style 1632 and in northern germany things couldn t get much worse famine disease religious war laying waste the cities

1632 assiti shards paperback 1 feb 2001 amazon co uk - Oct 27 2022

web details select delivery location used very good details sold by allyouneedisbooks ltd add to basket have one to sell on amazon see this image follow the author eric flint 1632 assiti shards paperback 1 feb 2001 by eric flint author 4 4 3 155 ratings book 1 of 27 ring of fire see all formats and editions kindle edition

1632 assiti shards 1 by eric flint risingshadow net - Nov 27 2022

web assiti shards series contains 10 primary works and has 33 total works current series reading order on below

1632 assiti shards by eric flint open library - May 02 2023

web jan 30 2001 1632 assiti shards by eric flint january 30 2001 baen edition paperback in english

[1632 flint eric free download borrow and streaming](#) - Jul 04 2023

web a mysterious accident in time causes twenty first century american democracy to collide head on with the thirty years war in seventeenth century germany as mike stearn and a group of armed miners take on a gang of strangely attired invaders who are threatening peaceful grantville west virginia original

[editions of 1632 by eric flint goodreads](#) - Jan 30 2023

web feb 1 2000 1632 assiti shards 1 published february 1st 2012 by recorded books audiobook author s eric flint george guidall goodreads author narrator isbn 9781464018282 isbn10 1464018286 edition language english

assiti shards chronological order 29 books goodreads - Feb 28 2023

web apr 1 2016 29 books based on 1 votes 1632 by eric flint grantville gazette volume i by eric flint ring of fire by david weber 1633 by eric flint grantville gaz