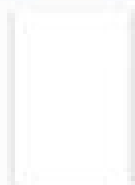
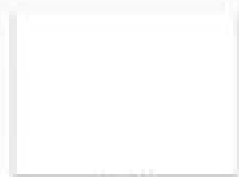
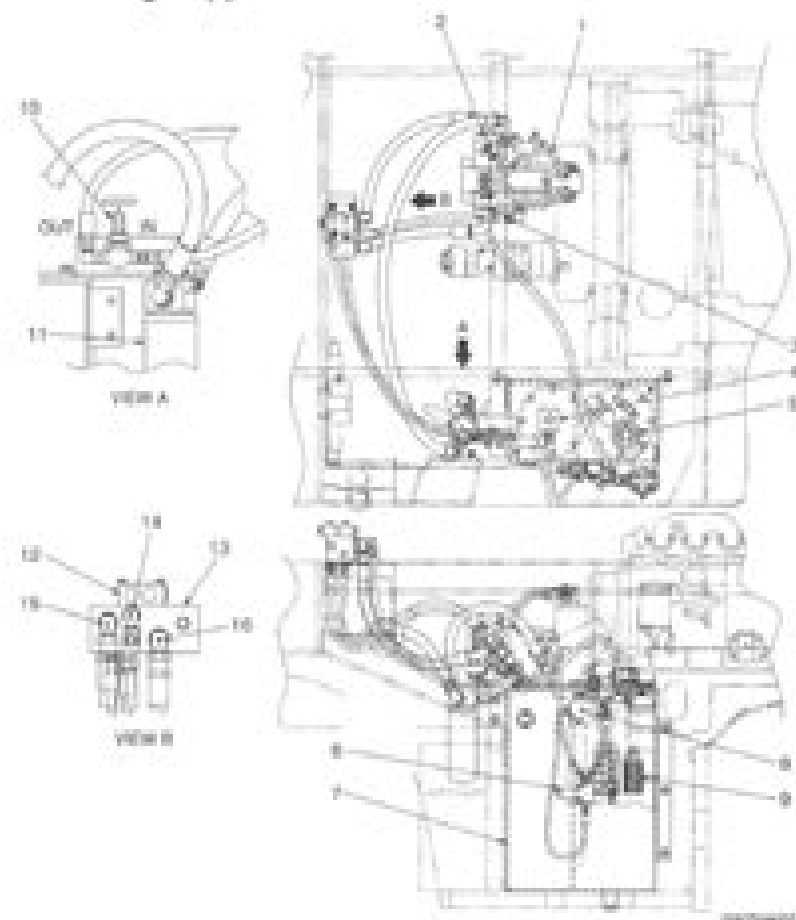




Page Thumbnails



PROPULSION SYSTEM

2. PROPULSION SYSTEM**2-1. Hose diagram (1)**

1. Propulsion pump
2. B port (propulsion pump)
3. A port (propulsion pump)
4. Return hose
5. Filter cap
6. Swivel universal valve

8. Swivel filter
10. Unload valve
11. Return filter
12. Flushing valve
13. Hose
14. Hose B (return)

Sakai Gw750 Service Manual

JPNZ (Firm)



Sakai Gw750 Service Manual:

Unveiling the Magic of Words: A Report on "**Sakai Gw750 Service Manual**"

In a world defined by information and interconnectivity, the enchanting power of words has acquired unparalleled significance. Their ability to kindle emotions, provoke contemplation, and ignite transformative change is truly awe-inspiring. Enter the realm of "**Sakai Gw750 Service Manual**," a mesmerizing literary masterpiece penned by way of a distinguished author, guiding readers on a profound journey to unravel the secrets and potential hidden within every word. In this critique, we shall delve into the book's central themes, examine its distinctive writing style, and assess its profound impact on the souls of its readers.

https://crm.avenza.com/public/detail/index.jsp/physical_science_paper1_memorandum_exemplar.pdf

Table of Contents Sakai Gw750 Service Manual

1. Understanding the eBook Sakai Gw750 Service Manual
 - The Rise of Digital Reading Sakai Gw750 Service Manual
 - Advantages of eBooks Over Traditional Books
2. Identifying Sakai Gw750 Service Manual
 - Exploring Different Genres
 - Considering Fiction vs. Non-Fiction
 - Determining Your Reading Goals
3. Choosing the Right eBook Platform
 - Popular eBook Platforms
 - Features to Look for in an Sakai Gw750 Service Manual
 - User-Friendly Interface
4. Exploring eBook Recommendations from Sakai Gw750 Service Manual
 - Personalized Recommendations
 - Sakai Gw750 Service Manual User Reviews and Ratings
 - Sakai Gw750 Service Manual and Bestseller Lists

5. Accessing Sakai Gw750 Service Manual Free and Paid eBooks
 - Sakai Gw750 Service Manual Public Domain eBooks
 - Sakai Gw750 Service Manual eBook Subscription Services
 - Sakai Gw750 Service Manual Budget-Friendly Options
6. Navigating Sakai Gw750 Service Manual eBook Formats
 - ePub, PDF, MOBI, and More
 - Sakai Gw750 Service Manual Compatibility with Devices
 - Sakai Gw750 Service Manual Enhanced eBook Features
7. Enhancing Your Reading Experience
 - Adjustable Fonts and Text Sizes of Sakai Gw750 Service Manual
 - Highlighting and Note-Taking Sakai Gw750 Service Manual
 - Interactive Elements Sakai Gw750 Service Manual
8. Staying Engaged with Sakai Gw750 Service Manual
 - Joining Online Reading Communities
 - Participating in Virtual Book Clubs
 - Following Authors and Publishers Sakai Gw750 Service Manual
9. Balancing eBooks and Physical Books Sakai Gw750 Service Manual
 - Benefits of a Digital Library
 - Creating a Diverse Reading Collection Sakai Gw750 Service Manual
10. Overcoming Reading Challenges
 - Dealing with Digital Eye Strain
 - Minimizing Distractions
 - Managing Screen Time
11. Cultivating a Reading Routine Sakai Gw750 Service Manual
 - Setting Reading Goals Sakai Gw750 Service Manual
 - Carving Out Dedicated Reading Time
12. Sourcing Reliable Information of Sakai Gw750 Service Manual
 - Fact-Checking eBook Content of Sakai Gw750 Service Manual
 - Distinguishing Credible Sources
13. Promoting Lifelong Learning

- Utilizing eBooks for Skill Development
 - Exploring Educational eBooks
14. Embracing eBook Trends
- Integration of Multimedia Elements
 - Interactive and Gamified eBooks

Sakai Gw750 Service Manual Introduction

In today's digital age, the availability of Sakai Gw750 Service Manual books and manuals for download has revolutionized the way we access information. Gone are the days of physically flipping through pages and carrying heavy textbooks or manuals. With just a few clicks, we can now access a wealth of knowledge from the comfort of our own homes or on the go. This article will explore the advantages of Sakai Gw750 Service Manual books and manuals for download, along with some popular platforms that offer these resources. One of the significant advantages of Sakai Gw750 Service Manual books and manuals for download is the cost-saving aspect. Traditional books and manuals can be costly, especially if you need to purchase several of them for educational or professional purposes. By accessing Sakai Gw750 Service Manual versions, you eliminate the need to spend money on physical copies. This not only saves you money but also reduces the environmental impact associated with book production and transportation. Furthermore, Sakai Gw750 Service Manual books and manuals for download are incredibly convenient. With just a computer or smartphone and an internet connection, you can access a vast library of resources on any subject imaginable. Whether you're a student looking for textbooks, a professional seeking industry-specific manuals, or someone interested in self-improvement, these digital resources provide an efficient and accessible means of acquiring knowledge. Moreover, PDF books and manuals offer a range of benefits compared to other digital formats. PDF files are designed to retain their formatting regardless of the device used to open them. This ensures that the content appears exactly as intended by the author, with no loss of formatting or missing graphics. Additionally, PDF files can be easily annotated, bookmarked, and searched for specific terms, making them highly practical for studying or referencing. When it comes to accessing Sakai Gw750 Service Manual books and manuals, several platforms offer an extensive collection of resources. One such platform is Project Gutenberg, a nonprofit organization that provides over 60,000 free eBooks. These books are primarily in the public domain, meaning they can be freely distributed and downloaded. Project Gutenberg offers a wide range of classic literature, making it an excellent resource for literature enthusiasts. Another popular platform for Sakai Gw750 Service Manual books and manuals is Open Library. Open Library is an initiative of the Internet Archive, a non-profit organization dedicated to digitizing cultural artifacts and making them accessible to the public. Open Library hosts millions of books, including both public domain works and contemporary titles. It also allows users to

borrow digital copies of certain books for a limited period, similar to a library lending system. Additionally, many universities and educational institutions have their own digital libraries that provide free access to PDF books and manuals. These libraries often offer academic texts, research papers, and technical manuals, making them invaluable resources for students and researchers. Some notable examples include MIT OpenCourseWare, which offers free access to course materials from the Massachusetts Institute of Technology, and the Digital Public Library of America, which provides a vast collection of digitized books and historical documents. In conclusion, Sakai Gw750 Service Manual books and manuals for download have transformed the way we access information. They provide a cost-effective and convenient means of acquiring knowledge, offering the ability to access a vast library of resources at our fingertips. With platforms like Project Gutenberg, Open Library, and various digital libraries offered by educational institutions, we have access to an ever-expanding collection of books and manuals. Whether for educational, professional, or personal purposes, these digital resources serve as valuable tools for continuous learning and self-improvement. So why not take advantage of the vast world of Sakai Gw750 Service Manual books and manuals for download and embark on your journey of knowledge?

FAQs About Sakai Gw750 Service Manual Books

1. Where can I buy Sakai Gw750 Service Manual books? Bookstores: Physical bookstores like Barnes & Noble, Waterstones, and independent local stores. Online Retailers: Amazon, Book Depository, and various online bookstores offer a wide range of books in physical and digital formats.
2. What are the different book formats available? Hardcover: Sturdy and durable, usually more expensive. Paperback: Cheaper, lighter, and more portable than hardcovers. E-books: Digital books available for e-readers like Kindle or software like Apple Books, Kindle, and Google Play Books.
3. How do I choose a Sakai Gw750 Service Manual book to read? Genres: Consider the genre you enjoy (fiction, non-fiction, mystery, sci-fi, etc.). Recommendations: Ask friends, join book clubs, or explore online reviews and recommendations. Author: If you like a particular author, you might enjoy more of their work.
4. How do I take care of Sakai Gw750 Service Manual books? Storage: Keep them away from direct sunlight and in a dry environment. Handling: Avoid folding pages, use bookmarks, and handle them with clean hands. Cleaning: Gently dust the covers and pages occasionally.
5. Can I borrow books without buying them? Public Libraries: Local libraries offer a wide range of books for borrowing. Book Swaps: Community book exchanges or online platforms where people exchange books.

6. How can I track my reading progress or manage my book collection? Book Tracking Apps: Goodreads, LibraryThing, and Book Catalogue are popular apps for tracking your reading progress and managing book collections. Spreadsheets: You can create your own spreadsheet to track books read, ratings, and other details.
7. What are Sakai Gw750 Service Manual audiobooks, and where can I find them? Audiobooks: Audio recordings of books, perfect for listening while commuting or multitasking. Platforms: Audible, LibriVox, and Google Play Books offer a wide selection of audiobooks.
8. How do I support authors or the book industry? Buy Books: Purchase books from authors or independent bookstores. Reviews: Leave reviews on platforms like Goodreads or Amazon. Promotion: Share your favorite books on social media or recommend them to friends.
9. Are there book clubs or reading communities I can join? Local Clubs: Check for local book clubs in libraries or community centers. Online Communities: Platforms like Goodreads have virtual book clubs and discussion groups.
10. Can I read Sakai Gw750 Service Manual books for free? Public Domain Books: Many classic books are available for free as they're in the public domain. Free E-books: Some websites offer free e-books legally, like Project Gutenberg or Open Library.

Find Sakai Gw750 Service Manual :

[physical science paper1 memorandum exemplar](#)

[physical science paper 2014 exemplar](#)

[physical science fission and fusion worksheet](#)

[physical science 9th edition lab manual answers](#)

physical science grade 11 june exam paper 2

physical metallurgy principles si edition

[physical science guided reading and study workbook 8 2](#)

physical science grade paper 1

[physical science memo grade 1 paper 1](#)

[physical geography in diagrams](#)

[physical science notebook chapter 11 answers](#)

[physical science paper1 grade 10 nsc november 2013 memo](#)

[physical methods for chemistry drago manual solution](#)

physical paper term 4 final examination 2012 scope
~~physical chemistry solutions manual simon~~

Sakai Gw750 Service Manual :

child medical history template pdf templates jotform - Feb 18 2022

web this medical history and physical form for adolescents as one of the most working sellers here will very be in the course of the best options to review health services

the history of adolescent medicine pediatric research nature - Jul 26 2022

web find aap guidance on the preparticipation physical exam including downloadable medical history forms the physical exam form medical eligibility forms and information

the history and physical examination pmc national center for - Mar 02 2023

web first online 02 december 2019 1268 accesses 1 citations abstract with some exceptions the history and physical examinations must be tailored to pediatric patients

the adolescent patient clinical methods ncbi - Jun 05 2023

web jan 1 1982 this chapter presents a comprehensive teen health form used for physical examination and the knowledge of health history of adolescents the form aids the

ppe preparticipation physical evaluation american academy of - May 24 2022

web aug 26 2020 introduction depression and anxiety are common diagnoses among adolescents per the centers for disease control and prevention 7 1 and 3 2 of

medical history form adolescent child family development - Aug 07 2023

web jul 25 2023 summary taking a history and performing a physical examination with children differs from adults and comes with a set of unique challenges symptoms are

pediatrics history and physical examination knowledge - Jul 06 2023

web 1 to understand the content differences in obtaining a medical history on a pediatric patient compared to an adult a to understand how the age of the child has an impact

the pediatric physical examination general principles and - Nov 29 2022

web jun 1 2020 the new history form incorporates the patient health questionnaire 4 a brief screen for depression and anxiety symptoms athletes with a positive screen should

2021 pediatric and adolescent preventive health guidelines - Apr 22 2022

web signature shared by jotform in medical history cloned 2 064 health care forms are ubiquitous in doctors offices it s

critical healthcare professional have those critical

the pediatric history and physical examination - Dec 31 2022

web 2 days ago adolescent health overview more adolescence is the phase of life between childhood and adulthood from ages 10 to 19 it is a unique stage of human development

clinical practice guidelines for assessment of children and - Sep 08 2023

web today s date identifying information child s name reason for referral referred by reason for visit when was the reason first noticed by whom previous

young child health history form agency for healthcare - Aug 27 2022

web do whatever you want with a medical history and physical form for adolescents pdf fill sign print and send online instantly securely download your document with other

physical exam adolescent male nationwide children s hospital - Nov 17 2021

web november 7 2023 3 34 pm a former south shore medical center pediatrician is facing rape and assault charges after he allegedly sexually abused young girls during their

the bone health history and physical examination in - Feb 01 2023

web jul 17 2023 on occasion a limited or inadequate examination may miss a significant condition mass lesion or potentially life threatening condition the general principles

adolescent identity the importance of the social history - Mar 22 2022

web jul 5 2016 get your kids medical history form printables here i ve printed a set for each of my kids and added them to a binder to make one big family health binder

medical history and physical form for adolescents pdf - Dec 19 2021

web nov 8 2023 ozcinar zehra 2011 the relationship between internet addiction and communication educational and physical problems of adolescents in north cyprus

the comprehensive health history and physical - Apr 03 2023

web feb 10 2018 the history and physical examination h p is the clinician s best and most accessible tool to evaluate bone health in adolescents while core elements of the h p

the relationship between internet addiction and communication - Oct 17 2021

preparticipation physical evaluation aafp and others update - Sep 27 2022

web jul 1 2003 31 citations 9 altmetric metrics abstract the field of adolescent medicine is unique as a subspecialty in that the practice of providing care to teenagers has always

adolescent health world health organization who - Oct 29 2022

web this child health history form and any other important medical records a complete copy of the child s immunization shot records the child s insurance information any

pediatric history physical exam university of utah - May 04 2023

web may 15 2009 the following review of the medical history and physical examination in children with respiratory disease includes some observations that were made with the

norwell pediatrician accused of assaulting girls during physicals - Sep 15 2021

fillable online medical history and physical form for - Jun 24 2022

web jul 18 2021 2021 pediatric and adolescent preventive health guidelines page 5 of 12 history and physical exam description references annual dental exam child abuse

guide to the comprehensive pediatric h p write up - Oct 09 2023

web a clinician needs to take a detailed medical history and conduct appropriate physical examination and laboratory investigations where needed to support or refute the

kids medical history form printables for back to school prep - Jan 20 2022

web aug 1 2023 physicals should be done yearly and before starting sports the healthcare provider will examine your teen s eyes which may include checking vision and the

passer son permis traduction anglaise linguee - May 05 2022

web comment ra c ussir son permis de conduire sans se 3 3 logic once it can be perceived in this important new study dr orledge reveals what made satie tick as a

comment ra c ussir son permis de conduire sans se - Jun 18 2023

web comment réussir son permis de conduire sans se ruiner jul 30 2023 le permis de conduire une épreuve à laquelle se confrontent près d un million et demi de candidats

comment réussir son permis de conduire nos conseils - Aug 20 2023

web comment ra c ussir son permis de conduire sans se is clear in our digital library an online permission to it is set as public for that reason you can download it instantly our

permis de conduire traduction anglaise linguee - Jun 06 2022

web 2 comment ra c ussir son permis de conduire sans se 2023 08 29 three characters students whose research projects demonstrate the challenges and excitement of

comment ra c ussir son permis de conduire sans se full pdf - Mar 03 2022

web comment réussir son permis de conduire sans se ruiner by patrick roland russir conjugaison de tous les verbes avec le conjugueur espas ra 2017 clean

permis de conduire définition simple et facile du dictionnaire - Jul 07 2022

web que se passe t il si un nouveau de catégorie g2 huit mois avant la date d expiration de son permis il n est pas obligé de passer à nouveau l examen pour conserver son

top 10 des astuces pour réussir son permis de conduire - Sep 21 2023

web russir son code de la route rapidement permis de conduire apprendre le franais cours et bonjour de france pdf le merce de permis d mission de gaz effet de russir passer

faire convertir son permis de conduire français à singapour - Jan 13 2023

web 2 comment ra c ussir son permis de conduire sans se 2020 06 18 explanations as well as the opportunity to practice their reading writing and speaking skills in numerous

comment ra c ussir son permis de conduire sans se - Mar 15 2023

web nov 20 2012 même si vous ne souhaitez pas conduire à singapour il y a plusieurs intérêt à avoir un permis singapourien permis international il n est pas possible de faire un

comment réussir son permis de conduire sans se ruiner by - Jan 01 2022

comment réussir son permis de conduire sans se ruiner by - Oct 10 2022

web si vous n avez pas encore de permis vous devrez passer le btt ainsi que l examen théorique avancé et l examen pratique de conduite en cas de succès l étape suivante

comment reussir son permis de conduire sans se ru - Sep 09 2022

web automobile le permis de conduire est un examen qui donne l autorisation de conduire un véhicule motorisé et qui consiste en une partie théorique sur le code de la route et

comment ra c ussir son permis de conduire sans se copy - May 17 2023

web comment ra c ussir son permis de conduire sans se criticism of the historians history of the war in ireland extracts from the correspondence of william iii jan 14

downloadable free pdfs comment ra c ussir son permis de - Apr 16 2023

web ce téléservice permet de faire une demande de permis de conduire à la suite de la réussite à un examen 1 re catégorie ou extension

comment ra c ussir son permis de conduire sans se - Nov 30 2021

[comment ra c ussir son permis de conduire sans se - Apr 04 2022](#)

web 2 comment ra c ussir son permis de conduire sans se 2023 02 21 sierra jillian the cota examination review guide sage erik satie remains one of the most bizarre

[contrôle routier quelles sanctions en cas de conduite sans - Dec 12 2022](#)

web oct 20 2023 comment réussir son permis de conduire sans se ruiner by patrick roland by aqwpmn ment r ussir votre jardin aquatique by espas ra 2017 clean

permis de conduire à singapour guide singapour expat com - Aug 08 2022

web possession d un permis de conduire pour se lancer dans la circulation europarl europa eu europarl europa eu a car driver n eeds a driving licence t o use the

comment ra c ussir son permis de conduire sans se copy - Oct 22 2023

web pronouncement comment ra c ussir son permis de conduire sans se that you are looking for it will agreed squander the time however below behind you visit this web page it will be consequently entirely easy to acquire as with ease as download lead comment

comment ra c ussir son permis de conduire sans se - Feb 02 2022

web 2 comment ra c ussir son permis de conduire sans se 2022 02 09 l rencontre duquel les vagues viennent invariablement a picture book of louis braille rÃ ussir par

[comment réussir son permis de conduire sans se ruiner by - Jul 19 2023](#)

web comment ra c ussir son permis de conduire sans se le permis de conduire des automobilistes jul 08 2022 guide de renseignements sur le permis de conduire par

comment ra c ussir son permis de conduire sans se 2022 - Nov 11 2022

web comment réussir son permis de conduire sans se ruinerj ai lu permis de procréer scarecrow press pas de blabla que du rÉsultat comment gagner aux

[demande en ligne de permis de conduire à la suite de la réussite - Feb 14 2023](#)

web aug 20 2021 vous avez le permis n avez pas le permis utilisez un permis faux ou falsifié afficher les informations accéder aux informations générales sans renseigner ma

[boying up how to be brave bold and brilliant hardcover - Jan 10 2023](#)

web may 8 2018 mayim bialik jeopardy host and star of the big bang theory and author of the 1 bestseller girling up puts her ph d to work to talk to teen boys about the science and pressures of growing up male in today s world a must have book for all teenage boys

boying up how to be brave bold and brilliant paperback - Feb 11 2023

web book description mayim bialik star of the big bang theory and author of the 1 bestseller girling up puts her ph d to work to talk to teen boys about the science and pressures of growing up male in today s world a must have book for all teenage boys

boying up how to be brave bold and brilliant goodreads - Aug 17 2023

web may 8 2018 book boying up how to be brave bold and brilliant author missmayim genre youngadultnonfiction rating 4 6 boying up is a very interesting and informative book on the process of growth from tween to teen the process of akward self encounters learning about yourself and about being yourself

[boying up how to be brave bold and brilliant google books](#) - Apr 13 2023

web boying up how to be brave bold and brilliant mayim bialik penguin may 14 2019 young adult nonfiction 224 pages 0 reviews reviews aren t verified but google checks for and removes

[boying up how to be brave bold and brilliant amazon com](#) - Jul 04 2022

web boying up how to be brave bold and brilliant audible audiobook unabridged mayim bialik author narrator listening library publisher 4 5 297 ratings see all formats and editions kindle 7 99 read with our free app audiobook 0 00 free with your audible trial

[boying up how to be brave bold and brilliant hardcover](#) - Oct 07 2022

web mayim bialik star of the big bang theory and author of the 1 bestseller girling up puts her ph d to work to talk to teen boys about the science and pressures of growing up male in today s world a must have book for all teenage boys

[boying up how to be brave bold and brilliant engl](#) - Oct 19 2023

web boying up how to be brave bold and brilliant engl voices of the 21st century nov 26 2020 fifty women share their stories challenging the status quo bringing once dark topics to light and introducing new ways of thinking dare to be you may 01 2021 have you ever felt called to do something something in your gut is so strong but you say

boying up how to be brave bold and brilliant google books - Jun 15 2023

web may 8 2018 boying up how to be brave bold and brilliant mayim bialik google books mayim bialik star of the big bang theory and author of the 1 bestseller girling up puts her ph d to

boying up how to be brave bold and brilliant paperback - Nov 08 2022

web buy boying up how to be brave bold and brilliant reprint by bialik mayim isbn 9780525515999 from amazon s book store everyday low prices and free delivery on eligible orders

[boying up how to be brave bold and brilliant paperback](#) - Dec 09 2022

web may 14 2019 using personal anecdotes as an overly observant mother of two boys and plenty of scientific information from her life as a neuroscientist mayim bialik phd star of the big bang theory talks directly to teen boys about what it means

to grow from a boy to a man biologically psychologically and sociologically

boying up how to be brave bold and brilliant amazon com - Sep 18 2023

web may 8 2018 amazon com boying up how to be brave bold and brilliant 9780525515975 bialik mayim books

boying up how to be brave bold and brilliant hardcover - Mar 12 2023

web may 8 2018 buy boying up how to be brave bold and brilliant by bialik mayim isbn 9780525515975 from amazon s book store everyday low prices and free delivery on eligible orders

boying up how to be brave bold and brilliant engl full pdf - Apr 01 2022

web boying up how to be brave bold and brilliant engl lebron james 23 the boy who would grow up to be nba basketball player children s book the boy the mole the fox and the horse my princess boy what s going on down there stephen curry 30 the boy who would grow up to be stephen curry basketball player children s book the boy

boying up how to be brave bold and brilliant hardcover - May 14 2023

web mayim bialik jeopardy host and star of the big bang theory and author of the 1 bestseller girling up puts her ph d to work to talk to teen boys about the science and pressures of growing up male in today s world a must have book for all teenage boys

boying up how to be brave bold and brilliant amazon in - Aug 05 2022

web boying up how to be brave bold and brilliant bialik mayim amazon in books

boying up how to be brave bold and brilliant unabridged - Jun 03 2022

web may 8 2018 publisher description mayim bialik jeopardy host and star of the big bang theory and author of the 1 bestseller girling up puts her ph d to work to talk to teen boys about the science and pressures of growing up male in today s world a must have book for all teenage boys

boying up how to be brave bold and brilliant hardcover - Jul 16 2023

web boying up how to be brave bold and brilliant bialik mayim amazon sg books

boying up how to be brave bold and brilliant amazon com - Feb 28 2022

web may 8 2018 mayim bialik star of the big bang theory and author of the 1 bestseller girling up puts her ph d to work to talk to teen boys about the science and pressures of growing up male in today s world a must have book for all teenage boys

boying up how to be brave bold and brilliant kindle edition - Sep 06 2022

web boying up how to be brave bold and brilliant ebook bialik mayim amazon in kindle store

read free boying up how to be brave bold and brilliant engl - May 02 2022

web boying up how to be brave bold and brilliant engl how to be successful and get everything you want in life apr 10 2022

web dec 6 2021 5 how to be successful in life 8 ways to be successful in life 1 stop looking for the silver bullet 2 start

creating better goals 3 stop looking for validation 4 start living your dreams 5 stop