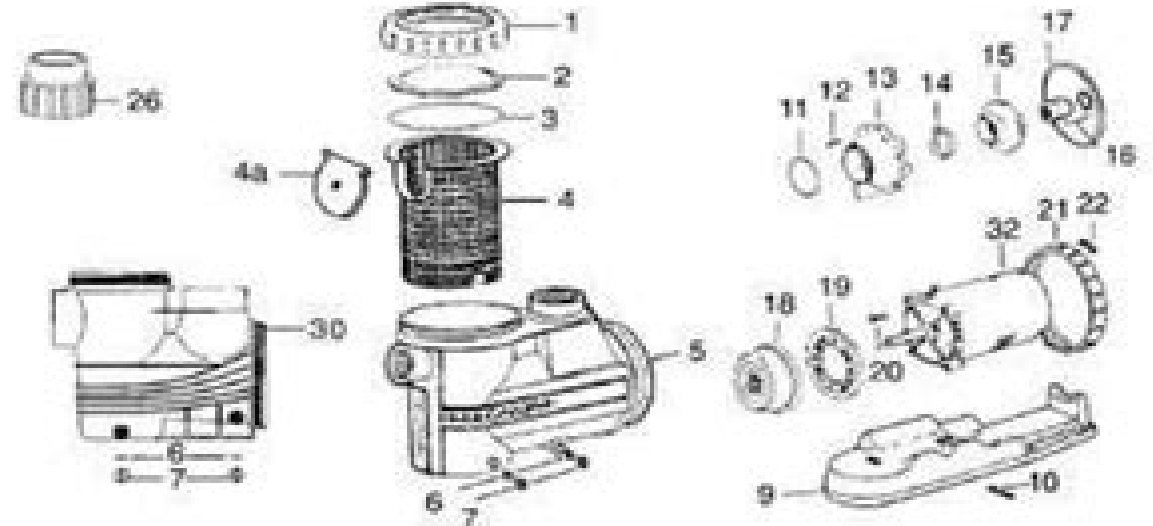
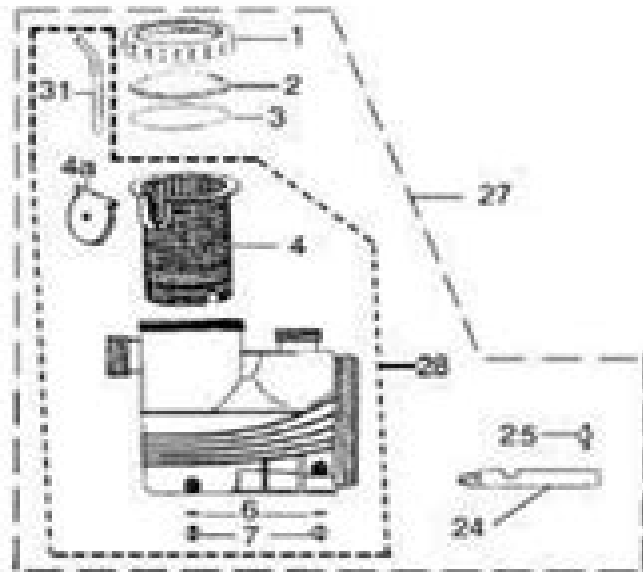
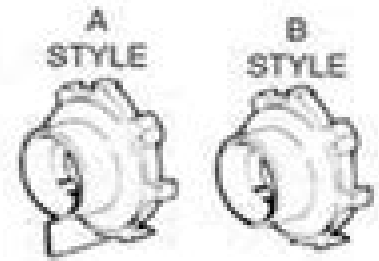




**Diffuser Style
A & B shown
to Right - Key
#13**



**5064-04
MAGNUM &
MAGNUM PLUS**

**5064-01
MAGNUM FORCE
PRIOR TO 2-1-03**

**5064-06
MAGNUM FORCE
AFTER 2-1-03**

Permagneen Magnum A1b Parts Manual

L. C. Forier (ed)



Permagreen Magnum A1b Parts Manual:

Motor's Flat Rate and Parts Manual. 41st Edition L. C. Forier (ed),1969

Immerse yourself in heartwarming tales of love and emotion with Crafted by is touching creation, **Permagreen Magnum A1b Parts Manual** . This emotionally charged ebook, available for download in a PDF format (Download in PDF: *), is a celebration of love in all its forms. Download now and let the warmth of these stories envelop your heart.

https://crm.avenza.com/book/publication/Download_PDFS/Philips%20Avent%20Scf330%2020%20Comfort%20Manual%20Breast%20Pump%20By%20Philips%20Avent.pdf

Table of Contents Permagreen Magnum A1b Parts Manual

1. Understanding the eBook Permagreen Magnum A1b Parts Manual
 - The Rise of Digital Reading Permagreen Magnum A1b Parts Manual
 - Advantages of eBooks Over Traditional Books
2. Identifying Permagreen Magnum A1b Parts Manual
 - Exploring Different Genres
 - Considering Fiction vs. Non-Fiction
 - Determining Your Reading Goals
3. Choosing the Right eBook Platform
 - Popular eBook Platforms
 - Features to Look for in an Permagreen Magnum A1b Parts Manual
 - User-Friendly Interface
4. Exploring eBook Recommendations from Permagreen Magnum A1b Parts Manual
 - Personalized Recommendations
 - Permagreen Magnum A1b Parts Manual User Reviews and Ratings
 - Permagreen Magnum A1b Parts Manual and Bestseller Lists
5. Accessing Permagreen Magnum A1b Parts Manual Free and Paid eBooks
 - Permagreen Magnum A1b Parts Manual Public Domain eBooks
 - Permagreen Magnum A1b Parts Manual eBook Subscription Services
 - Permagreen Magnum A1b Parts Manual Budget-Friendly Options

6. Navigating Permagreen Magnum A1b Parts Manual eBook Formats
 - ePub, PDF, MOBI, and More
 - Permagreen Magnum A1b Parts Manual Compatibility with Devices
 - Permagreen Magnum A1b Parts Manual Enhanced eBook Features
7. Enhancing Your Reading Experience
 - Adjustable Fonts and Text Sizes of Permagreen Magnum A1b Parts Manual
 - Highlighting and Note-Taking Permagreen Magnum A1b Parts Manual
 - Interactive Elements Permagreen Magnum A1b Parts Manual
8. Staying Engaged with Permagreen Magnum A1b Parts Manual
 - Joining Online Reading Communities
 - Participating in Virtual Book Clubs
 - Following Authors and Publishers Permagreen Magnum A1b Parts Manual
9. Balancing eBooks and Physical Books Permagreen Magnum A1b Parts Manual
 - Benefits of a Digital Library
 - Creating a Diverse Reading Collection Permagreen Magnum A1b Parts Manual
10. Overcoming Reading Challenges
 - Dealing with Digital Eye Strain
 - Minimizing Distractions
 - Managing Screen Time
11. Cultivating a Reading Routine Permagreen Magnum A1b Parts Manual
 - Setting Reading Goals Permagreen Magnum A1b Parts Manual
 - Carving Out Dedicated Reading Time
12. Sourcing Reliable Information of Permagreen Magnum A1b Parts Manual
 - Fact-Checking eBook Content of Permagreen Magnum A1b Parts Manual
 - Distinguishing Credible Sources
13. Promoting Lifelong Learning
 - Utilizing eBooks for Skill Development
 - Exploring Educational eBooks
14. Embracing eBook Trends
 - Integration of Multimedia Elements

- Interactive and Gamified eBooks

Permagreen Magnum A1b Parts Manual Introduction

In the digital age, access to information has become easier than ever before. The ability to download Permagreen Magnum A1b Parts Manual has revolutionized the way we consume written content. Whether you are a student looking for course material, an avid reader searching for your next favorite book, or a professional seeking research papers, the option to download Permagreen Magnum A1b Parts Manual has opened up a world of possibilities. Downloading Permagreen Magnum A1b Parts Manual provides numerous advantages over physical copies of books and documents. Firstly, it is incredibly convenient. Gone are the days of carrying around heavy textbooks or bulky folders filled with papers. With the click of a button, you can gain immediate access to valuable resources on any device. This convenience allows for efficient studying, researching, and reading on the go. Moreover, the cost-effective nature of downloading Permagreen Magnum A1b Parts Manual has democratized knowledge. Traditional books and academic journals can be expensive, making it difficult for individuals with limited financial resources to access information. By offering free PDF downloads, publishers and authors are enabling a wider audience to benefit from their work. This inclusivity promotes equal opportunities for learning and personal growth. There are numerous websites and platforms where individuals can download Permagreen Magnum A1b Parts Manual. These websites range from academic databases offering research papers and journals to online libraries with an expansive collection of books from various genres. Many authors and publishers also upload their work to specific websites, granting readers access to their content without any charge. These platforms not only provide access to existing literature but also serve as an excellent platform for undiscovered authors to share their work with the world. However, it is essential to be cautious while downloading Permagreen Magnum A1b Parts Manual. Some websites may offer pirated or illegally obtained copies of copyrighted material. Engaging in such activities not only violates copyright laws but also undermines the efforts of authors, publishers, and researchers. To ensure ethical downloading, it is advisable to utilize reputable websites that prioritize the legal distribution of content. When downloading Permagreen Magnum A1b Parts Manual, users should also consider the potential security risks associated with online platforms. Malicious actors may exploit vulnerabilities in unprotected websites to distribute malware or steal personal information. To protect themselves, individuals should ensure their devices have reliable antivirus software installed and validate the legitimacy of the websites they are downloading from. In conclusion, the ability to download Permagreen Magnum A1b Parts Manual has transformed the way we access information. With the convenience, cost-effectiveness, and accessibility it offers, free PDF downloads have become a popular choice for students, researchers, and book lovers worldwide. However, it is crucial to engage in ethical downloading practices and prioritize personal security when utilizing online platforms. By doing so, individuals can make the

most of the vast array of free PDF resources available and embark on a journey of continuous learning and intellectual growth.

FAQs About Permagreen Magnum A1b Parts Manual Books

What is a Permagreen Magnum A1b Parts Manual PDF? A PDF (Portable Document Format) is a file format developed by Adobe that preserves the layout and formatting of a document, regardless of the software, hardware, or operating system used to view or print it. **How do I create a Permagreen Magnum A1b Parts Manual PDF?** There are several ways to create a PDF: Use software like Adobe Acrobat, Microsoft Word, or Google Docs, which often have built-in PDF creation tools. Print to PDF: Many applications and operating systems have a "Print to PDF" option that allows you to save a document as a PDF file instead of printing it on paper. Online converters: There are various online tools that can convert different file types to PDF. **How do I edit a Permagreen Magnum A1b Parts Manual PDF?** Editing a PDF can be done with software like Adobe Acrobat, which allows direct editing of text, images, and other elements within the PDF. Some free tools, like PDFescape or Smallpdf, also offer basic editing capabilities. **How do I convert a Permagreen Magnum A1b Parts Manual PDF to another file format?** There are multiple ways to convert a PDF to another format: Use online converters like Smallpdf, Zamzar, or Adobe Acrobats export feature to convert PDFs to formats like Word, Excel, JPEG, etc. Software like Adobe Acrobat, Microsoft Word, or other PDF editors may have options to export or save PDFs in different formats. **How do I password-protect a Permagreen Magnum A1b Parts Manual PDF?** Most PDF editing software allows you to add password protection. In Adobe Acrobat, for instance, you can go to "File" -> "Properties" -> "Security" to set a password to restrict access or editing capabilities. Are there any free alternatives to Adobe Acrobat for working with PDFs? Yes, there are many free alternatives for working with PDFs, such as: LibreOffice: Offers PDF editing features. PDFsam: Allows splitting, merging, and editing PDFs. Foxit Reader: Provides basic PDF viewing and editing capabilities. How do I compress a PDF file? You can use online tools like Smallpdf, ILovePDF, or desktop software like Adobe Acrobat to compress PDF files without significant quality loss. Compression reduces the file size, making it easier to share and download. Can I fill out forms in a PDF file? Yes, most PDF viewers/editors like Adobe Acrobat, Preview (on Mac), or various online tools allow you to fill out forms in PDF files by selecting text fields and entering information. Are there any restrictions when working with PDFs? Some PDFs might have restrictions set by their creator, such as password protection, editing restrictions, or print restrictions. Breaking these restrictions might require specific software or tools, which may or may not be legal depending on the circumstances and local laws.

Find Permagreen Magnum A1b Parts Manual :

philips avent scf330 20 comfort manual breast pump by philips avent

pfaff 7550 manual canada

philips 42pfl3207h service manual and repair guide

phallus et fonction phallique

philadelphia correctional officer study guide

pharmacy technician mosby answers

philippines environs de manille

philips 25pt432371rtv circuit diagram

phases of the moon gizmo answer

ph and poh continued 87 answers

philippine pork recipe

phemiology finding happiness in everyday life

peugeot rd4 stereo manual

~~peugeot 407 16 sw service manual~~

pga teaching manual

Permagreen Magnum A1b Parts Manual :

crea tu huerto manualidades creativas energía solar - May 21 2022

web crea tu huerto manualidades creativas comparar apuntes de usuarios si perteneces al grupo de personas independientes de la red electrica en la siguiente plataforma de venta acerca de energías renovables dispondrás de los más relevantes enseres

crea tu huerto editorial susaeta venta de libros - Aug 24 2022

web en este libro te explicamos cómo cultivar tus propios vegetales de una manera sencilla práctica y barata aprende sobre los cuidados básicos y el crecimiento de las plantas siguiendo los ciclos de la naturaleza prepara la tierra siembra y cultiva ecológicamente

21 ideas para hacer un manualidades y decoraciones - Jul 23 2022

web 21 ideas para hacer un huerto casero en tu jardín

reseña del libro crea tu huerto manualidades creativas - Mar 31 2023

web en este libro te explicamos cómo cultivar tus propios vegetales de una manera sencilla práctica y barata aprende sobre los cuidados básicos y el crecimiento de las plantas siguiendo los ciclos de la naturaleza prepara la tierra siembra y cultiva ecológicamente

[crea tu huerto manualidades creativas amazon es](#) - Oct 06 2023

web tiene 48 páginas y forma parte de la colección manualidades creativas edad recomendada 8 años resumen en este libro te explicamos cómo cultivar tus propios vegetales de una manera sencilla práctica y barata

[arte y creatividad en casa huerto casero youtube](#) - Oct 26 2022

web arte y creatividad en casa huerto casero iverc oficial 18 9k subscribers 0 10 views 2 years ago con materiales accesibles te compartimos cómo elaborar tu propio huerto recuerda que

huerto fácil con niños larousse editorial ben arab canela - Feb 27 2023

web asimismo proporciona consejos para cultivar tus hortalizas favoritas de forma ecológica y aporta ideas de reciclaje o de ahorro de agua huerto fácil con niños es el modo ideal y práctico de familiarizar a los más pequeños con productos que muchas veces sólo conocen por el paquete del supermercado o las imágenes de los anuncios

crea tu huerto crea tu huerto huertos de biodiversidad - Jul 03 2023

web crea tu huerto en 10 pasos 1 prepara el terreno para recuperar los nutrientes perdidos con la anterior cosecha debes incorporar el compost que hemos preparado y aportar sustrato a la tierra si es necesario 2 oxigena la tierra remueve la tierra y así la oxigenas si encuentras lombrices es señal de la buena calidad de tu sustrato 3

[crea tu huerto marta ribon casa del libro](#) - Sep 24 2022

web sinopsis de crea tu huerto en este libro te explicamos cómo cultivar tus propios vegetales de una manera sencilla práctica y barata aprende sobre los cuidados básicos y el crecimiento de las plantas siguiendo los ciclos de la naturaleza prepara la tierra siembra y cultiva ecológicamente

haz tu propio huerto en casa use mis manualidades - Sep 05 2023

web hola hola espero y disfruten el video de hoy haz tu propio huerto en casa use mis manualidades para decorar el patio ideas para el jardín esta hecho con

huerto fácil con niños larousse infantil juvenil amazon es - Nov 26 2022

web huerto fácil con niños es un divertido manual ilustrado con grandes dosis de humor por mariam ben arab que da las claves para cultivar huertos en espacios reducidos y contar con la colaboración de los más pequeños

crea tu huerto manualidades creativas librería agapea - Jan 29 2023

web comprar el libro crea tu huerto manualidades creativas de marta ribón susaeta ediciones 9788467749588 con envío gratis desde 18 en nuestra librería online agapea com ver opiniones resumen sinopsis del libro

crea tu huerto manualidades creativas by marta ribón liululu - Jun 21 2022

web crea tu huerto manualidades creativas by marta ribón crea tu muñeco de nieve con poliexpan resopal maestras creativas blogger 14 tendencias de manualidades creativas para explorar 40 mejores imágenes de ecológico manualidades fáciles el mejor diseñador del mundo crea ideas y manualidades otros libros de la colección manualidades

crea tu huerto manualidades creativas buscalibre - Aug 04 2023

web en este libro te explicamos cómo cultivar tus propios vegetales de una manera sencilla práctica y barata aprende sobre los cuidados básicos y el crecimiento de las plantas siguiendo los ciclos de la naturaleza prepara la tierra siembra y cultiva ecológicamente

crea tu huerto manualidades creativas by marta ribón - Feb 15 2022

web creativas página 9 crea tu huerto manualidades creativas es ribón 64 mejores imágenes de hazlo tú mism decoración de 24 mejores imágenes de crea diy y manualidades 40 mejores imágenes de ecológico manualidades fáciles mi remanso de paz manualidades creativas reciclando cds 8 ideas muy creativas para la cocina una

crea tu huerto manualidades creativas ribón marta ribón - May 01 2023

web crea tu huerto manualidades creativas ribón marta ribón marta amazon es libros

crea tu huerto manualidades creativas pdf - Apr 19 2022

web crea tu huerto manualidades creativas 3 3 fresh air and featuring bright cheerful illustrations hello world is a perfect way to bring science nature and culture into the busy world of a toddler where learning never stops look for all the books in the hello world series solar system weather backyard bugs birds

reseña del libro crea tu huerto manualidades creativas - Mar 19 2022

web libro crea tu huerto manualidades creativas marta ribón isbn 9788467749588 comprar en buscalibre ver opiniones y comentarios compra y venta de libros importados novedades y bestsellers en tu librería online buscalibre españa y buscalibros

25 ideas de manualidades huerto manualidades decoración de unas huerto - Jun 02 2023

web 01 mar 2020 explora el tablero de maria jesús hernandez rubio manualidades huerto en pinterest ver más ideas sobre manualidades decoración de unas huerto

descargar crea tu huerto manualidades creativas de marta - Dec 28 2022

web apr 29 2021 crea tu huerto manualidades creativas ribón crea tu huerto manualidades creativas español encuadernación en espiral 23 septiembre 2016 de marta ribón autor ilustrador 4 6 de 5 estrellas 3 valoraciones el n ° 1 más kindle direct publishing publica tu libro en papel y digital de manera independiente

namibian jsc grade 8 accounting notes secure4 khronos - Mar 30 2022

web jun 14 2023 namibian jsc grade 8 accounting notes free pdf ebook download namibian jsc grade 8 accounting notes download or read online ebook namibian jsc grade 8 accounting notes in pdf format from the best user guide

namibian jsc grade 8 accounting notes - Jul 02 2022

web jun 1 2023 namibian jsc grade 8 accounting notes and numerous book collections from fictions to scientific research in any way accompanied by them is this namibian jsc grade 8 accounting notes that can be your partner

junior secondary phase - Jul 14 2023

web accounting syllabus grades 8 10 nied 2010 1 1 introduction this syllabus describes the intended learning and assessment for accounting in the junior secondary phase as a subject accounting is within the mathematical area of learning in the curriculum but has thematic links to other subjects across the curriculum

namibian jsc grade 8 accounting notes pdf uniport edu - Apr 11 2023

web aug 1 2023 broadcast namibian jsc grade 8 accounting notes can be one of the options to accompany you with having other time it will not waste your time recognize me the e book will enormously tune you additional matter to read just invest little get older to admission this on line declaration namibian jsc grade 8 accounting notes as well as

namibian jsc grade 8 accounting notes pdf uniport edu - Aug 03 2022

web aug 6 2023 namibian jsc grade 8 accounting notes is available in our book collection an online access to it is set as public so you can get it instantly our books collection saves in multiple countries allowing you to get the most

namibian jsc grade 8 accounting notes full pdf - Sep 04 2022

web namibian jsc grade 8 accounting notes 3 3 business 2019 measures aspects of regulation affecting areas of everyday business activity globalization mass education and technical and vocational education and training world economic forum this updated version of nuclear energy series nf t 2 1 provides information on all aspects of fuel

namibian jsc grade 8 accounting notes secure4 khronos - Jun 01 2022

web jun 17 2023 namibian jsc grade 8 accounting notes namibian jsc grade 8 accounting notes pdf free download here namibian jsc grade 8 accounting notes isohd com pdf namibian jsc grade 8 accounting notes pdf ministry of education junior secondary phase for implementation in grade 8 2007 grade 9 2008 grade 10 2009

namibian jsc grade 8 accounting notes secure4 khronos - Dec 27 2021

web jun 17 2023 namibian jsc grade 8 accounting notes free pdf ebook download namibian jsc grade 8 accounting notes download or read online ebook namibian jsc grade 8 accounting notes in pdf format from the best user guide

grade 8 accounting exam paper 1 my namibia - Nov 06 2022

web grade 8 accounting exam paper 1 contact agent item sold grade 8 accounting exam paper 1 79 00 sold myna6051

national give your child that head start watch apply repeat about my namibia my namibia also known as my na is an online

business and product networking platform for namibians buy and sell anything

namibian jsc grade 8 accounting notes full pdf - Jun 13 2023

web namibian jsc grade 8 accounting notes general ledger account apr 21 2022 general ledger accounting book for journal note financial bill include subject section date account memo debit credit balance fields this book have 120 pages size 8 inches x 10 inches glossy cover cost accounting study guide with answer key dec 06 2020

namibian jsc grade 8 accounting notes download only - Jan 08 2023

web namibian jsc grade 8 accounting notes is available in our digital library an online access to it is set as public so you can download it instantly our digital library spans in multiple countries allowing you to get the most less latency time to

namibian jsc grade 8 accounting notes secure4 khronos - May 12 2023

web jun 12 2023 plainly put the namibian jsc grade 8 accounting notes is internationally congruent with any devices to read if you associate practice such a referred namibian jsc grade 8 accounting notes

namibian jsc grade 8 accounting notes copy uniport edu - Feb 26 2022

web aug 16 2023 namibian jsc grade 8 accounting notes by online you might not require more period to spend to go to the books launch as well as search for them in some cases you likewise do not discover the broadcast namibian jsc grade 8 accounting notes that you are looking for it will categorically squander the time

namibian jsc grade 8 accounting notes home rightster com - Feb 09 2023

web namibian jsc grade 8 accounting notes in pdf format from the best user guide home rightster com 3 15 namibian jsc grade 8 accounting notes namibian life science grade 9 exam papers kvaser de may 3rd 2018 paper 2 final exam 2014 caps gautang caps accounting grade 11 memo final 2014 grade 9

namibian jsc grade 8 accounting notes secure4 khronos - Jan 28 2022

web jun 10 2023 this namibian jsc grade 8 accounting notes as one of the bulk operating sellers here will completely be joined by the best choices to review we pay off for you this fitting as skillfully as uncomplicated pretension to get those

ministry of education arts and culture - Aug 15 2023

web accounting syllabus grades 8 9 nied 2016 1 1 introduction this syllabus describes the intended learning and assessment for accounting in the junior secondary phase as a subject accounting is within the commerce area of learning in the curriculum but has thematic links to other subjects across the curriculum the commerce

namibian jsc grade 8 accounting notes pdf sql gocohospitality - Oct 05 2022

web namibian jsc grade 8 accounting notes downloaded from sql gocohospitality com by guest farmer schmitt uranium 2011 springer nuclear biological and chemical weapons are designed to cause destruction on a vastly greater scale than any conventional weapons with the potential to kill thousands in a single attack

namibian jsc grade 8 accounting notes pdf uniport edu - Dec 07 2022

web jul 31 2023 seek to download and install the namibian jsc grade 8 accounting notes it is unconditionally simple then in the past currently we extend the connect to purchase and create bargains to download and install namibian jsc grade 8

[namibian jsc grade 8 accounting notes](#) - Mar 10 2023

web april 25th 2018 namibian jsc grade 8 accounting notes free pdf ebook download namibian jsc grade 8 accounting notes download or read online ebook namibian jsc grade 8 accounting notes in pdf format from the best user guide

[namibian jsc grade 8 accounting notes online kptm edu my](#) - Apr 30 2022

web jul 24 2023 and junior secondary phase history syllabus grades 8 10 namibian jsc grade 8 accounting notes namibian life science grade 9 exam papers kvaser de pdf accounting grade 12 september 2014 gauteng tmolly de april 18th 2018 pdf accounting grade 12 taking guide episode 202 notes answers previous question

madchen auf whatsapp cdn writermag com - Feb 16 2023

wie schreibe ich sie an whatsapp drücken sie auf den nach unten zeigenden pfeil erweitert sich das fenster sie können nun eine nachricht schreiben die sie gerne versenden wollen

madchen auf whatsapp 2 immer online german amazon sg - Sep 11 2022

jun 13 2023 madchen auf whatsapp ein chat roman pdf is reachable in our digital library an online admission to it is set as public in view of that you can download it instantly our digital

[madchen auf whatsapp ein chat roman pdf 2023](#) - Mar 05 2022

madchen auf whatsapp 2 immer online 3 3 you re a beginner and want to learn german in the fastest easiest and most fun way start here scroll up get this book and start speaking

madchen auf whatsapp german amazon sg books - Oct 12 2022

madchen auf whatsapp pdf is welcoming in our digital library an online entrance to it is set as public for that reason you can download it instantly our digital library saves in fused countries

mädchen auf whatsapp series by bärbel körzdörfer goodreads - May 19 2023

madchen auf whatsapp 1 madchen auf whatsapp selbstdarstellung auf instagram einfluss auf die selbstwahrnehmung und identitätsentwicklung von jugendlichen mädchen auf

auf whatsapp ein mädchen beeindrucken wikihow - Apr 18 2023

read mädchen auf whatsapp by bärbel körzdörfer available from rakuten kobo wenn ihr wissen wollt wie mädchen heute ticken dann lest dieses buch matthias schweighöfer

mädchen auf whatsapp von bärbel körzdörfer bei - Jul 21 2023

1 wähle ein gutes profilbild die wahl eines guten profilbilds ist der erste schritt um ein mädchen auf whatsapp zu

beeindrucken verwende dein bestes selfie oder ein foto von dir

madchen auf whatsapp 2 immer online pdf wp publish - May 07 2022

jun 26 2023 the declaration as without difficulty as perception of this madchen auf whatsapp pdf can be taken as capably as picked to act jugend und soziale medien nathalie von

snapchat mit einem mädchen wikihow - Nov 01 2021

madchen auf whatsapp ein chat roman pdf gestudy byu edu - Jun 08 2022

apr 26 2023 madchen auf whatsapp ein chat roman pdf this is likewise one of the factors by obtaining the soft documents of this madchen auf whatsapp ein chat roman pdf by

frauen bei whatsapp anschreiben so antwortet dein schwarm - Aug 10 2022

enter the realm of madchen auf whatsapp 2 immer online a mesmerizing literary masterpiece penned with a distinguished author guiding readers on a profound journey to

madchen auf whatsapp pdf pdf gestudy byu edu - Jul 09 2022

detail book title madchen auf whatsapp 2 immer online format pdf kindle epub language english asin 3846600717 paperback 178 pages product dimensions

mädchen auf whatsapp ein chat roman amazon de - Sep 23 2023

zwei die einfach zusammengehören Über whatsapp teilen die freundinnen fast alles miteinander ihre kleinen und großen geheimnisse ihre Ängste ihre sorgen ihr glück aber dann verliebt sich marie lin in einen typen der für sie eigentlich unerreichbar ist

mädchen auf whatsapp ebook by bärbel körzdörfer kobo com - Jan 15 2023

hello sign in account lists returns orders cart

madchen auf whatsapp german körzdörfer bärbel - Dec 14 2022

hello sign in account lists returns orders cart

wie schreibt man am besten ein mädchen auf whatsapp an ist - Nov 13 2022

jun 28 2023 mädchen über whatsapp anschreiben heißt eben den chat mit sinn verstand und vor allem mit humor anzugehen mädchen mögen es wenn du sie zum lachen bringst

madchen auf whatsapp 2 immer online nice slideshare - Apr 06 2022

gat gat v4

mädchen auf whatsapp buch bastei lübbe - Aug 22 2023

mädchen auf whatsapp series by bärbel körzdörfer 2 primary works 2 total works book 1 mädchen auf whatsapp ein chat

roman by bärbel körzdörfer 2 98 160 ratings 13

gat - Jan 03 2022

madchen auf whatsapp pdf - Feb 04 2022

snapchat mit einem mädchen es kann genauso nervenaufreibend sein einem mädchen einen snap zu senden wie es ist persönlich mit ihr zu reden der erste schritt dabei eine

mädchen auf whatsapp schreiben 7 goldene regeln - Jun 20 2023

jun 6 2018 mädchen auf whatsapp bärbel körzdörfer bastei lÜbbe jun 6 2018 juvenile fiction 244 pages wenn ihr wissen wollt wie mädchen heute ticken dann lest

madchen auf whatsapp 2 immer online full pdf - Dec 02 2021

mädchen auf whatsapp bärbel körzdörfer google books - Mar 17 2023

select the department you want to search in