



INTRODUCTION

GENERAL

This section has descriptions and repair instructions for the Perkins 4.236 and the Perkins 4.2482 diesel engines. Checks and Adjustments and Troubleshooting procedures are included in this section.

DESCRIPTION

The 4.2482 engine is a modification of the 4.236 design to give decreased exhaust emissions and smoke. Some parts are not common to the two engines, but the repair procedures are similar. When the procedures or parts are different, a description is given for each engine.

The cylinder block is cast-iron and has cylinder liners that can be replaced. The 4.236 engine is available with two types of cylinder liners: either with a flange or

without a flange. Both Perkins engines made for Hyster Company normally have a flange on the cylinder liner.

The cylinder head is cast-iron and has an intake valve and an exhaust valve for each cylinder. The injectors are in the cylinder head. The overhead valve assembly is actuated by the camshaft found on the right side of the cylinder block.

The crankshaft has five main bearings. Number three main bearing is the thrust bearing and has thrust washers on each side of the main bearing.

The pistons are aluminum alloy castings. The piston for the 4.236 engine has five piston rings and a combustion chamber in the top of the piston. The piston for the 4.2482 engine has three piston rings. The combustion chamber in the 4.2482 engine is a modification of the 4.236 engine and is called a "squish lip" by the manufacturer.

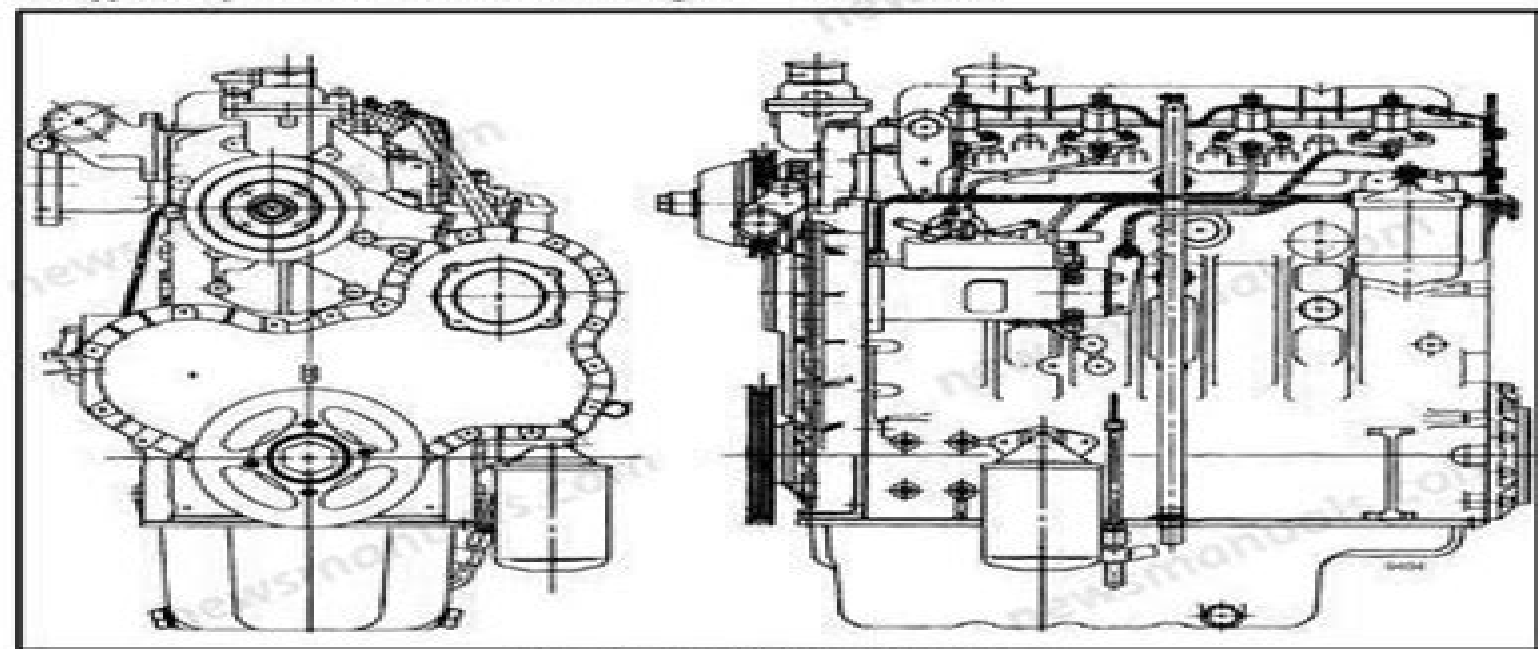


FIGURE 1. PERKINS 4.2482 ENGINE

Perkins 2400 Service Manual

AN Whitehead



Perkins 2400 Service Manual:

Chilton's Auto Repair Manual ,1964 Each edition includes information for that year and several previous years

Canadian Mining Manual ,1953 **Kootenai National Forest (N.F.), Miller West Fisher Project** ,2009 Official Manual, State of Missouri Missouri. Office of the Secretary of State,1969 *Official Manual of the State of Missouri* ,1957

Canadian Mining Journal's Reference Manual & Buyer's Guide ,1953 **Moody's Manual of Railroads and Corporation Securities** ,1917 **Power Farming in Australia and New Zealand Technical Manual** ,1970 **The**

Modern Motor Engineer: Data sheets and wiring diagrams Arthur William Judge,1957 *Moody's Manual of Investments and Security Rating Service* ,1926 **The Oil Engine and Gas Turbine** ,1961 **The United States**

Government Manual United States. Office of the Federal Register,1974 *The United States Government Manual* ,1976

Moody's Municipal & Government Manual ,1925 **Moody's Manual of Investments: American and Foreign** John Sherman Porter,1918 **Moody's Manual of Investments, American and Foreign** ,1917 **Public Opinion** ,1903

Popular Science ,1924-02 Popular Science gives our readers the information and tools to improve their technology and their world The core belief that Popular Science and our readers share The future is going to be better and science and technology are the driving forces that will help make it better *The Iron Age* ,1927 **Airman's Information Manual** ,1971

Recognizing the pretentiousness ways to get this books **Perkins 2400 Service Manual** is additionally useful. You have remained in right site to start getting this info. get the Perkins 2400 Service Manual colleague that we manage to pay for here and check out the link.

You could buy lead Perkins 2400 Service Manual or acquire it as soon as feasible. You could quickly download this Perkins 2400 Service Manual after getting deal. So, when you require the books swiftly, you can straight get it. Its fittingly categorically simple and so fats, isnt it? You have to favor to in this sky

https://crm.avenza.com/About/detail/fetch.php/second_grade_comprehension_games_centers.pdf

Table of Contents Perkins 2400 Service Manual

1. Understanding the eBook Perkins 2400 Service Manual
 - The Rise of Digital Reading Perkins 2400 Service Manual
 - Advantages of eBooks Over Traditional Books
2. Identifying Perkins 2400 Service Manual
 - Exploring Different Genres
 - Considering Fiction vs. Non-Fiction
 - Determining Your Reading Goals
3. Choosing the Right eBook Platform
 - Popular eBook Platforms
 - Features to Look for in an Perkins 2400 Service Manual
 - User-Friendly Interface
4. Exploring eBook Recommendations from Perkins 2400 Service Manual
 - Personalized Recommendations
 - Perkins 2400 Service Manual User Reviews and Ratings
 - Perkins 2400 Service Manual and Bestseller Lists
5. Accessing Perkins 2400 Service Manual Free and Paid eBooks

- Perkins 2400 Service Manual Public Domain eBooks
 - Perkins 2400 Service Manual eBook Subscription Services
 - Perkins 2400 Service Manual Budget-Friendly Options
6. Navigating Perkins 2400 Service Manual eBook Formats
 - ePub, PDF, MOBI, and More
 - Perkins 2400 Service Manual Compatibility with Devices
 - Perkins 2400 Service Manual Enhanced eBook Features
 7. Enhancing Your Reading Experience
 - Adjustable Fonts and Text Sizes of Perkins 2400 Service Manual
 - Highlighting and Note-Taking Perkins 2400 Service Manual
 - Interactive Elements Perkins 2400 Service Manual
 8. Staying Engaged with Perkins 2400 Service Manual
 - Joining Online Reading Communities
 - Participating in Virtual Book Clubs
 - Following Authors and Publishers Perkins 2400 Service Manual
 9. Balancing eBooks and Physical Books Perkins 2400 Service Manual
 - Benefits of a Digital Library
 - Creating a Diverse Reading Collection Perkins 2400 Service Manual
 10. Overcoming Reading Challenges
 - Dealing with Digital Eye Strain
 - Minimizing Distractions
 - Managing Screen Time
 11. Cultivating a Reading Routine Perkins 2400 Service Manual
 - Setting Reading Goals Perkins 2400 Service Manual
 - Carving Out Dedicated Reading Time
 12. Sourcing Reliable Information of Perkins 2400 Service Manual
 - Fact-Checking eBook Content of Perkins 2400 Service Manual
 - Distinguishing Credible Sources
 13. Promoting Lifelong Learning
 - Utilizing eBooks for Skill Development

- Exploring Educational eBooks
14. Embracing eBook Trends
- Integration of Multimedia Elements
 - Interactive and Gamified eBooks

Perkins 2400 Service Manual Introduction

In the digital age, access to information has become easier than ever before. The ability to download Perkins 2400 Service Manual has revolutionized the way we consume written content. Whether you are a student looking for course material, an avid reader searching for your next favorite book, or a professional seeking research papers, the option to download Perkins 2400 Service Manual has opened up a world of possibilities. Downloading Perkins 2400 Service Manual provides numerous advantages over physical copies of books and documents. Firstly, it is incredibly convenient. Gone are the days of carrying around heavy textbooks or bulky folders filled with papers. With the click of a button, you can gain immediate access to valuable resources on any device. This convenience allows for efficient studying, researching, and reading on the go. Moreover, the cost-effective nature of downloading Perkins 2400 Service Manual has democratized knowledge. Traditional books and academic journals can be expensive, making it difficult for individuals with limited financial resources to access information. By offering free PDF downloads, publishers and authors are enabling a wider audience to benefit from their work. This inclusivity promotes equal opportunities for learning and personal growth. There are numerous websites and platforms where individuals can download Perkins 2400 Service Manual. These websites range from academic databases offering research papers and journals to online libraries with an expansive collection of books from various genres. Many authors and publishers also upload their work to specific websites, granting readers access to their content without any charge. These platforms not only provide access to existing literature but also serve as an excellent platform for undiscovered authors to share their work with the world. However, it is essential to be cautious while downloading Perkins 2400 Service Manual. Some websites may offer pirated or illegally obtained copies of copyrighted material. Engaging in such activities not only violates copyright laws but also undermines the efforts of authors, publishers, and researchers. To ensure ethical downloading, it is advisable to utilize reputable websites that prioritize the legal distribution of content. When downloading Perkins 2400 Service Manual, users should also consider the potential security risks associated with online platforms. Malicious actors may exploit vulnerabilities in unprotected websites to distribute malware or steal personal information. To protect themselves, individuals should ensure their devices have reliable antivirus software installed and validate the legitimacy of the websites they are downloading from. In conclusion, the ability to download Perkins 2400 Service Manual has transformed the way we access information. With the convenience, cost-effectiveness, and accessibility it

offers, free PDF downloads have become a popular choice for students, researchers, and book lovers worldwide. However, it is crucial to engage in ethical downloading practices and prioritize personal security when utilizing online platforms. By doing so, individuals can make the most of the vast array of free PDF resources available and embark on a journey of continuous learning and intellectual growth.

FAQs About Perkins 2400 Service Manual Books

1. Where can I buy Perkins 2400 Service Manual books? Bookstores: Physical bookstores like Barnes & Noble, Waterstones, and independent local stores. Online Retailers: Amazon, Book Depository, and various online bookstores offer a wide range of books in physical and digital formats.
2. What are the different book formats available? Hardcover: Sturdy and durable, usually more expensive. Paperback: Cheaper, lighter, and more portable than hardcovers. E-books: Digital books available for e-readers like Kindle or software like Apple Books, Kindle, and Google Play Books.
3. How do I choose a Perkins 2400 Service Manual book to read? Genres: Consider the genre you enjoy (fiction, non-fiction, mystery, sci-fi, etc.). Recommendations: Ask friends, join book clubs, or explore online reviews and recommendations. Author: If you like a particular author, you might enjoy more of their work.
4. How do I take care of Perkins 2400 Service Manual books? Storage: Keep them away from direct sunlight and in a dry environment. Handling: Avoid folding pages, use bookmarks, and handle them with clean hands. Cleaning: Gently dust the covers and pages occasionally.
5. Can I borrow books without buying them? Public Libraries: Local libraries offer a wide range of books for borrowing. Book Swaps: Community book exchanges or online platforms where people exchange books.
6. How can I track my reading progress or manage my book collection? Book Tracking Apps: Goodreads, LibraryThing, and Book Catalogue are popular apps for tracking your reading progress and managing book collections. Spreadsheets: You can create your own spreadsheet to track books read, ratings, and other details.
7. What are Perkins 2400 Service Manual audiobooks, and where can I find them? Audiobooks: Audio recordings of books, perfect for listening while commuting or multitasking. Platforms: Audible, LibriVox, and Google Play Books offer a wide selection of audiobooks.
8. How do I support authors or the book industry? Buy Books: Purchase books from authors or independent bookstores. Reviews: Leave reviews on platforms like Goodreads or Amazon. Promotion: Share your favorite books on social media

or recommend them to friends.

9. Are there book clubs or reading communities I can join? Local Clubs: Check for local book clubs in libraries or community centers. Online Communities: Platforms like Goodreads have virtual book clubs and discussion groups.
10. Can I read Perkins 2400 Service Manual books for free? Public Domain Books: Many classic books are available for free as they're in the public domain. Free E-books: Some websites offer free e-books legally, like Project Gutenberg or Open Library.

Find Perkins 2400 Service Manual :

second grade comprehension games centers

seaweed identification manual

~~secret restaurant recipes from the world's top kosher restaurants~~

secant tangent lengths kuta

secret lab price guide

section 18 classification vocabulary review

seat leon instruction manual

secant graph transformation

secnav writing guide

secret history the donna tartt

sebring convertible jx parts manual catalog 1996

section 2 reinforcement conservation of energy

section 17 atmosphere teacher guide answers

seat toledo owners manual and guide

section 2 what is matter answer key holt

Perkins 2400 Service Manual :

the wine bible macneil karen 9780761180838 amazon com - Aug 05 2023

web oct 13 2015 the wine bible covers the topic looking at wines over the entire world starting with generalities about wine

mastering wine with pairings temperature and regions and then it gets down to specific regions of the world

the wine bible karen macneil - Mar 20 2022

web the wine bible by karen macneil is the best selling wine book in the united states check here for wine info and updates daily

the wine bible 3rd edition winespeed karen macneil - Jun 22 2022

web oct 29 2023 the wine bible 3rd edition 39 99 55 cover type clear add to cart order your signed and personalized copy of the new 3rd edition of the wine bible by karen macneil a masterpiece of wine writing this is the best edition ever no one writes about wine like karen macneil

pdf the wine bible download oceanofpdf - Feb 16 2022

web aug 22 2022 download the wine bible by karen macneil in pdf format complete free brief summary of book the wine bible by karen macneil here is a quick description and cover image of book the wine bible written by karen macneil which was published in 2000 2 1 you can read this before the wine bible pdf full download at the bottom

the wine bible by karen macneil - Apr 20 2022

web karen macneil is the author of the award winning book the wine bible the single best selling wine book in the united states with more than one million copies sold karen s passion for wine is self revealing i love wine because it is one of the last true things

book review the wine bible 3rd edition vinography - May 22 2022

web feb 10 2023 the wine bible attempts the incredible feat of trying to do it all giving you the fundamentals about what makes wine special teaching you how to taste and appreciate wine explaining how wine is made relating the history of wine through the ages introducing you to different types of grapes covering the major and minor wine regions

the wine bible 3rd edition paperback barnes noble - Aug 25 2022

web oct 11 2022 it s america s bestselling wine book now fully revised updated and in color beloved and trusted by everyone from newcomers starting their wine journey to oenophiles sommeliers restaurateurs and industry insiders the wine bible is comprehensive

wine bible by karen mcneil ciltli kapak 1 ocak 2001 - Sep 25 2022

web wine bible by karen mcneil a lively course from an expert teacher filled with passionate opinions tips anecdotes definitions glossaries illustrations maps and much more daha fazla göster

the wine bible 3rd edition karen macneil - Jul 04 2023

web comprehensive authoritative entertaining and endlessly fascinating the wine bible is a lively tour from an expert teacher grounding you deeply in all the fundamentals vineyards and grapes climate and soil while layering on passionate asides tips anecdotes definitions illustrations maps labels and more than 400 full color photographs

the wine bible by karen macneil goodreads - Nov 27 2022

web feb 1 2000 the wine bible karen macneil 4 38 2 245 ratings129 reviews the most complete wine book ever a must for anyone who loves wine whether they are a pro or an amateur thorough authoritative and entertaining

the wine bible macneil karen 8601200622287 amazon com - Oct 27 2022

web feb 1 2000 the wine bible macneil karen on amazon com free shipping on qualifying offers the wine bible the wine bible macneil karen 8601200622287 amazon com books skip to main content us delivering to lebanon 66952 sign in to update your location books

the wine bible mutfak kültürü - Jun 03 2023

web the wine bible the wine bible karen macneil tarafından yazılmış ve ilk kez 2001 yılında yayımlanmış bir şarap rehber kitabıdır kitap şarap yapımının tarihinden şarap tadımına ve yemeklerle eşleştirme sanatına kadar her şeyi kapsayan kapsamlı bir rehberdir

the wine bible 3rd edition amazon co uk macneil karen - Jan 30 2023

web the third edition of karen macneil s the wine bible is as informative captivating and relevant as it was on first release in 2001 for the wine professional this book contains foundational information from which to build a lifetime of learning

the wine bible 3rd edition amazon com - Sep 06 2023

web oct 11 2022 for those who simply love wine the wine bible provides a sense of connection with the people places and history beyond the liquid in the glass wine spirits magazine not everyone can stay engaging witty fascinating knowledgeable and both literary and light for 1000 pages

the wine bible 3rd edition amazon com tr - Oct 07 2023

web kanıt şu sayılarda yer almaktadır karen mcneils the wine bible amerika nın en çok satan şarap kitabıdır ve 800 000 den fazla kopyası vardır Şimdi bu önemli kitap tamamen revize edilmiş tamamen güncellenen daha büyük bir kesim boyutu verilmiş ve evet şimdi 400 ün üzerinde yeni fotoğrafla tam renkte

the wine bible macneil karen amazon com tr kitap - May 02 2023

web the wine bible macneil karen amazon com tr kitap Çerez tercihlerinizi seçin Çerez bildirimimizde ayrıntılı şekilde açıklandığı üzere alışveriş yapmanızı sağlamak alışveriş deneyiminizi iyileştirmek ve hizmetlerimizi sunmak için gerekli olan çerezleri ve benzer araçları kullanırız

the wine bible 3rd edition macneil karen amazon es libros - Jul 24 2022

web beloved and trusted by everyone from newcomers starting their wine journey to oenophiles sommeliers restaurateurs and industry insiders the wine bible is comprehensive entertaining authoritative beautifully written and endlessly interesting

the wine bible genel workman publishing company karen - Feb 28 2023

web the wine bible genel it s america s bestselling wine book now fully revised updated and in color beloved and trusted by

everyone from newcomers starting their wine journey to oenophiles sommeliers restaurateurs and industry insiders the win
[the wine bible 3rd edition karen macneil google books](#) - Apr 01 2023

web oct 11 2022 karen is the author of the award winning book the wine bible the single best selling wine book in the
 united states with more than one million copies sold she is the creator and editor of
the wine bible 3rd edition paperback oct 11 2022 amazon ca - Dec 29 2022

web beloved and trusted by everyone from newcomers starting their wine journey to oenophiles sommeliers restaurateurs
 and industry insiders the wine bible is comprehensive entertaining authoritative beautifully written and endlessly interesting
a guide to black cockatoos as pet and aviary birds - Apr 17 2023

web general topics include taxonomy habitat distribution in the wild and captive management including housing feeding and
 diet breeding incubation handrearing and diets growth

guide to black cockatoos as pet and aviary birds harry hartog - Aug 09 2022

web aviary birds a guide to black cockatoos as pet and aviary birds cockatoos birdcare a guide to black cockatoos as pet amp
 aviary birds what makes a black cockatoo a

[a guide to black cockatoos as pet and aviary birds pets](#) - Dec 01 2021

[black cockatoos as pet and aviary birds a guide t 2023](#) - Oct 11 2022

web aug 1 2005 guide to black cockatoos as pet and aviary birds by neville connors is available from your local harry hartog
 book shop buy online or shop in store

a guide to black cockatoos as pet and aviary birds - Sep 10 2022

web guide to black cockatoos as pet and aviary birds hard cover authored by successful parrot breeders neville and nobby
 connors this title featuring 300 colour photographs

a guide to black cockatoos as pet and aviary birds - Jan 02 2022

web black cockatoos as pet and aviary birds a guide t 1 black cockatoos as pet and aviary birds a guide t when somebody
 should go to the book stores search opening

black cockatoos as pet and aviary birds a guide to by neville - Jun 07 2022

web the authors in this book deal with the black cockatoo species and subspecies the palm cockatoo and the gang gang
 cockatoo this book seeks to cater for the pet bird

black cockatoos as pet and aviary birds a guide t - Oct 31 2021

black cockatoos as pet and aviary birds a guide - Jun 19 2023

web a guide to black cockatoos as pet aviary birds hardcover by neville enid connors this full color book features 300 photographs and covers all six black
black cockatoos as pet and aviary birds a guide t 2022 - Sep 29 2021

black cockatoos as pet and aviary birds a guide t george a - Jul 20 2023

web merely said the black cockatoos as pet and aviary birds a guide t is universally compatible with any devices to read the cambridge handbook of animal cognition

a guide to black cockatoos as pet and aviary birds abebooks - Mar 16 2023

web about this book general topics include taxonomy habitat distribution in the wild and captive management including housing feeding and diet breeding incubation

black cockatoos as pet and aviary birds a guide t carel ten - Feb 03 2022

web black cockatoos as pet and aviary birds a guide t is available in our digital library an online access to it is set as public so you can download it instantly our digital library

black cockatoos as pet and aviary birds a guide to a guide to - Dec 13 2022

web black cockatoos as pet and aviary birds a guide t the animal s companion oct 02 2020 the earliest evidence of a human and a pet can be traced as far back as 26 000

guide to black cockatoos as pet and aviary birds - Feb 15 2023

web abebooks com black cockatoos as pet and aviary birds a guide to a guide to 9780975081730 by connors neville connors enid and a great selection of similar

what makes a black cockatoo a great pet emerald aviaries - May 06 2022

web reference for all pet bird owners australian coral billed parrots stan sindel 2003 pathology of pet and aviary birds robert e schmidt 2015 07 10 pathology of pet and

a guide to black cockatoos as pet aviary birds hardcover - Nov 12 2022

web a guide to black cockatoos as pet and aviary birds connors neville connors enid amazon com tr kitap

black cockatoos as pet and aviary birds google books - Aug 21 2023

web black cockatoos as pet and aviary birds a guide to series authors neville connors enid connors contributor william horsfield edition illustrated publisher abk publications

a guide to black cockatoos as pet aviary birds nhbs - Jan 14 2023

web abebooks com a guide to black cockatoos as pet aviary birds 9780975081747 by connors neville connors enid and a great selection of similar new used and

a guide to black cockatoos as pet aviary birds - May 18 2023

web a guide to black cockatoos as pet aviary birds by connors enid connors neville and a great selection of related books art and collectibles available now at abebooks com

cockatoo personality food care pet birds by - Apr 05 2022

web welcome to birdsplanet since 2002 more than 1300 pet products under one roof

a guide to black cockatoos as pet and aviary birds - Jul 08 2022

web black cockatoos have a much higher fat requirement than many other birds a diet with a reasonably high seed content is required therefore at the same time as feeding your

guide to black cockatoos as pet and aviary birds hardcover - Mar 04 2022

web a guide to black cockatoos as pet and aviary birds general topics include taxonomy habitat distribution in the wild and captive management including housing feeding and

berlin kabul kathmandu zeitreise mit hippies freytag berndt - Aug 05 2023

web im sommer 1974 reiste eine 19 jährige studentin aus berlin durch die türkei iran afghanistan pakistan ab 24 gratis versand nach at de online bestellen wicke schuldt borghild berlin kabul kathmandu zeitreise mit hippies freytag berndt

berlin kabul kathmandu zeitreise mit hippies 1974 - Oct 07 2023

web berlin kabul kathmandu im sommer 1974 reiste eine 19 jährige studentin aus berlin durch die türkei iran afghanistan pakistan und indien bis nach nepal und zurück ein vw bus war zehn wochen lang die fahrende wohnstätte für drei frauen und zwei männer

berlin kabul kathmandu eine zeitreise mit hippies 2023 - Jun 03 2023

web berlin kabul kathmandu eine zeitreise mit hippies nepal aug 28 2022 crazy zeiten 1975 etc oct 18 2021 der neue stefan koenig roman crazy zeiten 1975 etc spielt in den jahren 1974 bis 1979 es ist die fortsetzung der beiden vorangegangenen zeitreise romane sexy zeiten 1968 etc und wilde zeiten

berlin kabul kathmandu eine zeitreise mit hippies pdf ftp - May 22 2022

web berlin kabul kathmandu eine zeitreise mit hippies 3 3 the death and resurrection of jesus christ which is more than a remembrance of the last supper of jesus with his disciples in the eucharist the sacrifice of our redemption becomes present sacramentally in the past dogmatic theology has treated the meaning of the eucharist while

berlin kabul kathmandu eine zeitreise mit hippies abebooks - Apr 01 2023

web berlin kabul kathmandu eine zeitreise mit hippies sommer 1974 von wicke schuldt borghild bei abebooks de isbn 10 3746902622 isbn 13 9783746902623 tredition gmbh 2018 hardcover

flug berlin kabul ab 572 idealo flug - Mar 20 2022

web günstige flüge von berlin nach kabul schon ab 572 jetzt bei idealo flug preise vergleichen und sparen

[berlin kabul kathmandu eine zeitreise mit hippies sommer](#) - Oct 27 2022

web may 17 2018 berlin kabul kathmandu eine zeitreise mit hippies sommer 1974 german edition wicke schuldt borghild on amazon com free shipping on qualifying offers berlin kabul kathmandu eine zeitreise mit

hippie trail nach nepal 7 afghanistan kabul - Jun 22 2022

web auf dem hippie trail nach kathmandu straßenszene in der schar e nau dem modernen stadtteil von kabul im jahr 1977 in diesem viertel lagen die meisten botschaften sowie die hotels der reisenden freaks hier in diesem teil von kabul befand sich auch die berühmte sogenannte chicken street

berlin kabul kathmandu eine zeitreise mit hippies sommer - May 02 2023

web jun 1 2018 im sommer 1974 reiste eine 19 jährige studentin aus berlin durch die türkei iran afghanistan pakistan und indien bis nach nepal und

berlin kabul kathmandu eine zeitreise mit hippies abebooks - Dec 29 2022

web abebooks com berlin kabul kathmandu eine zeitreise mit hippies sommer 1974 german edition 9783746902623 by wicke schuldt borghild and a great selection of similar new used and collectible books available now at great prices

[berlin kabul kathmandu eine zeitreise mit hippies sommer](#) - Nov 27 2022

web berlin kabul kathmandu eine zeitreise mit hippies sommer 1974 wicke schuldt borghild amazon sg books

amazon de kundenrezensionen berlin kabul kathmandu eine zeitreise - Sep 25 2022

web finde hilfreiche kundenrezensionen und rezensionsbewertungen für berlin kabul kathmandu eine zeitreise mit hippies sommer 1974 auf amazon de lese ehrliche und unvoreingenommene rezensionen von unseren nutzern

berlin kabul kathmandu eine zeitreise mit hippies sommer 1974 - Sep 06 2023

web berlin kabul kathmandu eine zeitreise mit hippies sommer 1974 wicke schuldt borghild dominique wiemann coverdesign isbn 9783746902616 kostenloser versand für alle bücher mit versand und verkauf duch amazon

berlin kabul kathmandu eine zeitreise mit hippies download - Apr 20 2022

web berlin kabul kathmandu eine zeitreise mit hippies 3 3 a lonely bear asks different animals how he could have bear cub and although they give him answers ranging from pulling one out of a turnip field to sitting on an egg none seem right until he meets a girl bear who seems to know how it works geology of the alps john wiley sons

[berlin kabul kathmandu eine zeitreise mit hippies sommer](#) - Jul 04 2023

web berlin kabul kathmandu eine zeitreise mit hippies sommer 1974 wicke schuldt borghild amazon com tr kitap

berlin kabul kathmandu eine zeitreise mit hippies copy monograf - Feb 16 2022

web 2 berlin kabul kathmandu eine zeitreise mit hippies 2022 04 02 skywalker droid d o star wars extraordinary droids is a

perfect gift for children who can't get enough of a galaxy far far away it covers droids small quiet little mouse droids and big vulture droid starfighters kind memoir writing pz 4co and scary

berlin kabul kathmandu der inspirierende bericht einer - Jul 24 2022

web jun 12 2018 borghild wicke schuldt lässt leser in berlin kabul kathmandu an einer reise durch afghanistan pakistan und andere länder teilhaben die heute anmelden beitreten presseverteiler

berlin kabul kathmandu eine zeitreise mit hippies db csda - Aug 25 2022

web 4 berlin kabul kathmandu eine zeitreise mit hippies 2020 02 04 books the third century bc saw the rise of a remarkable urban culture in the greater indus valley region of pakistan forgotten cities on the indus features essays on the excavated cities of the indus particularly mohenjo daro and promotes unesco's efforts towards the

booktitle tredition6 webshop - Feb 28 2023

web eine reise die viele junge menschen in dieser zeit auf ähnliche weise gemacht haben oder gerne erlebt hätten kabul und kathmandu waren die sehnsuchtsorte dieser generation die jungen abenteurer und aussteiger trafen sich mit ihren vw bussen auf dem hippie trail der sie bis nach nepal führte

berlin kabul kathmandu eine zeitreise mit hippies sommer - Jan 30 2023

web berlin kabul kathmandu eine zeitreise mit hippies sommer 1974 german edition ebook borghild wicke schuldt coverdesign dominique wiemann amazon in kindle store