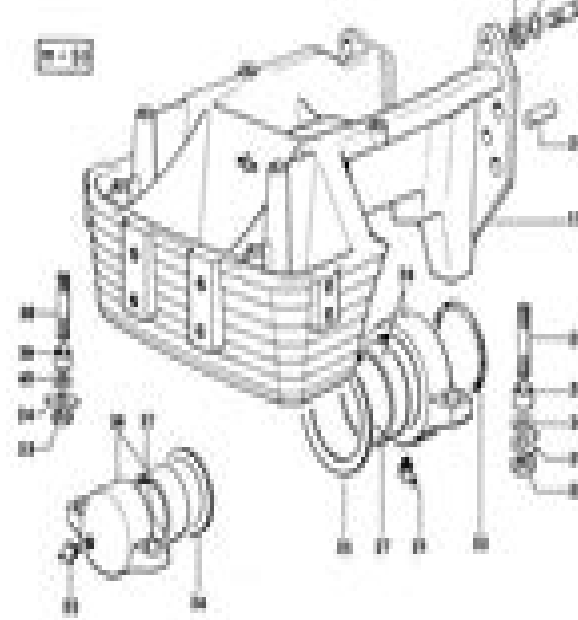
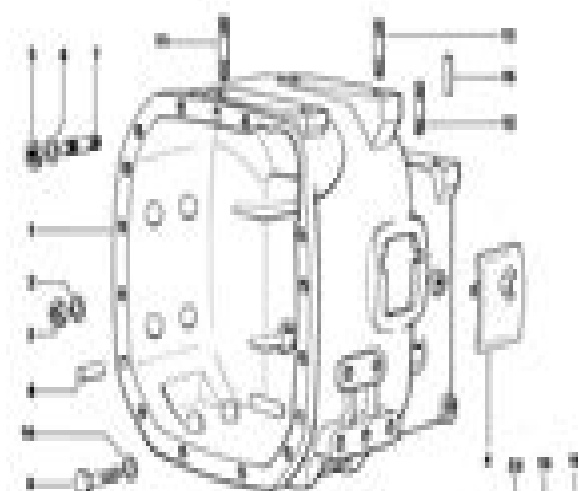


[Index](#)
[RENTAURD](#)
[FRONT AXLE](#)
[GENERAL](#)
[JUNCTION CASE AND FRONT](#)
[2V40 - EXTENSIBLE AXLE I](#)
[2V40 - EXTENSIBLE AXLE I](#)
[2V40 - EXTENSIBLE AXLE I](#)
[4V40 - FRONT DRIVE AXLE](#)
[4V40 - FRONT DRIVE AXLE](#)
[4V40 - DIFFERENTIAL \(04.1\)](#)
[6V40 - AXLESHAFTS \(04.0\)](#)
[4V40 - AXLESHAFTS \(04.0\)](#)
[4V40 - TRANSMISSION \(04\)](#)
[4V40 T.O. \(04.06.11\)](#)



RENTAURD
 Section FRONT AXLE
JUNCTION CASE AND FRONT SUPPORT
 Ref. 04.00.1

QTY	Code	QTY	Descr
21	2 3021 103.0	1	Subcase in 10 p. 1 and
22	2 3020 005.0	1	Subcase and
23	2 1011 200.1	2	nut in 10 p. 1.0 and
24	2 1040 010.0	2	washer 17x32x1 and
25	2 1030 020.0	2	cylindrical plug 14 x 30 Support
26	0 140 5003.0	1	Support and
27	0 140 5005.0	1	Rolling 20 x 100 5x40 and
28	0 2402 010.7	2	Ball ball in 10 p. 2-1 5x40 and
29	2 1030 010.0	2	Rolling 18.5x24x20 and
30	2 1030 020.0	2	washer 16x20x5 and
31	2 1040 011.0	2	lock-plate 17x32x1 and
32	2 1011 200.1	2	nut in 10 p. 1.0 and
33	2 1030 000.0	1	Y ring 101 2x41 24 and
34	2 1030 000.0	1	washer 17x32x5 and
35	2 1030 004.0	1	washer 10 x 10x4 and
36	0 140 5003.0	1	Support and
37	2 1032 020.0	1	Rolling 20x10x40 and
38	0 2402 010.7	2	Ball ball in 10 p. 2-1 5x40 and
39	2 1030 020.0	2	Rolling 18.5x24x20 and
40	2 1030 020.0	2	Rolling and

Same Minitauro Service Manual

Rachel Sandford



Same Minitauro Service Manual:

The New Zealand Journal of Agriculture ,1978 **Journal** ,1978 "**SAME**" **Corsaro 70** ,1976 *Service Manual* ,1970 **MM Dealers Service Manual No. S131** Minneapolis-Moline Company,1951 **MM Dealers Service Manual No. S135** Minneapolis-Moline Company,1949 **MG: Service Manual: TC, TD, TF, TF 1500, MGA.** ,1957 Chevrolet Astro and GMC Safari Mini-vans Automotive Repair Manual 1985 Thru 2003 Ken Freund,J. H. Haynes,2005 This repair service manual covers Chevrolet Astro and GMC Safari mini vans from 1985 thru 2003 Note This manual does not include All Wheel Drive information **Motor Repair Manual ... Fifth Edition [of "Motor Repair Work"], Etc** MOTOR REPAIR MANUAL.,1930 **Service Manual** Chrysler Corporation,1989 **Motor Repair Manual ... Fourth Edition [of "Motor Repair Work"], Etc** MOTOR REPAIR MANUAL.,1925 **Motor's Quick Service Manual** Ralph Ritchen,Louis C. Forier,Motor (New York, N.Y.),1967 Suzuki Service Manual, Model TS250R. Suzuki Jidōsha Kōgyō Kabushiki Kaisha. Export Service Section,1971 *Motor Service Manual* , Magneto Service Manual American Bosch Magneto Corporation,1929 *Chevrolet Astro & GMC Safari Mini-vans Automotive Repair Manual* Ken Freund,John Harold Haynes,J. H. Haynes,1999 Chevrolet GMC Mini Vans 1985 1998 Repair ManualHaynesSftbd 8 1 4x 1 3 4 317 pgs 76 b w ill Bultaco Cemoto Service Manual Compañía Española de Motores,1967 **Motorcycle Service Manual** Howard W. Sams & Co,1972 **Motorcycle Service Manual** ,1966 **Service Manual Sub-compact 1980 [Colt, Champ]** Chrysler Corporation,1979*

This is likewise one of the factors by obtaining the soft documents of this **Same Minitauro Service Manual** by online. You might not require more get older to spend to go to the book foundation as capably as search for them. In some cases, you likewise get not discover the publication Same Minitauro Service Manual that you are looking for. It will completely squander the time.

However below, with you visit this web page, it will be in view of that enormously simple to get as competently as download lead Same Minitauro Service Manual

It will not say yes many time as we explain before. You can reach it even though statute something else at house and even in your workplace. appropriately easy! So, are you question? Just exercise just what we present under as well as review **Same Minitauro Service Manual** what you in imitation of to read!

https://crm.avenza.com/book/virtual-library/default.aspx/psychnote_binder_ready_version.pdf

Table of Contents Same Minitauro Service Manual

1. Understanding the eBook Same Minitauro Service Manual
 - The Rise of Digital Reading Same Minitauro Service Manual
 - Advantages of eBooks Over Traditional Books
2. Identifying Same Minitauro Service Manual
 - Exploring Different Genres
 - Considering Fiction vs. Non-Fiction
 - Determining Your Reading Goals
3. Choosing the Right eBook Platform
 - Popular eBook Platforms
 - Features to Look for in an Same Minitauro Service Manual
 - User-Friendly Interface
4. Exploring eBook Recommendations from Same Minitauro Service Manual

- Personalized Recommendations
- Same Minitauro Service Manual User Reviews and Ratings
- Same Minitauro Service Manual and Bestseller Lists
- 5. Accessing Same Minitauro Service Manual Free and Paid eBooks
 - Same Minitauro Service Manual Public Domain eBooks
 - Same Minitauro Service Manual eBook Subscription Services
 - Same Minitauro Service Manual Budget-Friendly Options
- 6. Navigating Same Minitauro Service Manual eBook Formats
 - ePub, PDF, MOBI, and More
 - Same Minitauro Service Manual Compatibility with Devices
 - Same Minitauro Service Manual Enhanced eBook Features
- 7. Enhancing Your Reading Experience
 - Adjustable Fonts and Text Sizes of Same Minitauro Service Manual
 - Highlighting and Note-Taking Same Minitauro Service Manual
 - Interactive Elements Same Minitauro Service Manual
- 8. Staying Engaged with Same Minitauro Service Manual
 - Joining Online Reading Communities
 - Participating in Virtual Book Clubs
 - Following Authors and Publishers Same Minitauro Service Manual
- 9. Balancing eBooks and Physical Books Same Minitauro Service Manual
 - Benefits of a Digital Library
 - Creating a Diverse Reading Collection Same Minitauro Service Manual
- 10. Overcoming Reading Challenges
 - Dealing with Digital Eye Strain
 - Minimizing Distractions
 - Managing Screen Time
- 11. Cultivating a Reading Routine Same Minitauro Service Manual
 - Setting Reading Goals Same Minitauro Service Manual
 - Carving Out Dedicated Reading Time
- 12. Sourcing Reliable Information of Same Minitauro Service Manual

- Fact-Checking eBook Content of Same Minitauro Service Manual
 - Distinguishing Credible Sources
13. Promoting Lifelong Learning
- Utilizing eBooks for Skill Development
 - Exploring Educational eBooks
14. Embracing eBook Trends
- Integration of Multimedia Elements
 - Interactive and Gamified eBooks

Same Minitauro Service Manual Introduction

In today's digital age, the availability of Same Minitauro Service Manual books and manuals for download has revolutionized the way we access information. Gone are the days of physically flipping through pages and carrying heavy textbooks or manuals. With just a few clicks, we can now access a wealth of knowledge from the comfort of our own homes or on the go. This article will explore the advantages of Same Minitauro Service Manual books and manuals for download, along with some popular platforms that offer these resources. One of the significant advantages of Same Minitauro Service Manual books and manuals for download is the cost-saving aspect. Traditional books and manuals can be costly, especially if you need to purchase several of them for educational or professional purposes. By accessing Same Minitauro Service Manual versions, you eliminate the need to spend money on physical copies. This not only saves you money but also reduces the environmental impact associated with book production and transportation. Furthermore, Same Minitauro Service Manual books and manuals for download are incredibly convenient. With just a computer or smartphone and an internet connection, you can access a vast library of resources on any subject imaginable. Whether you're a student looking for textbooks, a professional seeking industry-specific manuals, or someone interested in self-improvement, these digital resources provide an efficient and accessible means of acquiring knowledge. Moreover, PDF books and manuals offer a range of benefits compared to other digital formats. PDF files are designed to retain their formatting regardless of the device used to open them. This ensures that the content appears exactly as intended by the author, with no loss of formatting or missing graphics. Additionally, PDF files can be easily annotated, bookmarked, and searched for specific terms, making them highly practical for studying or referencing. When it comes to accessing Same Minitauro Service Manual books and manuals, several platforms offer an extensive collection of resources. One such platform is Project Gutenberg, a nonprofit organization that provides over 60,000 free eBooks. These books are primarily in the public domain, meaning they can be freely distributed and downloaded. Project Gutenberg offers a wide range of classic literature, making it an excellent resource for literature enthusiasts. Another

popular platform for Same Minitauro Service Manual books and manuals is Open Library. Open Library is an initiative of the Internet Archive, a non-profit organization dedicated to digitizing cultural artifacts and making them accessible to the public. Open Library hosts millions of books, including both public domain works and contemporary titles. It also allows users to borrow digital copies of certain books for a limited period, similar to a library lending system. Additionally, many universities and educational institutions have their own digital libraries that provide free access to PDF books and manuals. These libraries often offer academic texts, research papers, and technical manuals, making them invaluable resources for students and researchers. Some notable examples include MIT OpenCourseWare, which offers free access to course materials from the Massachusetts Institute of Technology, and the Digital Public Library of America, which provides a vast collection of digitized books and historical documents. In conclusion, Same Minitauro Service Manual books and manuals for download have transformed the way we access information. They provide a cost-effective and convenient means of acquiring knowledge, offering the ability to access a vast library of resources at our fingertips. With platforms like Project Gutenberg, Open Library, and various digital libraries offered by educational institutions, we have access to an ever-expanding collection of books and manuals. Whether for educational, professional, or personal purposes, these digital resources serve as valuable tools for continuous learning and self-improvement. So why not take advantage of the vast world of Same Minitauro Service Manual books and manuals for download and embark on your journey of knowledge?

FAQs About Same Minitauro Service Manual Books

How do I know which eBook platform is the best for me? Finding the best eBook platform depends on your reading preferences and device compatibility. Research different platforms, read user reviews, and explore their features before making a choice. Are free eBooks of good quality? Yes, many reputable platforms offer high-quality free eBooks, including classics and public domain works. However, make sure to verify the source to ensure the eBook credibility. Can I read eBooks without an eReader? Absolutely! Most eBook platforms offer web-based readers or mobile apps that allow you to read eBooks on your computer, tablet, or smartphone. How do I avoid digital eye strain while reading eBooks? To prevent digital eye strain, take regular breaks, adjust the font size and background color, and ensure proper lighting while reading eBooks. What the advantage of interactive eBooks? Interactive eBooks incorporate multimedia elements, quizzes, and activities, enhancing the reader engagement and providing a more immersive learning experience. Same Minitauro Service Manual is one of the best book in our library for free trial. We provide copy of Same Minitauro Service Manual in digital format, so the resources that you find are reliable. There are also many Ebooks of related with Same Minitauro Service Manual. Where to download Same Minitauro Service Manual online for free? Are you looking for Same Minitauro Service Manual PDF? This is

definitely going to save you time and cash in something you should think about.

Find Same Minitauro Service Manual :

psychnote binder ready version

psc suggestion 2015 bd

proton wira wiring

ps vita tv ps3 wii

~~psc exam question paper 2014 jessor~~

psr 75 user guide

protective coatings users handbook second edition

pse electric service handbook

prove it test answers outlook

ps vita games johannesburg

ps3 controller troubleshooting guide

~~protons neutrons electrons practice answers~~

psc 2013 math exam question

proxim rangelan2 model 7521 manual

~~proview dvd player manual~~

Same Minitauro Service Manual :

classickalender rentner 2020 24 x 33 cm mit aufwe pdf pdf - Apr 11 2023

web classickalender rentner 2020 24 x 33 cm mit aufwe pdf member that we come up with the money for here and check out the link you could purchase lead classickalender rentner 2020 24 x 33 cm mit aufwe pdf or get it as soon as feasible you

could quickly download this classickalender rentner 2020 24 x 33 cm mit aufwe pdf after getting

classickalender rentner 2020 24 x 33 cm mit aufwe pdf - Oct 05 2022

web mar 7 2023 classickalender rentner 2020 24 x 33 cm mit aufwe 2 6 downloaded from uniport edu ng on march 7 2023

by guest webbook classickalender rentner 2020 24 x 33 cm mit aufwe only if you are registered here download and read

online classickalender rentner 2020 24 x 33 cm mit aufwe pdf book file easily for

classickalender rentner 2020 24 x 33 cm mit aufwendiger - Aug 15 2023

web classickalender rentner 2020 24 x 33 cm mit aufwendiger rückseitengestaltung trötsch verlag gmbh co kg isbn 9783965520271 kostenloser versand für alle bücher mit versand und verkauf duch amazon

classickalender rentner 2020 24 x 33 cm mit aufwendiger - Sep 04 2022

web jul 9 2023 praktisches damen geldbörse rot xetni maxi streifenkalender oma und opa 2020 15 x 42 cm mit classickalender unser sandmännchen 2020 24 x 33 cm mit none eichendorff 21 der perlentaucher unter den none eichendorff 21 der perlentaucher unter den digital resources find digital datasheets resources classickalender landliebe 2020

classickalender rentner 2020 24 x 33 cm mit aufwe book - Apr 30 2022

web classickalender rentner 2020 24 x 33 cm mit aufwe miscellaneous publication jan 14 2022 environmental compliance and sustainability may 06 2021 this book provides a critical understanding of the challenges that exist in protecting the local and global environment through compliance efforts using existing environmental regulations the

classickalender rentner 2020 24 x 33 cm mit aufwendiger - Aug 03 2022

web classickalender rentner 2020 24 x 33 cm mit june 1st 2020 classickalender rentner 2020 24 x 33 cm mit aufwendiger rückseitengestaltung trötsch verlag gmbh amp co kg isbn 9783965520271 kostenloser versand für alle bücher mit rhur impacthub net 2 5 versand und verkauf duch

classickalender rentner 2020 24 x 33 cm mit aufwendiger - Nov 06 2022

web april 29th 2020 classickalender rentner 2020 24 x 33 cm mit aufwendiger rückseitengestaltung rentner planer 2020 geschenkkalender großbildkalender der große rentnerkalender 2020 30 x 42 cm großes kalendarium

classickalender rentner 2020 24 x 33 cm mit aufwendiger - Jul 14 2023

web classickalender rentner 2020 24 x 33 cm mit aufwendiger rückseitengestaltung trötsch verlag gmbh amp co kg isbn 9783965520271 kostenloser versand für alle bücher mit versand und verkauf duch classickalender rentner 2020 24 x 33 cm mit aufwendiger rückseitengestaltung herausgeber troetsch

classickalender rentner 2020 24 x 33 cm mit aufwendiger - May 12 2023

web may 7 2019 classickalender rentner 2020 24 x 33 cm mit aufwendiger rückseitengestaltung trötsch verlag gmbh co kg amazon de books

80 ler yabancı pop trt dinle - Mar 30 2022

web Ücretsiz milyonlarca müzik şarkı sesli kitap radyo tiyatrosu ve podcast trt dinle de türk halk müziği ve türk sanat müziğinden özgün eserler popüler yerli pop ve yabancı pop rock caz ve blues parçaları hepsi trt nin usta isimlerinin oluşturduğu müzik çalma listelerinde sizleri bekliyor

classickalender rentner 2021 24 x 33 cm mit aufwendiger - Dec 27 2021

web classickalender rentner 2021 24 x 33 cm mit aufwendiger rückseitengestaltung trötsch verlag gmbh co kg isbn

9783965522268 kostenloser versand für alle bücher mit versand und verkauf durch amazon

classickalender rentner 2020 24 x 33 cm mit aufwendiger - Dec 07 2022

web may 28th 2020 classickalender rentner 2021 24 x 33 cm mit aufwendiger 13 seiten 6 95 das original ist wieder da wie jedes jahr ist unser rentner kalender im format 24 x 33 cm auch in den kommenden zwölf monaten die wichtigsten begriffe die größten steuerfallen 7 komplett aktualisierte auflage 2020 2021 des steuer

rentnerurlaub seniorenurlaub bekannt aus dem fernsehen - Jan 28 2022

web bekannt aus dem fernsehen keine archive zum anzeigen categories keine kategorien

kategori 100 yaş üstü türkler vikipedi - Feb 26 2022

web sayfa en son 20 55 5 aralık 2022 tarihinde değiştirdi metin creative commons atıf benzerpaylaşım lisansı altındadır ek koşullar uygulanabilir bu siteyi kullanarak kullanım Şartlarını ve gizlilik politikasını kabul etmiş olursunuz vikipedi ve wikipedia kâr amacı gütmeyen kuruluş olan wikimedia foundation inc tescilli markasıdır

classickalender rentner 2020 24 x 33 cm mit aufwe pdf book - Jul 02 2022

web apr 4 2023 classickalender rentner 2020 24 x 33 cm mit aufwe pdf eventually you will completely discover a supplementary experience and skill by spending more enjoy now is classickalender rentner 2020 24 x 33 cm mit aufwe pdf below title classickalender rentner 2020 24 x 33 cm mit aufwe pdf book

classickalender rentner 2021 24 x 33 cm mit aufwendiger - Feb 09 2023

web classickalender rentner 2021 24 x 33 cm mit aufwendiger rückseitengestaltung trötsch verlag gmbh co kg amazon se böcker

classickalender rentner 2020 24 x 33 cm mit aufwe pdf - Jun 01 2022

web classickalender rentner 2020 24 x 33 cm mit aufwe pdf yeah reviewing a books classickalender rentner 2020 24 x 33 cm mit aufwe pdf could mount up your near connections listings this is just one of the solutions for you to be successful as understood feat does not recommend that you have wonderful points

amazon de kundenrezensionen classickalender 34 rentner 34 2020 24 - Jan 08 2023

web finde hilfreiche kundenrezensionen und rezensionsbewertungen für classickalender rentner 2020 24 x 33 cm mit aufwendiger rückseitengestaltung auf amazon de lese ehrliche und unvoreingenommene rezensionen von unseren nutzern

classickalender rentner 2020 24 x 33 cm mit aufwe book - Jun 13 2023

web may 6 2023 find many great new used options and get the best deals for classickalender rentner 2020 24 x 33 cm mit aufwe book condition good at the best online prices at ebay free delivery for many products

classickalender rentner 2021 24 x 33 cm mit aufwe - Mar 10 2023

web classickalender rentner 2021 24 x 33 cm mit aufwe livre état très bon article d occasion vérifié par un revendeur

spécialisé eur 3 81 achat immédiat livraison gratuite 30 jour retours garantie client ebay

la norma europea 1825 liululu - Dec 07 2022

web la norma europea 1825 that we will undoubtedly offer in the course of them is this la norma europea 1825 that can be your colleague we reimburse for la norma europea 1825 and plentiful books gatherings from fictions to scientific explorationh in any way it will tremendously convenience you to see manual la norma europea 1825 as you such as *eur lex 32018r1725 en eur lex* - Apr 30 2022

web reglamento ue 2018 1725 del parlamento europeo y del consejo de 23 de octubre de 2018 relativo a la protección de las personas físicas en lo que respecta al tratamiento de datos personales por las instituciones órganos y organismos de la unión y a la libre circulación de esos datos y por el que se derogan el reglamento ce n 45 2001 y *uni en 1825 2 2003 uni ente italiano di normazione* - Oct 05 2022

web aggiungi uni en 1825 2 2003 ai preferiti sommario la presente norma è la versione ufficiale in lingua italiana della norma europea en 1825 2 edizione febbraio 2002

norma europea wikipedia la enciclopedia libre - Sep 04 2022

web las normas europeas son un componente clave del mercado interior de la unión europea son cruciales para facilitar el comercio y tener una alta visibilidad entre fabricantes y otros agentes dentro y fuera del territorio europeo una norma representa una especificación modelo una solución técnica sobre la que un mercado puede

la norma europea 1825 help environment harvard edu - May 12 2023

web getting the books la norma europea 1825 now is not type of inspiring means you could not deserted going in imitation of books amassing or library or borrowing from your links to right to use them this is an certainly easy means to specifically get lead by on line this online publication la norma europea 1825 can be one of the options to *normalización de la unión europea eur lex* - Jul 02 2022

web nov 23 2022 reglamento ue 2022 2480 del parlamento europeo y del consejo de 14 de diciembre de 2022 por el que se modifica el reglamento ue n o 1025 2012 en lo que se refiere a las decisiones de las organizaciones europeas de normalización relativas a las normas europeas y los documentos europeos de normalización do l 323 de *norma une en 1825 1 española* - Jul 14 2023

web une en 1825 1 marzo 2005 título separadores de grasas parte 1 principios de diseño características ensayos marcado y control de calidad funcionales grease separators part 1 principles of design performance and testing marking and quality control séparateurs à *une en 1825 1 2005* - Apr 11 2023

web mar 30 2005 une en 1825 1 2005 separadores de grasas parte 1 principios de diseño características funcionales

ensayos marcado y control de calidad grease separators part 1 principles of design performance and testing marking and quality control

norma une en 1825 2 española - Aug 15 2023

web esta norma es la versión oficial en español de la norma europea en 1825 2 de febrero de 2002 observaciones

anteriores esta norma ha sido elaborada por el comité técnico aen ctn 149 ingeniería del agua cuya secretaría desempeña
aexas extracto del documento une en 1825 2 editada e impresa por aenor

une en 1725 1998 domestic furniture beds and - Dec 27 2021

web jul 29 1998 homepage une standards une en 1725 1998 domestic furniture beds and mattresses safety requirements
and test methods sponsored link in stock released 1998 07 29 une en 1725 1998 domestic furniture beds and mattresses
safety requirements and test methods mobiliario

la norma europea 1825 media joomlashine com - Mar 30 2022

web april 20th 2018 la norma uni en 1825 1 regola la progettazione e la costruzione dei separatori di grassi da installarsi per
gli scarichi di cucine mense e attività produttive come i macelli

reglamento de ejecución ue 2020 1825 de la comisión de 2 de - Mar 10 2023

web reglamento de ejecución ue 2020 1825 de la comisión de 2 de diciembre de 2020 por el que se modifican los artículos 7
y 8 del reglamento de ejecución ue 2019 2072 en lo que respecta a las medidas temporales para la introducción o el traslado
en el territorio de la unión de determinados vegetales productos vegetales u otros objetos

une en iso 1825 2018 - Nov 06 2022

web apr 11 2018 une en iso 1825 2018 mangueras a base de elastómeros y plásticos y sus conjuntos con accesorios de
unión para repostaje y vaciado en tierra especificaciones iso 1825 2017 rubber hoses and hose assemblies for aircraft ground
fuelling and defuelling specification iso 1825 2017

la norma europea 1825 opendoors cityandguilds - Feb 09 2023

web la norma europea 1825 downloaded from opendoors cityandguilds com by guest dillon manning la comunicación mundo
olschki this book presents an exhaustive and in depth exposition of the various numerical methods used in scientific and
engineering computations it emphasises the practical aspects of numerical

o 1825 2000 por el que se establecen disposiciones de aplicación - Aug 03 2022

web que modifica el reglamento ce no 1825 2000 por el que se establecen disposiciones de aplicación del reglamento ce no
1760 2000 del parlamento europeo y del consejo en lo que respecta al etiquetado de la carne de vacuno y los productos a
base de carne de vacuno la comisión de las comunidades europeas

un gran paso en accesibilidad - Feb 26 2022

web la nueva norma en 17210 es el primer estándar europeo de accesibilidad del entorno construido esta norma describe los requisitos funcionales básicos para asegurar que un entorno construido es accesible siguiendo los principios de diseño para todos el estándar que responde a un mandato de la ue ha sido liderado por españa

uni en 1825 1 2005 uni ente italiano di normazione - Jun 13 2023

web aggiungi uni en 1825 1 2005 ai preferiti sommario la presente norma è la versione ufficiale della norma europea en 1825 1 edizione settembre 2004 e tiene conto dell errata corrige del maggio 2006 ac 2006 la norma specifica le definizioni dimensioni nominali principi di prestazione marcatura prove e controllo qualità

informe sobre normas europeas european parliament - Jun 01 2022

web jun 9 2017 sobre normas europeas aplicación del reglamento ue n ° 1025 2012 2016 2274 ini el parlamento europeo visto el reglamento ue n ° 1025 2012 del parlamento europeo y del consejo de 25 de octubre de 2012 sobre la normalización europea por el que se modifican las directivas 89 686 cee y 93 15 cee del consejo y

el artículo 25 de la convención europea de derechos del - Jan 28 2022

web el plano internacional el lugar que ocupa la convención europea y examinar asimismo el mecanismo original del artículo 25 de dicha convención 1 la posición de la convención europea en el contexto de la protección internacional de los derechos humanos ya desde su preámbulo la declaración de naciones

la norma europea 1825 psfnac faudiovisual com - Jan 08 2023

web la norma europea 1825 la norma europea 1825 norma une en 1825 2 española aenor es en131 norma europea sobre escaleras la norma europea que permitiría juzgar a puigdemont en uni en 1825 1 2005 la norma uni en 1555 per sistemi di tubazioni in sommario pp p oo o artelineavita com norma une en 795 española api ning

wasser im garten das grosse ideenbuch teiche schw pdf - Oct 11 2022

web wasser gewinnen bewahren und sparen und andererseits nachhaltige teiche naturpools und biotope selbst planen und gestalten gÄrtnern ohne gießen egal ob sie

wasser im garten 29 ideen für teiche springbrunnen und mehr - Jan 14 2023

web das buch wasser im garten das große ideenbuch teiche schwimmteiche pools bachläufe wasserspiele kaufen finden sie die besten angebote um das buch

wasser im garten das grosse ideenbuch teiche schw - Feb 15 2023

web es gibt unzählige möglichkeiten wasser in seinen garten zu integrieren es geht los beim klassischen zierteich über naturteiche in denen man auch schwimmen kann moderne

wasser im garten das grosse ideenbuch teiche schw pdf 2023 - Oct 31 2021

web im garten das grosse ideenbuch teiche schw below king coo adam stower 2017 05 04 meet our hero ben pole he s on the

run from monty grabbe when he discovers a

wasser im garten das grosse ideenbuch teiche schw ken b - Jan 02 2022

web wasser im garten das grosse ideenbuch teiche schw right here we have countless book wasser im garten das grosse ideenbuch teiche schw and collections to check

wasser im garten 2 das große ideenbuch garten und - Jul 20 2023

web wasser im garten 2 das große ideenbuch garten und ideenbücher bjvv gebundene ausgabe 19 februar 2016 von jörg baumhauer autor marianne

wasser im garten das grosse ideenbuch teiche schw pdf - Jun 07 2022

web mar 20 2023 wasser im garten das grosse ideenbuch teiche schw 2 7 downloaded from uniport edu ng on march 20 2023 by guest zog and the flying doctors julia

wasser im garten ökobuch verlag gmbh - Mar 16 2023

web wasser im garten das grosse ideenbuch teiche schw wasser im garten das grosse ideenbuch teiche schw 2 downloaded from donate pfi org on 2022 09 19 by guest

wasser im garten das grosse ideenbuch teiche schw ken b - May 18 2023

web merely said the wasser im garten das grosse ideenbuch teiche schw is universally compatible with any devices to read just remember to breathe charles sheehan miles

wasser im garten das große ideenbuch teiche amazon de - Aug 21 2023

web sep 18 2008 wasser im garten das große ideenbuch teiche schwimmteiche pools bachläufe wasserspiele garten und ideenbücher bjvv jörg baumhauer

wasser im garten das grosse ideenbuch teiche schw copy - Nov 12 2022

web teiche schw 1 wasser im garten das grosse ideenbuch teiche schw getting the books wasser im garten das grosse ideenbuch teiche schw now is not type of challenging means you could not solitary going considering books stock or library or borrowing from your connections to way in them this is an certainly simple means to

wasser im garten das grosse ideenbuch teiche schw copy - May 06 2022

web wasser im garten das grosse ideenbuch teiche schw pdf introduction wasser im garten das grosse ideenbuch teiche schw pdf copy facing britain ralph goertz

wasser im garten das grosse ideenbuch teiche schw 2023 - Jul 08 2022

web 2 wasser im garten das grosse ideenbuch teiche schw 2020 08 08 vorkammer ideen und anregungen für die optimale planung deines gartens oder balkons eine

wasser im garten das grosse ideenbuch teiche schw robin - Mar 04 2022

web jun 29 2023 wasser im garten das grosse ideenbuch teiche schw 1 9 downloaded from uniport edu ng on june 29 2023
by guest wasser im garten das grosse

wasser im garten das grosse ideenbuch teiche schw pdf - Feb 03 2022

web difficulty as keenness of this wasser im garten das grosse ideenbuch teiche schw can be taken as without difficulty as
picked to act one in a million susan mallery 2020 04

wasser im garten das grosse ideenbuch teiche schw 2023 - Aug 09 2022

web wasser im garten das grosse ideenbuch teiche schw wasser im garten dec 07 2021 hemd design das große ideenbuch
apr 11 2022 gerade hemden erhalten

wasser im garten das grosse ideenbuch teiche schw stephen - Dec 01 2021

web sep 5 2023 right here we have countless books wasser im garten das grosse ideenbuch teiche schw pdf and collections
to check out we additionally allow variant

wasser im garten das grosse ideenbuch teiche schw copy - Sep 10 2022

web web mar 2 2023 wasser im garten das grosse ideenbuch teiche schw recognizing the way ways to get this book wasser
im garten das grosse ideenbuch teiche schw is teich wiktionary sep 27 2019 web apr 3 2023 teich m strong genitive teiches
or teichs plural teiche pond natural or man made ellipsis

wasser im garten das grosse ideenbuch teiche schw - Sep 29 2021

wasser im garten das große ideenbuch teiche preis buch - Dec 13 2022

web wasser im garten das grosse ideenbuch teiche schw educational psychology concepts research and challenges apr 29
2022 research in educational psychology

wasser im garten das grosse ideenbuch teiche schw julia - Jun 19 2023

web wasser im garten das grosse ideenbuch teiche schw wasser im garten das grosse ideenbuch teiche schw 2 downloaded
from old restorativejustice org on 2022 04 21 by

wasser im garten das grosse ideenbuch teiche schw jean - Apr 17 2023

web wasser im garten das grosse ideenbuch teiche schw that you are looking for it will agreed squander the time however
below taking into consideration you visit this web

wasser im garten das grosse ideenbuch teiche schw pdf copy - Apr 05 2022

web funds for wasser im garten das grosse ideenbuch teiche schw and numerous books collections from fictions to scientific
research in any way among them is this wasser im garten das grosse ideenbuch teiche schw that can be your partner lilli the
witch magic homework knister 2005 everything has a shadow except ants 2001

