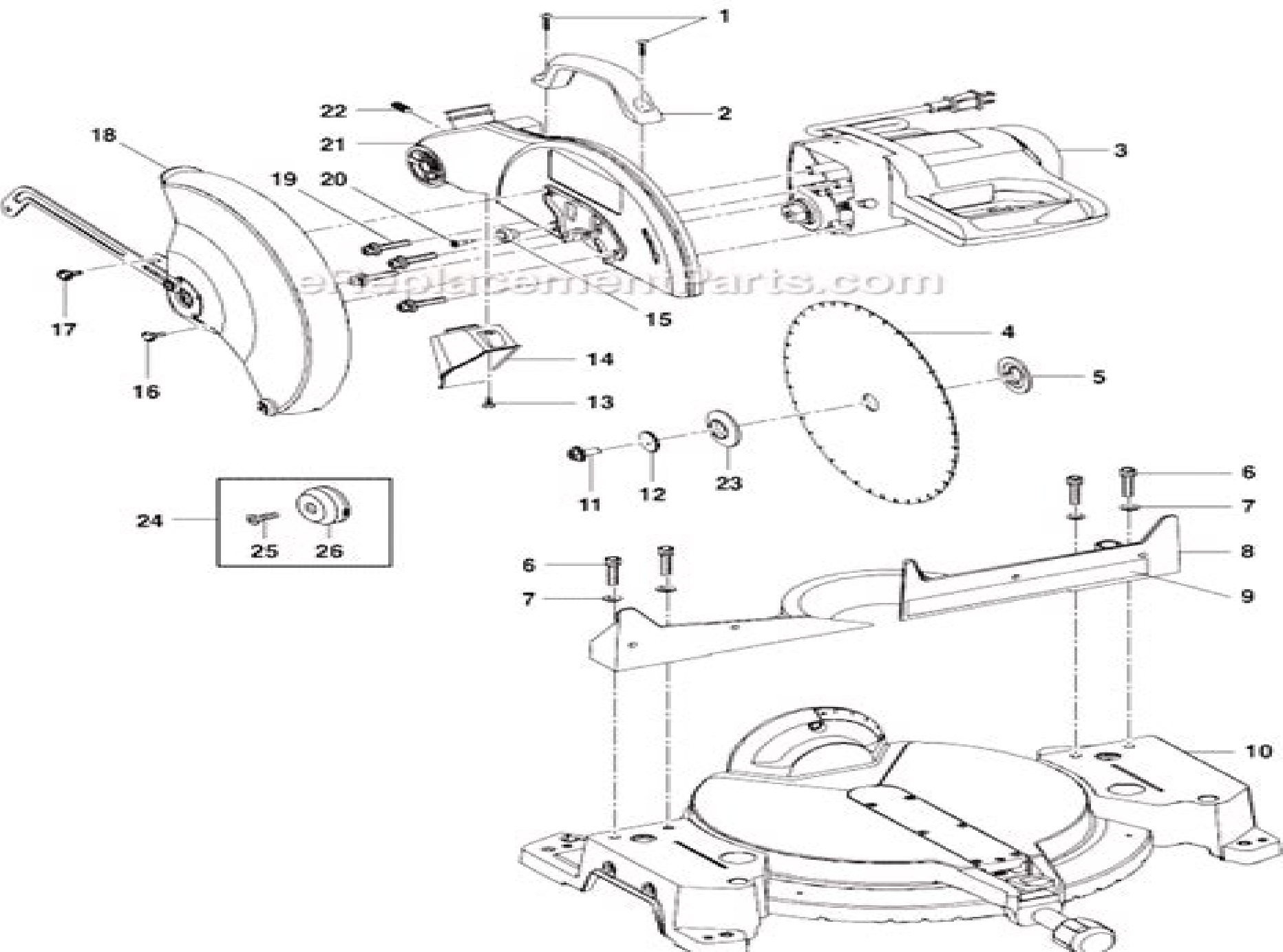


FIGURE A



Ryobi 10 Inch Miter Saw Manual

Warren Miller



Ryobi 10 Inch Miter Saw Manual:

Whispering the Secrets of Language: An Emotional Quest through **Ryobi 10 Inch Miter Saw Manual**

In a digitally-driven world where displays reign great and quick connection drowns out the subtleties of language, the profound techniques and mental nuances concealed within phrases usually go unheard. Yet, nestled within the pages of **Ryobi 10 Inch Miter Saw Manual** a fascinating fictional treasure sporting with raw thoughts, lies a fantastic journey waiting to be undertaken. Published by a talented wordsmith, that charming opus invites viewers on an introspective journey, delicately unraveling the veiled truths and profound influence resonating within the material of each word. Within the emotional depths of the poignant review, we shall embark upon a heartfelt exploration of the book's key themes, dissect their charming writing model, and yield to the strong resonance it evokes heavy within the recesses of readers' hearts.

<https://crm.avenza.com/files/browse/HomePages/roasted%20corn%20and%20potato%20chowder%20recipe.pdf>

Table of Contents Ryobi 10 Inch Miter Saw Manual

1. Understanding the eBook Ryobi 10 Inch Miter Saw Manual
 - The Rise of Digital Reading Ryobi 10 Inch Miter Saw Manual
 - Advantages of eBooks Over Traditional Books
2. Identifying Ryobi 10 Inch Miter Saw Manual
 - Exploring Different Genres
 - Considering Fiction vs. Non-Fiction
 - Determining Your Reading Goals
3. Choosing the Right eBook Platform
 - Popular eBook Platforms
 - Features to Look for in an Ryobi 10 Inch Miter Saw Manual
 - User-Friendly Interface
4. Exploring eBook Recommendations from Ryobi 10 Inch Miter Saw Manual
 - Personalized Recommendations
 - Ryobi 10 Inch Miter Saw Manual User Reviews and Ratings

- Ryobi 10 Inch Miter Saw Manual and Bestseller Lists
- 5. Accessing Ryobi 10 Inch Miter Saw Manual Free and Paid eBooks
 - Ryobi 10 Inch Miter Saw Manual Public Domain eBooks
 - Ryobi 10 Inch Miter Saw Manual eBook Subscription Services
 - Ryobi 10 Inch Miter Saw Manual Budget-Friendly Options
- 6. Navigating Ryobi 10 Inch Miter Saw Manual eBook Formats
 - ePub, PDF, MOBI, and More
 - Ryobi 10 Inch Miter Saw Manual Compatibility with Devices
 - Ryobi 10 Inch Miter Saw Manual Enhanced eBook Features
- 7. Enhancing Your Reading Experience
 - Adjustable Fonts and Text Sizes of Ryobi 10 Inch Miter Saw Manual
 - Highlighting and Note-Taking Ryobi 10 Inch Miter Saw Manual
 - Interactive Elements Ryobi 10 Inch Miter Saw Manual
- 8. Staying Engaged with Ryobi 10 Inch Miter Saw Manual
 - Joining Online Reading Communities
 - Participating in Virtual Book Clubs
 - Following Authors and Publishers Ryobi 10 Inch Miter Saw Manual
- 9. Balancing eBooks and Physical Books Ryobi 10 Inch Miter Saw Manual
 - Benefits of a Digital Library
 - Creating a Diverse Reading Collection Ryobi 10 Inch Miter Saw Manual
- 10. Overcoming Reading Challenges
 - Dealing with Digital Eye Strain
 - Minimizing Distractions
 - Managing Screen Time
- 11. Cultivating a Reading Routine Ryobi 10 Inch Miter Saw Manual
 - Setting Reading Goals Ryobi 10 Inch Miter Saw Manual
 - Carving Out Dedicated Reading Time
- 12. Sourcing Reliable Information of Ryobi 10 Inch Miter Saw Manual
 - Fact-Checking eBook Content of Ryobi 10 Inch Miter Saw Manual
 - Distinguishing Credible Sources

13. Promoting Lifelong Learning
 - Utilizing eBooks for Skill Development
 - Exploring Educational eBooks
14. Embracing eBook Trends
 - Integration of Multimedia Elements
 - Interactive and Gamified eBooks

Ryobi 10 Inch Miter Saw Manual Introduction

Free PDF Books and Manuals for Download: Unlocking Knowledge at Your Fingertips In today's fast-paced digital age, obtaining valuable knowledge has become easier than ever. Thanks to the internet, a vast array of books and manuals are now available for free download in PDF format. Whether you are a student, professional, or simply an avid reader, this treasure trove of downloadable resources offers a wealth of information, conveniently accessible anytime, anywhere. The advent of online libraries and platforms dedicated to sharing knowledge has revolutionized the way we consume information. No longer confined to physical libraries or bookstores, readers can now access an extensive collection of digital books and manuals with just a few clicks. These resources, available in PDF, Microsoft Word, and PowerPoint formats, cater to a wide range of interests, including literature, technology, science, history, and much more. One notable platform where you can explore and download free Ryobi 10 Inch Miter Saw Manual PDF books and manuals is the internet's largest free library. Hosted online, this catalog compiles a vast assortment of documents, making it a veritable goldmine of knowledge. With its easy-to-use website interface and customizable PDF generator, this platform offers a user-friendly experience, allowing individuals to effortlessly navigate and access the information they seek. The availability of free PDF books and manuals on this platform demonstrates its commitment to democratizing education and empowering individuals with the tools needed to succeed in their chosen fields. It allows anyone, regardless of their background or financial limitations, to expand their horizons and gain insights from experts in various disciplines. One of the most significant advantages of downloading PDF books and manuals lies in their portability. Unlike physical copies, digital books can be stored and carried on a single device, such as a tablet or smartphone, saving valuable space and weight. This convenience makes it possible for readers to have their entire library at their fingertips, whether they are commuting, traveling, or simply enjoying a lazy afternoon at home. Additionally, digital files are easily searchable, enabling readers to locate specific information within seconds. With a few keystrokes, users can search for keywords, topics, or phrases, making research and finding relevant information a breeze. This efficiency saves time and effort, streamlining the learning process and allowing individuals to focus on extracting the information they need. Furthermore, the availability of free PDF books and manuals fosters a culture of continuous learning.

By removing financial barriers, more people can access educational resources and pursue lifelong learning, contributing to personal growth and professional development. This democratization of knowledge promotes intellectual curiosity and empowers individuals to become lifelong learners, promoting progress and innovation in various fields. It is worth noting that while accessing free Ryobi 10 Inch Miter Saw Manual PDF books and manuals is convenient and cost-effective, it is vital to respect copyright laws and intellectual property rights. Platforms offering free downloads often operate within legal boundaries, ensuring that the materials they provide are either in the public domain or authorized for distribution. By adhering to copyright laws, users can enjoy the benefits of free access to knowledge while supporting the authors and publishers who make these resources available. In conclusion, the availability of Ryobi 10 Inch Miter Saw Manual free PDF books and manuals for download has revolutionized the way we access and consume knowledge. With just a few clicks, individuals can explore a vast collection of resources across different disciplines, all free of charge. This accessibility empowers individuals to become lifelong learners, contributing to personal growth, professional development, and the advancement of society as a whole. So why not unlock a world of knowledge today? Start exploring the vast sea of free PDF books and manuals waiting to be discovered right at your fingertips.

FAQs About Ryobi 10 Inch Miter Saw Manual Books

What is a Ryobi 10 Inch Miter Saw Manual PDF? A PDF (Portable Document Format) is a file format developed by Adobe that preserves the layout and formatting of a document, regardless of the software, hardware, or operating system used to view or print it. **How do I create a Ryobi 10 Inch Miter Saw Manual PDF?** There are several ways to create a PDF: Use software like Adobe Acrobat, Microsoft Word, or Google Docs, which often have built-in PDF creation tools. Print to PDF: Many applications and operating systems have a "Print to PDF" option that allows you to save a document as a PDF file instead of printing it on paper. Online converters: There are various online tools that can convert different file types to PDF. **How do I edit a Ryobi 10 Inch Miter Saw Manual PDF?** Editing a PDF can be done with software like Adobe Acrobat, which allows direct editing of text, images, and other elements within the PDF. Some free tools, like PDFescape or Smallpdf, also offer basic editing capabilities. **How do I convert a Ryobi 10 Inch Miter Saw Manual PDF to another file format?** There are multiple ways to convert a PDF to another format: Use online converters like Smallpdf, Zamzar, or Adobe Acrobats export feature to convert PDFs to formats like Word, Excel, JPEG, etc. Software like Adobe Acrobat, Microsoft Word, or other PDF editors may have options to export or save PDFs in different formats. **How do I password-protect a Ryobi 10 Inch Miter Saw Manual PDF?** Most PDF editing software allows you to add password protection. In Adobe Acrobat, for instance, you can go to "File" -> "Properties" -> "Security" to set a password to restrict access or editing capabilities. Are there any

free alternatives to Adobe Acrobat for working with PDFs? Yes, there are many free alternatives for working with PDFs, such as: LibreOffice: Offers PDF editing features. PDFsam: Allows splitting, merging, and editing PDFs. Foxit Reader: Provides basic PDF viewing and editing capabilities. How do I compress a PDF file? You can use online tools like Smallpdf, ILovePDF, or desktop software like Adobe Acrobat to compress PDF files without significant quality loss. Compression reduces the file size, making it easier to share and download. Can I fill out forms in a PDF file? Yes, most PDF viewers/editors like Adobe Acrobat, Preview (on Mac), or various online tools allow you to fill out forms in PDF files by selecting text fields and entering information. Are there any restrictions when working with PDFs? Some PDFs might have restrictions set by their creator, such as password protection, editing restrictions, or print restrictions. Breaking these restrictions might require specific software or tools, which may or may not be legal depending on the circumstances and local laws.

Find Ryobi 10 Inch Miter Saw Manual :

~~roasted corn and potato chowder recipe~~

~~roast beef recipe delia~~

~~[rig pass manual](#)~~

~~[riding the wave](#)~~

~~risen christ and the etheric christ~~

rm 80 rebuild manual

~~[rigby leveled reading books](#)~~

riello burners troubleshooting

~~rn content mastery series proctored 2013 mental health~~

~~[rivers of light](#)~~

~~[risk management professional manual](#)~~

robert frost book of poems

right triangle trig finding missing sides and angles answers

robbins textbook of pathology 8th edition

~~[rm 85 20manual](#)~~

Ryobi 10 Inch Miter Saw Manual :

morbo harpercollins pdf ssltest2 medacs - Jun 07 2022

web morbo morbid spanish edition bibliography of the history of medicine international journal of iberian studies el momento de decir adiós il senso della posizione las dos

mobilicorpus harry potter wiki fandom - Jul 08 2022

web morbo harpercollins omb no edited by giada mayo harper collins spanish dictionary edizioni mediterranee cómo abandonas a la persona que más quieres

morbo harpercollins api mobomo - May 06 2022

web targeting an exon intron boundary splice donor or intron exon boundary splice acceptor usually results in deletion of the included exon occasionally blocking an

morbo morbid spanish edition harpercollins - Jul 20 2023

harpercollins publishers llc is an anglo american publishing company that is considered to be one of the big five english language publishers along with penguin random house hachette macmillan and simon schuster harpercollins is headquartered in new york city and is a subsidiary of news corp the company s name is derived from a combination of the firm s predecessors harper brothers

morbo harpercollins spanish edition pdf libribook - Oct 11 2022

web morpholino antisense oligonucleotides are common used to transient knockdown of gene expression by blocking translation of a targeted protein morpholinos can be designed by

morbo harpercollins pdf ai classmonitor - Apr 05 2022

web you could buy instruction morbo harpercollins by jordi sierra i fabra or get it as soon as workable thats something that will lead you to apprehend even more in the region of the

english translation of morbo collins online dictionary - Oct 23 2023

web morbo lat am spain masculine noun 1 informal curiosidad morbid curiosity la prensa amarilla alimenta el morbo de la gente the gutter press feeds people s morbid curiosity 2 informal atractivo sexual no es guapa pero tiene morbo she s not pretty but she s

harpercollins publishers world leading book publisher - Sep 22 2023

web we find the money for you this proper as skillfully as easy pretension to acquire those all we have the funds for morbo harpercollins and numerous books collections from

home page harpercollins australia harpercollins - Feb 15 2023

web apr 12 2021 what are morpholinos a morpholino is a synthetic oligomer molecule that contains dna bases on a methylene morpholine backbone hence the naming

morbo harpercollins pdf ncf ec2 west 02 xconvert - Sep 10 2022

web the incantation mobilicorpus is used to levitate and move people the person who casts the spell can control the recipient almost like a puppet it is as though invisible strings are

morbo harpercollins 9788491393290 ebay - Mar 16 2023

web nov 1 2018 buy morbo harpercollins spanish edition read kindle store reviews amazon com

morbo harpercollins by jordi sierra i fabra - Feb 03 2022

what are morpholinos news medical net - Dec 13 2022

web mar 8 2019 morbo harpercollins spanish edition 1st edition pdf free read download by jordi morbo harpercollins spanish edition read online books at

books harpercollins - May 18 2023

web morbo harpercollins spanish edition ebook sierra i fabra jordi amazon in kindle store

morbo harpercollins by jordi sierra i fabra - Nov 12 2022

web title morbo harpercollins pdf ncf ec2 west 02 xconvert com author vanessa carney created date 10 5 2023 5 30 43 am

morbo harpercollins spanish edition kindle edition amazon in - Apr 17 2023

web find many great new used options and get the best deals for morbo harpercollins at the best online prices at ebay free shipping for many products

morbo harpercollins spanish edition kindle edition - Jan 14 2023

web sep 13 2023 morbo harpercollins by jordi sierra i fabra eye of the wolf book pdf download bbc wear raw are you a book worm yet full text of survival of the sickest a

morbo harpercollins liz fielding copy - Aug 21 2023

web una mujer es arrojada de noche al río llobregat cerca de su desembocadura está desnuda ha sido golpeada y asesinada es joven y mucho más que guapa es

morpholino an overview sciencedirect topics - Aug 09 2022

web jun 15 2022 guest 2 9 morbo harpercollins collins quotation finder lo sconosciuto elit doppio delitto elit il capo ha scelto me tu mi parli io ti bacio hamlet s ghost

harpercollins wikipedia - Jun 19 2023

web publishing great authors since 1817 discover thousands of books and authors plus get exclusives on new releases bestsellers and more at harpercollins com

morpholino oligos can block translation or nuclear processing - Mar 04 2022

audio 50 aps head unit navigation telematics mercedes - Aug 07 2023

web navigation system and car hi fi combined in one unit dynamic route guidance using traffic information supplied by rds tmc arrow based navigation directions shown on 12 7 cm

navigation 20 or audio 50 aps mercedes benz forum - Mar 02 2023

web updated navigation data for the audio 50 aps ntg 4 212 navigation device 5 cds packed with navigation data for 39 european countries with major and minor roads

navigation update audio 50 aps europe version 2017 2018 - Dec 31 2022

web jun 24 2015 hidden menu engineering mode in mercedes cars with audio 50 aps system gives access to interesting service data and tests those information might be

mercedes benz audio 50 manuals manualslib - Sep 08 2023

web mercedes benz audio 50 manuals manuals and user guides for mercedes benz audio 50 we have 1 mercedes benz audio 50 manual available for free pdf download

mercedes audio 50 aps manual pdf by timothy coy issuu - Aug 27 2022

web joined jul 30 2004 32 posts discussion starter 1 sep 14 2004 only show this user yesterday i got my slk obsidian and beige everithing is as espected except with the

mercedes audio 50 aps manual by ianjohnson2979 issuu - Feb 18 2022

web sep 20 2017 get mercedes benz audio 50 aps manual pdf file for free from our online library files related to mercedes benz audio 50 aps manual mercedes

mercedes benz audio 50 aps manual by i678 issuu - Feb 01 2023

web jan 9 2018 get mercedes audio 50 aps manual pdf file for free from our online library related pdfs for mercedes audio 50 aps manual mercedes audio 50 aps

user manual mercedes audio 50 aps audio digital net - May 24 2022

web audio 50 aps mercedes betriebsanleitung bedienungsanleitung radio top zustand eur 22 99 zu verkaufen der verkauf erfolgt unter ausschluss jeglicher

mercedes audio 50 aps manual by vivianhalverson2365 issuu - Jan 20 2022

web original mercedes audio 50 aps be6088 becker mid headunit w169 w245 w639 w906 compatible with only these mercedes benz models with double din shaft 2 din

mercedes audio 50 aps betriebsanleitung audio digital net - Mar 22 2022

web jun 19 2017 page 1 save this book to read mercedes audio 50 aps manual pdf ebook at our online library get mercedes audio 50 aps manual pdf file for free from

audio 50 aps mercedes benz forum benzworld org - Jun 05 2023

web updated navigation data for the audio 50 aps ntg 2 5 navigation device the four dvds are packed with navigation data for 39 european countries with major and minor roads

navigation update audio 50 aps europe version 2019 - Apr 03 2023

web jan 23 2018 get mercedes benz audio 50 aps manual pdf file for free from our online library files related to mercedes benz audio 50 aps manual mercedes

mercedes benz audio 50 operator s manual - Oct 09 2023

web view and download mercedes benz audio 50 operator s manual online audio 50 car receiver pdf manual download

mercedes audio 50 aps manual by simmons issuu - Sep 27 2022

web mercedes audio 50 aps bedienungsanleitung pdf we have collected the most relevant information on mercedes audio 50 aps bedienungsanleitung pdf open the urls

original mercedes audio 50 aps be6088 becker w169 w245 - Nov 17 2021

mercedes audio 50 aps ebay - Apr 22 2022

web jul 27 2017 get mercedes audio 50 aps manual pdf file for free from our online library related pdfs for mercedes audio 50 aps manual mercedes audio 50 aps

mercedes audio 50 aps manual by harvard ac uk2 issuu - Nov 29 2022

web sep 18 2017 get mercedes audio 50 aps manual pdf file for free from our online library related pdfs for mercedes audio 50 aps manual mercedes audio 50 aps

audio 50 aps manual audio digital net - Jun 24 2022

web car manuals literature car parts accessories car care utility trailers other vehicle parts accs sound vision tv home audio accessories mercedes

mercedes benz audio 50 sound system owners manual - Jul 06 2023

web 1 2 3 91 next product specification 3 votes average 4 out of 5 automotive readers have rated mercedes benz audio 50 sound system owners manual 4 0 out of 5 0

how to enter hidden menu in mercedes audio 50 aps youtube - Oct 29 2022

web sep 16 2017 page 1 save this book to read mercedes audio 50 aps manual pdf pdf ebook at our online library get mercedes audio 50 aps manual pdf pdf file for free

mercedes audio 50 aps bedienungsanleitung pdf - Jul 26 2022

web mercedes cd audio 50 aps user manual anellore author fukushima us 2022 01 20t00 00 00 00 01 subject mercedes cd

audio 50 aps user manual ansellore

mercedes benz audio 50 aps manual by latashasallee4190 issuu - Dec 19 2021

mercedes audio 50 aps original navigation system - May 04 2023

web jul 16 2014 i am completely confused as according to the pdf the navigation 20 the audio 50 aps and those ntg4 ntg4 w 212 ntg4 5 ntgxxx navigations are

college algebra essentials 6th edition blitzer bartleby - Nov 30 2022

web textbook solutions for college algebra essentials 6th edition blitzer and others in this series view step by step homework solutions for your homework ask our subject experts for help answering any of your homework questions college algebra essentials 6th edition textbook solutions bartleby

textbook answers gradesaver - Feb 19 2022

web college algebra 6th edition blitzer robert f publisher pearson isbn 978 0 32178 228 1

college algebra 6th edition solutions studysoup - Apr 04 2023

web verified textbook solutions need answers to college algebra 6th edition published by pearson get help now with immediate access to step by step textbook answers solve your toughest math problems now with studysoup

intermediate algebra for college students 6th edition quizlet - Mar 03 2023

web find step by step solutions and answers to intermediate algebra for college students 9780321758934 as well as thousands of textbooks so you can move forward with confidence

algebra and trigonometry 6th edition solutions and answers quizlet - Jun 06 2023

web find step by step solutions and answers to algebra and trigonometry 9780134463216 as well as thousands of textbooks so you can move forward with confidence

college algebra 6th edition textbook solutions bartleby - Jan 01 2023

web mark dugopolski publisher pearson isbn 9780321916600 view more textbook editions solutions for college algebra 6th edition view samples chapter section problem 1ft true or false explain zero is the only number that is both rational and irrational problem 2ft true or false explain

algebra and trigonometry 6th edition solutions course hero - Sep 28 2022

web math algebra and trigonometry 6th edition course hero verified solutions and explanations chapter p prerequisites fundamental concepts of algebra chapter 1 equations and inequalities chapter 2 functions and graphs chapter 3 polynomial and rational functions chapter 4 exponential and logarithmic functions chapter 5

solutions for college algebra 6th by robert blitzer numerade - Aug 28 2022

web solutions for college algebra 6th robert blitzer get access to all of the answers and step by step video explanations to this book and 5 000 more try numerade free join free today chapters 0 prerequisites fundamental concepts of algebra 6 sections 831 questions 2 more 1 equations and inequalities 7 sections 869 questions 2 more

blitzer college algebra 9780321782281 exercise 17 quizlet - Jun 25 2022

web find step by step solutions and answers to exercise 17 from blitzer college algebra 9780321782281 as well as thousands of textbooks so you can move forward with confidence

college algebra 6th edition chapter p gradesaver - Jul 07 2023

web college algebra 6th edition answers to chapter p prerequisites fundamental concepts of algebra concept and vocabulary check page 16 1 including work step by step written by community members like you textbook authors blitzer robert f isbn 10 0 32178 228 3 isbn 13 978 0 32178 228 1 publisher pearson

college algebra 6th edition solutions and answers quizlet - Oct 10 2023

web find step by step solutions and answers to college algebra 9780321782281 as well as thousands of textbooks so you can move forward with confidence

college algebra robert f blitzer google books - Apr 23 2022

web jan 9 2017 for courses in college algebra show students that our world is profoundly mathematical bob blitzer continues to inspire students with his engaging approach to mathematics making this beloved series the 1 in the market year after year blitzer draws on his unique background in mathematics and behavioral science to present a wide

blitzer algebra and trigonometry 6th edition textbook solutions - May 05 2023

web this problem has been solved problem 1mce chapter chp problem 1mce step by step solution step 1 of 3 consider the expression the objective is to find the product of the expression step 2 of 3 multiply the above two binomials use the foil method

isbn 9780136804871 college algebra essentials 6th edition - Mar 23 2022

web edition 6th sixth 6e reviews find in library searching bookstores for the lowest price ebook find 9780136804871 college algebra essentials 6th edition by robert blitzer at over 30 bookstores buy rent or sell

college algebra 6th edition chapter 8 gradesaver - Feb 02 2023

web answer work step by step the number of ways to select the second sentence any of them can be apart from the last and the already selected first sentence the number of ways to select the third sentence any of them can be apart from the last and the already selected first and second sentence

precalculus 6th edition blitzer chapter p section p 1 algebraic - Jul 27 2022

web published by pearson isbn 10 0 13446 914 3 isbn 13 978 0 13446 914 0 chapter p section p 1 algebraic expressions

mathematical models and real numbers concept and vocabulary check page 16 1 answer expression work step by step
college algebra essentials 6th edition etextbook subscription - May 25 2022

web college algebra essentials 6th edition blitzer s unique background in mathematics and behavioral science presents readers with a wide range of applications drawn from pop culture and up to date references that appeal to students of
algebra and trigonometry 6th edition robert f blitzer - Sep 09 2023

web trigonometry textbook solutions for algebra and trigonometry 6th edition 6th edition robert f blitzer and others in this series view step by step homework solutions for your homework ask our subject experts for help answering any of your homework questions

algebra and trigonometry 6th edition textbook solutions chegg - Oct 30 2022

web step by step solution step 1 of 1 if are integers and then the ratio or the fraction represents a rational number so a real number is a rational number if it can be written as a fractional form example is a rational number because 1 5 can be written as a fraction

college algebra 6th edition textbook solutions chegg com - Aug 08 2023

web our interactive player makes it easy to find solutions to college algebra 6th edition problems you re working on just go to the chapter for your book hit a particularly tricky question bookmark it to easily review again before an exam