

Operating your SAMSUNG French Door Refrigerator

REMOVING THE REFRIGERATOR ACCESSORIES

1. Door Bins & Dairy Compartment

To remove - Simply lift the bin up and pull straight out.

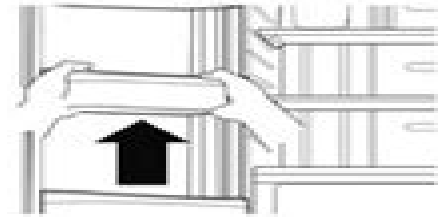
To replace - Slide it in above the desired location and push down until it stops.



Injury may occur if the door bins are not firmly assembled. Do not allow children to play with bins. Sharp corners of the bins may cause injury.



Do not adjust a bin that is loaded with food.



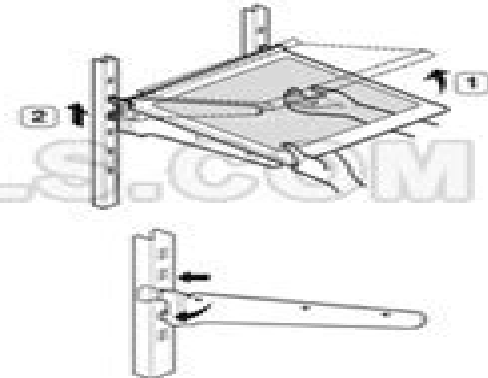
2. Tempered Spill Proof Glass Shelves

To remove - Tilt up the front of the shelf in the direction shown ((1)) and lift it up vertically ((2)). Pull the shelf out.

To replace - Tilt the front of the shelf up and guide the shelf hooks into the slots at a desired height. Then lower the front of the shelf so that the hooks drop into the slots.



Glass shelves are heavy. Use special care when removing them.



3. Vegetable & Fruit Drawers

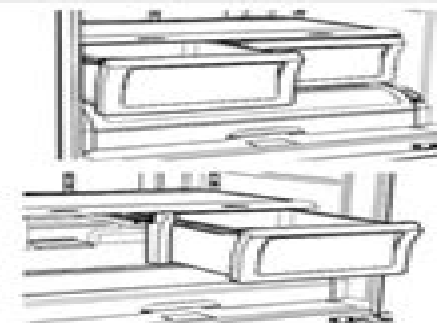
To remove - Pull the drawer out to full extension. Tilt up the front of drawer and pull straight out.

To replace - Insert the drawer into the frame rails and push back into place.



The glass shelf over the drawer is not firmly secured. Be careful when lifting.

Do not open the drawer while the pantry is open. It may cause scratch or breakage to it's cover.



Samsung Rf266ae Rf263ae Refrigerator Service Manual

Stewart-Warner Corporation



Samsung Rf266ae Rf263ae Refrigerator Service Manual:

Yeah, reviewing a book **Samsung Rf266ae Rf263ae Refrigerator Service Manual** could amass your close associates listings. This is just one of the solutions for you to be successful. As understood, deed does not recommend that you have astonishing points.

Comprehending as competently as settlement even more than supplementary will pay for each success. next to, the revelation as capably as acuteness of this Samsung Rf266ae Rf263ae Refrigerator Service Manual can be taken as without difficulty as picked to act.

https://crm.avenza.com/book/virtual-library/index.jsp/Samsung_Sch_I920_Manual.pdf

Table of Contents Samsung Rf266ae Rf263ae Refrigerator Service Manual

1. Understanding the eBook Samsung Rf266ae Rf263ae Refrigerator Service Manual
 - The Rise of Digital Reading Samsung Rf266ae Rf263ae Refrigerator Service Manual
 - Advantages of eBooks Over Traditional Books
2. Identifying Samsung Rf266ae Rf263ae Refrigerator Service Manual
 - Exploring Different Genres
 - Considering Fiction vs. Non-Fiction
 - Determining Your Reading Goals
3. Choosing the Right eBook Platform
 - Popular eBook Platforms
 - Features to Look for in an Samsung Rf266ae Rf263ae Refrigerator Service Manual
 - User-Friendly Interface
4. Exploring eBook Recommendations from Samsung Rf266ae Rf263ae Refrigerator Service Manual
 - Personalized Recommendations
 - Samsung Rf266ae Rf263ae Refrigerator Service Manual User Reviews and Ratings
 - Samsung Rf266ae Rf263ae Refrigerator Service Manual and Bestseller Lists
5. Accessing Samsung Rf266ae Rf263ae Refrigerator Service Manual Free and Paid eBooks

- Samsung Rf266ae Rf263ae Refrigerator Service Manual Public Domain eBooks
 - Samsung Rf266ae Rf263ae Refrigerator Service Manual eBook Subscription Services
 - Samsung Rf266ae Rf263ae Refrigerator Service Manual Budget-Friendly Options
6. Navigating Samsung Rf266ae Rf263ae Refrigerator Service Manual eBook Formats
 - ePub, PDF, MOBI, and More
 - Samsung Rf266ae Rf263ae Refrigerator Service Manual Compatibility with Devices
 - Samsung Rf266ae Rf263ae Refrigerator Service Manual Enhanced eBook Features
 7. Enhancing Your Reading Experience
 - Adjustable Fonts and Text Sizes of Samsung Rf266ae Rf263ae Refrigerator Service Manual
 - Highlighting and Note-Taking Samsung Rf266ae Rf263ae Refrigerator Service Manual
 - Interactive Elements Samsung Rf266ae Rf263ae Refrigerator Service Manual
 8. Staying Engaged with Samsung Rf266ae Rf263ae Refrigerator Service Manual
 - Joining Online Reading Communities
 - Participating in Virtual Book Clubs
 - Following Authors and Publishers Samsung Rf266ae Rf263ae Refrigerator Service Manual
 9. Balancing eBooks and Physical Books Samsung Rf266ae Rf263ae Refrigerator Service Manual
 - Benefits of a Digital Library
 - Creating a Diverse Reading Collection Samsung Rf266ae Rf263ae Refrigerator Service Manual
 10. Overcoming Reading Challenges
 - Dealing with Digital Eye Strain
 - Minimizing Distractions
 - Managing Screen Time
 11. Cultivating a Reading Routine Samsung Rf266ae Rf263ae Refrigerator Service Manual
 - Setting Reading Goals Samsung Rf266ae Rf263ae Refrigerator Service Manual
 - Carving Out Dedicated Reading Time
 12. Sourcing Reliable Information of Samsung Rf266ae Rf263ae Refrigerator Service Manual
 - Fact-Checking eBook Content of Samsung Rf266ae Rf263ae Refrigerator Service Manual
 - Distinguishing Credible Sources
 13. Promoting Lifelong Learning
 - Utilizing eBooks for Skill Development

- Exploring Educational eBooks
14. Embracing eBook Trends
- Integration of Multimedia Elements
 - Interactive and Gamified eBooks

Samsung Rf266ae Rf263ae Refrigerator Service Manual Introduction

In today's digital age, the availability of Samsung Rf266ae Rf263ae Refrigerator Service Manual books and manuals for download has revolutionized the way we access information. Gone are the days of physically flipping through pages and carrying heavy textbooks or manuals. With just a few clicks, we can now access a wealth of knowledge from the comfort of our own homes or on the go. This article will explore the advantages of Samsung Rf266ae Rf263ae Refrigerator Service Manual books and manuals for download, along with some popular platforms that offer these resources. One of the significant advantages of Samsung Rf266ae Rf263ae Refrigerator Service Manual books and manuals for download is the cost-saving aspect. Traditional books and manuals can be costly, especially if you need to purchase several of them for educational or professional purposes. By accessing Samsung Rf266ae Rf263ae Refrigerator Service Manual versions, you eliminate the need to spend money on physical copies. This not only saves you money but also reduces the environmental impact associated with book production and transportation. Furthermore, Samsung Rf266ae Rf263ae Refrigerator Service Manual books and manuals for download are incredibly convenient. With just a computer or smartphone and an internet connection, you can access a vast library of resources on any subject imaginable. Whether you're a student looking for textbooks, a professional seeking industry-specific manuals, or someone interested in self-improvement, these digital resources provide an efficient and accessible means of acquiring knowledge. Moreover, PDF books and manuals offer a range of benefits compared to other digital formats. PDF files are designed to retain their formatting regardless of the device used to open them. This ensures that the content appears exactly as intended by the author, with no loss of formatting or missing graphics. Additionally, PDF files can be easily annotated, bookmarked, and searched for specific terms, making them highly practical for studying or referencing. When it comes to accessing Samsung Rf266ae Rf263ae Refrigerator Service Manual books and manuals, several platforms offer an extensive collection of resources. One such platform is Project Gutenberg, a nonprofit organization that provides over 60,000 free eBooks. These books are primarily in the public domain, meaning they can be freely distributed and downloaded. Project Gutenberg offers a wide range of classic literature, making it an excellent resource for literature enthusiasts. Another popular platform for Samsung Rf266ae Rf263ae Refrigerator Service Manual books and manuals is Open Library. Open Library is an initiative of the Internet Archive, a non-profit organization dedicated to digitizing cultural artifacts and making them accessible to the public. Open Library hosts millions of books, including both

public domain works and contemporary titles. It also allows users to borrow digital copies of certain books for a limited period, similar to a library lending system. Additionally, many universities and educational institutions have their own digital libraries that provide free access to PDF books and manuals. These libraries often offer academic texts, research papers, and technical manuals, making them invaluable resources for students and researchers. Some notable examples include MIT OpenCourseWare, which offers free access to course materials from the Massachusetts Institute of Technology, and the Digital Public Library of America, which provides a vast collection of digitized books and historical documents. In conclusion, Samsung Rf266ae Rf263ae Refrigerator Service Manual books and manuals for download have transformed the way we access information. They provide a cost-effective and convenient means of acquiring knowledge, offering the ability to access a vast library of resources at our fingertips. With platforms like Project Gutenberg, Open Library, and various digital libraries offered by educational institutions, we have access to an ever-expanding collection of books and manuals. Whether for educational, professional, or personal purposes, these digital resources serve as valuable tools for continuous learning and self-improvement. So why not take advantage of the vast world of Samsung Rf266ae Rf263ae Refrigerator Service Manual books and manuals for download and embark on your journey of knowledge?

FAQs About Samsung Rf266ae Rf263ae Refrigerator Service Manual Books

How do I know which eBook platform is the best for me? Finding the best eBook platform depends on your reading preferences and device compatibility. Research different platforms, read user reviews, and explore their features before making a choice. Are free eBooks of good quality? Yes, many reputable platforms offer high-quality free eBooks, including classics and public domain works. However, make sure to verify the source to ensure the eBook credibility. Can I read eBooks without an eReader? Absolutely! Most eBook platforms offer web-based readers or mobile apps that allow you to read eBooks on your computer, tablet, or smartphone. How do I avoid digital eye strain while reading eBooks? To prevent digital eye strain, take regular breaks, adjust the font size and background color, and ensure proper lighting while reading eBooks. What the advantage of interactive eBooks? Interactive eBooks incorporate multimedia elements, quizzes, and activities, enhancing the reader engagement and providing a more immersive learning experience. Samsung Rf266ae Rf263ae Refrigerator Service Manual is one of the best book in our library for free trial. We provide copy of Samsung Rf266ae Rf263ae Refrigerator Service Manual in digital format, so the resources that you find are reliable. There are also many Ebooks of related with Samsung Rf266ae Rf263ae Refrigerator Service Manual. Where to download Samsung Rf266ae Rf263ae Refrigerator Service Manual online for free? Are you looking for Samsung Rf266ae Rf263ae Refrigerator Service Manual PDF? This is definitely going to save you time and cash in something you should think about.

Find Samsung Rf266ae Rf263ae Refrigerator Service Manual :

[samsung sch i920 manual](#)

[samsung p6800 galaxy tab 7 user guide](#)

samsung ppm50m7hs plasma service manual

samsung le40r71b tvs owners manual

samsung ml 2851nd printers owners manual

[samsung sp 42w5 tvs owners manual](#)

samsung s4 guide

[samsung ht db760t home theater systems owners manual](#)

[samsung p1453 washing machine manual](#)

samsung sf 760p multifunction printers accessory owners manual

[samsung sgh m100sa cell phones owners manual](#)

samsung rs2534ww rs2534vq service manual repair guide

samsung monte instructions manual

samsung sc mm11 camcorders owners manual

[samsung sgh a800mba cell phones owners manual](#)

Samsung Rf266ae Rf263ae Refrigerator Service Manual :

psychometric success numerical ability data interpretation - Jan 27 2022

web apr 5 2015 copyright psychometric success com page data interpretation practice test 1 authors paul newton helen bristoll data interpretation

psychometric success numerical ability data interpretation - Sep 22 2021

psychometric success numerical ability data interpretation - Nov 05 2022

web data interpretation psychometric success using psychometrics theory into practice succeed at psychometric testing methods and data analysis for cross cultural

psychometric success numerical ability data - Oct 04 2022

web may 9 2023 online numerical reasoning by job test prep free questions in menu numerical reasoning printable pdf on psychometric success in numerical reasoning

data interpretation psychometric success - Jan 07 2023

web psychometric success data interpretation practice test 1 question 2 fatmaalzhras ashraf 19 5k subscribers subscribe 3 3k views 4 years ago psychometric success

practice numerical reasoning tests psychometric success - May 31 2022

web apr 5 2015 more related content similar to psychometric success numerical ability data interpretation practice test 1 1

data interpretation psychometric success - Mar 09 2023

web improve your data interpretation skills data analysis using psychometrics psychometric tests the ultimate guide how to pass data interpretation tests

data interpretation psychometric success beta kib - Feb 25 2022

web psychometric success data interpretation practice test 1 question 1the pdf drive google com file d 1q

uxu3mebt5ob1tnvtosa7k1x11re2tv view usp shar

best practices for psychometric test interpretation - Jun 12 2023

web is data interpretation psychometric success below machine learning for big data analysis siddhartha bhattacharyya 2018

12 17 this volume comprises six well versed

datainterpretationpsychometricssuccess 2022 wikimid2 aapg - Dec 06 2022

web psychometric success numerical ability data interpretation practice test 1 free download as pdf file pdf text file txt or read online for free data interpretation

data interpretation psychometric success - Nov 24 2021

data interpretation tests psychometric success - Aug 14 2023

web may 9 2023 the ability to interpret data presented in tables graphs and charts is a common requirement in many management and professional jobs if you are applying for a job which involves analysis of or decision making based on numerical data then you can

data interpretation psychometric success ol wise edu jo - Mar 29 2022

web how to pass data interpretation tests mike bryon 2011 07 03 data interpretation tests are fast becoming the most common type of numeracy questions set in psychometric

psychometric success numerical ability data interpretation - Aug 02 2022

web 2 data interpretation psychometric success 2019 12 01 and will serve as a general resource reference text written at a level comparable to scientific american this

pdf psychometric success ali omar academia edu - Dec 26 2021

[data interpretation psychometric success ci kubesail com](#) - Jul 01 2022

web data interpretation psychometric success 1 data interpretation psychometric success getting the books data

interpretation psychometric success now is not

[data interpretation psychometric success](#) - Jul 13 2023

web data interpretation practice test 1 authors paul newton helen bristoll the ability to interpret data presented in tables graphs and charts is a common requirement in many

psychometric success data interpretation practice test 1 - Oct 24 2021

[psychometric success numerical ability data interpretation](#) - Apr 29 2022

web data interpretation problems usually require two basic steps first you have to read a chart or graph in order to obtain certain information then you have to apply or

all you need to know 2023 psychometric success - May 11 2023

web psychometric success the ability to interpret data presented in tables graphs and charts is a common requirement in many management and professional jobs if you are

[psychometric success numerical ability data interpretation](#) - Feb 08 2023

web psychometric success numerical ability data interpretation practice free download as pdf file pdf text file txt or read online for free

what are psychometric tests psychometric testing tips - Apr 10 2023

web how to pass data interpretation tests mike bryon 2011 07 03 data interpretation tests are fast becoming the most common type of numeracy questions set in psychometric

[psychometric success data interpretation practice test 1](#) - Sep 03 2022

web information about psychometric success numerical ability data interpretation practice test 1 covers topics like and psychometric success numerical ability data

l art de vivre translation in english reverso - Jun 05 2022

mais que signifie l art de vivre À la française l art de vivre à la française se définit par une constellation de savoir faire patrimoine matériel et de patrimoine immatériel

l art de vivre english translation linguee - Sep 08 2022

gurus teach about the art of living l architecture l art de vivre s y expriment avec bonheur the architecture and way of life exude happiness la sagesse est l art de vivre wisdom is the art

quelle est votre définition de l art de vivre comment - Sep 20 2023

comment bien vivre sa vie qu est ce que l art de vivre ces questions taraudent nombre d entre nous parce qu ils n arrivent pas à y apporter une réponse valable afin de vous guider sur la vie à mener nous vous livrons ici notre définition de l art de vivre zoom sur l art de vivre see more

définition de art de vivre dictionnaire français la - Nov 10 2022

qu est ce que l art de vivre sinon la manière dont l homme se relie à la vie dans ce qu elle a de plus humble comme dans ce qu elle a de plus haut l art de vivre est la fleur fragile et sans

what does l art de vivre mean in french wordhippo - Feb 13 2023

sep 20 2023 livraison en france métropolitaine uniquement achetez l art des vivres en ligne sur puf com le plus vaste choix des puf expédié sous 48h

la vie comme œuvre d art cairn info - Oct 09 2022

feb 4 2023 1 identifier son ikigai son but dans la vie dans son ouvrage l art de vivre à la japonaise erin niimi longhurst nous invite à prendre soin de notre kokoro terme qui désigne

quelle est votre définition de l art de vivre art 2 vivre - Aug 19 2023

de nos jours avec la technologie et toutes les avancées que connaît le monde dans lequel nous vivons il existe tellement de valeurs de mesure du bonheur que see more

l art de vivre dictionnaire anglais français et moteur de recherche de traductions anglaises

de très nombreux exemples de phrases traduites contenant art de vivre dictionnaire anglais français et moteur de recherche de traductions anglaises

art de vivre agora - Aug 07 2022

marianne 2021 la paresse n est pas un vice c est un art de vivre voire une posture politique l opinion 2020 il s agit de art de vivre recherche et économie culture et idées journal la

french b art de vivre identity digital - Mar 14 2023

l art de vivre cette page d homonymie répertorie les différentes œuvres portant le même titre l art de vivre est la manière de vivre d être et de penser d une personne ou d un groupe

l art de vivre wikipédia - Jan 12 2023

penser la vie comme œuvre d art ne renvoie pas simplement à la métaphore d une construction attentive et patiente de soi mais rend ainsi possible l élaboration de formes et de styles de

iphilo y a t il un art de vivre - Apr 15 2023

l art de vivre see also in french vivre verb live experience exist share shack l art art noun art craft artifice wry de preposition of to from by with see also in english living noun

le savoir vivre art de la vie intérieure aleteia - Jun 17 2023

menez une vie plus heureuse en développant un art de vivre qui vous sied l art de vivre se pose ainsi comme un changement d habitude qui vous permet de see more

la france et son art de vivre véronique nocquet - Apr 03 2022

apr 12 2011 l art de vivre □□□□ l art de vivre se résume à savoir quand s accrocher et quand lâcher prise la vie en efft est un phénomène paradoxal elle nous force à nous

la vie comme œuvre d art cairn info - Jul 18 2023

créer un environnement de vie au sein duquel on se sent en confiance et heureux de vivre est un travail de tous les jours l art de vivre est ainsi en plus d une see more

l art de vivre à la française véronique nocquet - Mar 02 2022

oct 14 2023 face à un avenir climatique incertain des simulations en ligne permettent de se projeter dans le futur lieu de vie idéal protégé des fléaux qui s annoncent fini l hérault ou le

changement climatique les survivalistes de l immobilier - Nov 29 2021

l art de vivre à la française campus france - May 16 2023

l art de vivre 6or dans la présente contribution après avoir fait remarquer les raisons de l actualité du sujet de la vie comme œuvre d art je me propose de réintroduire la question de

l art des vivres valentin husson perspectives critiques - Dec 11 2022

many translated example sentences containing l art de vivre english french dictionary and search engine for english translations comme tu le vois la vie parmi tant de gens qui

art de vivre traduction anglaise linguee - Sep 27 2021

□□□□ □□□□ □□□□ □□□□ - Oct 29 2021

art de la vie translation in english french english dictionary - Feb 01 2022

jun 4 2009 □□□□ □□□□ l art de vivre se résume à savoir quand s accrocher et quand lâcher prise la vie en efft est un phénomène paradoxal elle nous force à nous

l art de vivre à la japonaise 10 conseils celles qui osent - Jul 06 2022

jun 1 2022 la france et son art de vivre posté par véronique nocquet le 01 juin 2022 l art de vivre à la française constitue un patrimoine matériel et immatériel qui fait rêver dans le

english translation of art de vivre collins online dictionary - May 04 2022

a new meaning grew into the art of life le grand art de la vie est la sensation de sentir que nous existons même dans la douleur the great art of life is sensation to feel that we exist even in

pengaruh kepemimpinan lingkungan kerja dan motivasi kerja - Feb 06 2022

web pengaruh kepemimpinan lingkungan kerja dan motivasi kerja terhadap kinerja siti maisarah hasibuan1 syaiful bahri 1 pascasarjana universitas muhammadiyah sumatera utara jalan denai no 217 medan indonesia korespondensi bahri syaiful80 yahoo com abstrak tujuan penelitian ini adalah untuk mengetahui pengaruh kepemimpinan

kepemimpinan motivasi dan lingkungan kerja - Feb 18 2023

web penelitian oleh pramono 2011 dengan judul pengaruh kompensasi motivasi lingkungan kerja dan kepemimpinan terhadap kinerja karyawan pt adi mitra pratama semarang dalam penelitian ini memiliki tujuan untuk menganalisis pengaruh kompensasi motivasi lingkungan kerja dan kepemimpinan terhadap kinerja karyawan pt

pengaruh gaya kepemimpinan motivasi kerja dan lingkungan kerja - Sep 13 2022

web fenomena yang berkaitan dengan gaya kepemimpinan motivasi kerja dan lingkungan kerja yang telah dipaparkan di atas tentunya dapat memberikan implikasi terhadap kinerja pegawai pada dinas pekerjaan umum kota palu karena dalam penilaian peneliti sesuai

pengaruh kepemimpinan budaya organisasi lingkungan kerja - Mar 07 2022

web nawawi 2015 motivasi sebagai pendorong yang ada dalam diri seseorang untuk bertindak salah satu konsep dari teori motivasi adalah hierarchy of needs schermerhorn 2020 yang terdiri dari aktualisasi diri menumbuhkan dan menggunakan kemampuan secara maksimal

pengaruh motivasi kerja kepemimpinan dan lingkungan - Jan 05 2022

web penelitian ini diambil judul pengaruh motivasi kerja kepemimpinan dan lingkungan kerja terhadap kinerja karyawan bagian produksi studi kasus pada cv jaya abadi jepara tujuan dalam penelitian ini adalah untuk menganalisis pengaruh bagaimana pengaruh motivasi kerja kepemimpinan dan

pengaruh kepemimpinan motivasi dan lingkungan kerja - Aug 12 2022

web terhadap variabel kinerja pegawai sedangkan variabel kepemimpinan dan lingkungan kerja tidak memiliki pengaruh yang signifikan kata kunci kepemimpinan motivasi lingkungan kerja kinerja karyawan

pdf pengaruh kepemimpinan motivasi dan lingkungan kerja - Aug 24 2023

web sep 20 2021 pengaruh kepemimpinan motivasi dan lingkungan kerja terhadap kinerja karyawan jurnal syntax transformation vol 2 no 9 september 2021 1353 dan tujuan organisasi

pdf pengaruh lingkungan kerja motivasi dan kepemimpinan - Jun 10 2022

web jul 30 2023 hasil penelitian menunjukkan bahwa secara simultan lingkungan kerja motivasi dan kepemimpinan berpengaruh signifikan terhadap kinerja karyawan dimana nilai dari uji f didapatkan nilai

pengaruh kepemimpinan dan lingkungan kerja - Dec 16 2022

web berdasarkan hasil analisis jalur diketahui bahwa pengaruh variabel kepemimpinan dan variabel lingkungan kerja terhadap variabel kinerja karyawan yaitu variabel kepemimpinan mempunyai pengaruh langsung sebesar 0 332 dan variabel lingkungan kerja mempunyai pengaruh langsung sebesar 0 348 motivasi sebagai

pengaruh kepemimpinan lingkungan kerja dan motivasi kerja - Jun 22 2023

web sep 30 2018 hasil penelitian menunjukkan bahwa motivasi kepemimpinan situasional dan lingkungan kerja memiliki korelasidan hubungan positif terhadap kinerja tenaga kepegawaian di smp it al

pengaruh gaya kepemimpinan disiplin kerja motivasi kerja dan - Apr 08 2022

web bahwa gaya kepemimpinan dan motivasi kerja berpengaruh terhadap kinerja karyawan pt pln persero cabang sleman yogyakarta sedangkan disiplin kerja dan lingkungan kerja tidak berpengaruh terhadap kinerja karyawan pt pln persero cabang sleman yogyakarta kata kunci gaya kepemimpinan disiplin kerja motivasi kerja

pengaruh kepemimpinan motivasi dan lingkungan kerja - May 21 2023

web artino bhernanda t m a p and dede nurohman pengaruh kepemimpinan motivasi dan lingkungan kerja terhadap kinerja karyawan bsi kcp tulungagung scientific journal of reflection vol 5 no 2 2022 pp 301 309

pengaruh kepemimpinan motivasi dan lingkungan kerja - Jul 23 2023

web hasil yang diperoleh variabel kepemimpinan dan motivasi berpengaruh positif signifikan terhadap kinerja karyawan sedangkan variabel lingkungan kerja tidak memiliki pengaruh terhadap

pengaruh kepemimpinan motivasi kerja dan lingkungan kerja - Nov 15 2022

web luhur raden y pengaruh kepemimpinan motivasi kerja dan lingkungan kerja terhadap kinerja karyawan pada biro pengawasan dan pemeriksaan pt bank panin tbk jurnal operations excellence journal of applied industrial engineering vol 6

pengaruh motivasi lingkungan kerja dan gaya kepemimpinan - Jul 11 2022

web dari hasil penelitian diperoleh bahwa motivasi kerja lingkungan kerja gaya kepemimpinan dan kepuasan kerja berpengaruh positif dan signifikan terhadap kinerja karyawan variabel kepuasan kerja mampu memediasi pengaruh motivasi lingkungan kerja dan gaya kepemimpinan terhadap kinerja karyawan pada pt bank mandiri

pengaruh motivasi kepemimpinan dan lingkungan kerja - Oct 14 2022

web abstract some of the factors that affect the performance of the employees include motivation leadership and work environment this study aims to identify and explain the influence of motivation leadership and work environment on employee performance of operational boshe vvip club bali this type of research is explanatory research

pdf pengaruh motivasi lingkungan kerja dan kepemimpinan terhadap - Apr 20 2023

web may 25 2019 motivasi memiliki pengaruh tertinggi yang diikuti oleh lingkungan kerja dan kepemimpinan saran terbaik untuk meningkatkan kinerja karyawan adalah meningkatkan motivasi karyawan untuk

pengaruh kepemimpinan motivasi kerja dan lingkungan kerja - Mar 19 2023

web afandi 2016 51 menyatakan bahwa lingkungan kerja adalah sesuatu yang ada dilingkungan parpekerja yang dapat mempengaruhi dirinya dalam menjalankan tugas seperti temperatur kelembapan ventilasi penerangan kegaduhan kebersihan tempat kerja dan memadai tidaknya alat alat perlengkapan kerja kinerja karyawan

pengaruh motivasi dan lingkungan kerja terhadap kinerja karyawan - May 09 2022

web apr 19 2020 hasil penelitian bahwa motivasi dan lingkungan kerja memiliki pengaruh baik secara parsial ataupun simultan sedangkan dari hasil korelasi maka motivasi dan lingkungan kerja

pengaruh kepemimpinan motivasi dan lingkungan kerja - Jan 17 2023

web pengaruh kepemimpinan motivasi dan lingkungan kerja terhadap kinerja karyawan pt fanuc indonesia 2020 doi 10 22441 indikator v4i2 10004 doi 10 22441 indikator pengaruh metode 5s seiri seiton seiso seiketsu dan shitsuke terhadap keamanan pangan food safety di pt smu