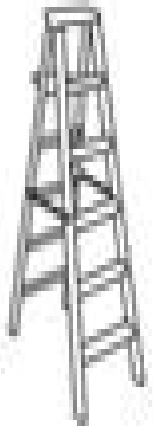


Ladder



Pencil

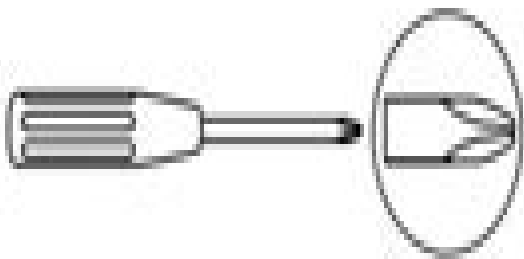


Hole saw

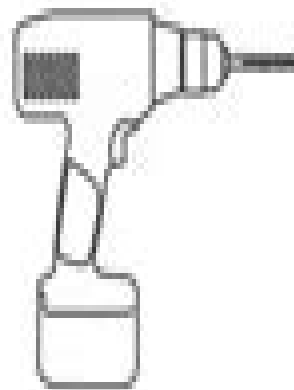


3¼ in to 3½ in
(83 mm to 89 mm)

Philips head screwdriver

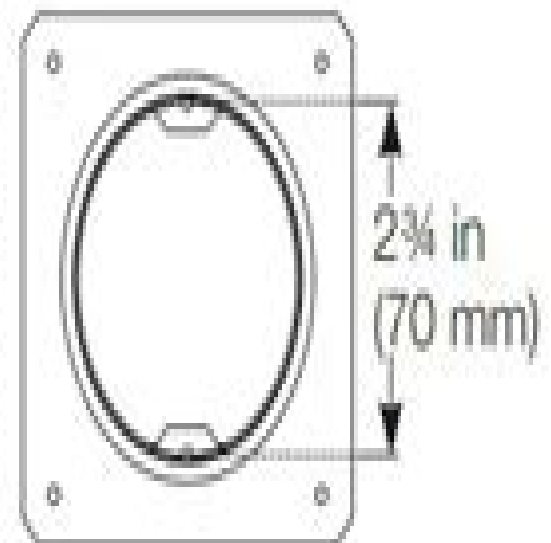


Drill



**Components
(not included)**

Mud ring



Need The Manual Rth221b1

A Gutmann



Need The Manual Rth221b1:

Eventually, you will definitely discover a further experience and execution by spending more cash. nevertheless when? pull off you recognize that you require to get those all needs taking into consideration having significantly cash? Why dont you attempt to acquire something basic in the beginning? Thats something that will guide you to understand even more as regards the globe, experience, some places, bearing in mind history, amusement, and a lot more?

It is your categorically own grow old to perform reviewing habit. in the course of guides you could enjoy now is **Need The Manual Rth221b1** below.

https://crm.avenza.com/files/publication/HomePages/oracle_hrms_implementation_and_user_manual.pdf

Table of Contents Need The Manual Rth221b1

1. Understanding the eBook Need The Manual Rth221b1
 - The Rise of Digital Reading Need The Manual Rth221b1
 - Advantages of eBooks Over Traditional Books
2. Identifying Need The Manual Rth221b1
 - Exploring Different Genres
 - Considering Fiction vs. Non-Fiction
 - Determining Your Reading Goals
3. Choosing the Right eBook Platform
 - Popular eBook Platforms
 - Features to Look for in an Need The Manual Rth221b1
 - User-Friendly Interface
4. Exploring eBook Recommendations from Need The Manual Rth221b1
 - Personalized Recommendations
 - Need The Manual Rth221b1 User Reviews and Ratings
 - Need The Manual Rth221b1 and Bestseller Lists
5. Accessing Need The Manual Rth221b1 Free and Paid eBooks

- Need The Manual Rth221b1 Public Domain eBooks
 - Need The Manual Rth221b1 eBook Subscription Services
 - Need The Manual Rth221b1 Budget-Friendly Options
6. Navigating Need The Manual Rth221b1 eBook Formats
 - ePub, PDF, MOBI, and More
 - Need The Manual Rth221b1 Compatibility with Devices
 - Need The Manual Rth221b1 Enhanced eBook Features
 7. Enhancing Your Reading Experience
 - Adjustable Fonts and Text Sizes of Need The Manual Rth221b1
 - Highlighting and Note-Taking Need The Manual Rth221b1
 - Interactive Elements Need The Manual Rth221b1
 8. Staying Engaged with Need The Manual Rth221b1
 - Joining Online Reading Communities
 - Participating in Virtual Book Clubs
 - Following Authors and Publishers Need The Manual Rth221b1
 9. Balancing eBooks and Physical Books Need The Manual Rth221b1
 - Benefits of a Digital Library
 - Creating a Diverse Reading Collection Need The Manual Rth221b1
 10. Overcoming Reading Challenges
 - Dealing with Digital Eye Strain
 - Minimizing Distractions
 - Managing Screen Time
 11. Cultivating a Reading Routine Need The Manual Rth221b1
 - Setting Reading Goals Need The Manual Rth221b1
 - Carving Out Dedicated Reading Time
 12. Sourcing Reliable Information of Need The Manual Rth221b1
 - Fact-Checking eBook Content of Need The Manual Rth221b1
 - Distinguishing Credible Sources
 13. Promoting Lifelong Learning
 - Utilizing eBooks for Skill Development

- Exploring Educational eBooks
14. Embracing eBook Trends
- Integration of Multimedia Elements
 - Interactive and Gamified eBooks

Need The Manual Rth221b1 Introduction

Free PDF Books and Manuals for Download: Unlocking Knowledge at Your Fingertips In today's fast-paced digital age, obtaining valuable knowledge has become easier than ever. Thanks to the internet, a vast array of books and manuals are now available for free download in PDF format. Whether you are a student, professional, or simply an avid reader, this treasure trove of downloadable resources offers a wealth of information, conveniently accessible anytime, anywhere. The advent of online libraries and platforms dedicated to sharing knowledge has revolutionized the way we consume information. No longer confined to physical libraries or bookstores, readers can now access an extensive collection of digital books and manuals with just a few clicks. These resources, available in PDF, Microsoft Word, and PowerPoint formats, cater to a wide range of interests, including literature, technology, science, history, and much more. One notable platform where you can explore and download free Need The Manual Rth221b1 PDF books and manuals is the internet's largest free library. Hosted online, this catalog compiles a vast assortment of documents, making it a veritable goldmine of knowledge. With its easy-to-use website interface and customizable PDF generator, this platform offers a user-friendly experience, allowing individuals to effortlessly navigate and access the information they seek. The availability of free PDF books and manuals on this platform demonstrates its commitment to democratizing education and empowering individuals with the tools needed to succeed in their chosen fields. It allows anyone, regardless of their background or financial limitations, to expand their horizons and gain insights from experts in various disciplines. One of the most significant advantages of downloading PDF books and manuals lies in their portability. Unlike physical copies, digital books can be stored and carried on a single device, such as a tablet or smartphone, saving valuable space and weight. This convenience makes it possible for readers to have their entire library at their fingertips, whether they are commuting, traveling, or simply enjoying a lazy afternoon at home. Additionally, digital files are easily searchable, enabling readers to locate specific information within seconds. With a few keystrokes, users can search for keywords, topics, or phrases, making research and finding relevant information a breeze. This efficiency saves time and effort, streamlining the learning process and allowing individuals to focus on extracting the information they need. Furthermore, the availability of free PDF books and manuals fosters a culture of continuous learning. By removing financial barriers, more people can access educational resources and pursue lifelong learning, contributing to personal growth and professional development. This democratization of knowledge promotes intellectual curiosity and empowers

individuals to become lifelong learners, promoting progress and innovation in various fields. It is worth noting that while accessing free Need The Manual Rth221b1 PDF books and manuals is convenient and cost-effective, it is vital to respect copyright laws and intellectual property rights. Platforms offering free downloads often operate within legal boundaries, ensuring that the materials they provide are either in the public domain or authorized for distribution. By adhering to copyright laws, users can enjoy the benefits of free access to knowledge while supporting the authors and publishers who make these resources available. In conclusion, the availability of Need The Manual Rth221b1 free PDF books and manuals for download has revolutionized the way we access and consume knowledge. With just a few clicks, individuals can explore a vast collection of resources across different disciplines, all free of charge. This accessibility empowers individuals to become lifelong learners, contributing to personal growth, professional development, and the advancement of society as a whole. So why not unlock a world of knowledge today? Start exploring the vast sea of free PDF books and manuals waiting to be discovered right at your fingertips.

FAQs About Need The Manual Rth221b1 Books

1. Where can I buy Need The Manual Rth221b1 books? Bookstores: Physical bookstores like Barnes & Noble, Waterstones, and independent local stores. Online Retailers: Amazon, Book Depository, and various online bookstores offer a wide range of books in physical and digital formats.
2. What are the different book formats available? Hardcover: Sturdy and durable, usually more expensive. Paperback: Cheaper, lighter, and more portable than hardcovers. E-books: Digital books available for e-readers like Kindle or software like Apple Books, Kindle, and Google Play Books.
3. How do I choose a Need The Manual Rth221b1 book to read? Genres: Consider the genre you enjoy (fiction, non-fiction, mystery, sci-fi, etc.). Recommendations: Ask friends, join book clubs, or explore online reviews and recommendations. Author: If you like a particular author, you might enjoy more of their work.
4. How do I take care of Need The Manual Rth221b1 books? Storage: Keep them away from direct sunlight and in a dry environment. Handling: Avoid folding pages, use bookmarks, and handle them with clean hands. Cleaning: Gently dust the covers and pages occasionally.
5. Can I borrow books without buying them? Public Libraries: Local libraries offer a wide range of books for borrowing. Book Swaps: Community book exchanges or online platforms where people exchange books.
6. How can I track my reading progress or manage my book collection? Book Tracking Apps: Goodreads, LibraryThing,

and Book Catalogue are popular apps for tracking your reading progress and managing book collections. Spreadsheets: You can create your own spreadsheet to track books read, ratings, and other details.

7. What are Need The Manual Rth221b1 audiobooks, and where can I find them? Audiobooks: Audio recordings of books, perfect for listening while commuting or multitasking. Platforms: Audible, LibriVox, and Google Play Books offer a wide selection of audiobooks.
8. How do I support authors or the book industry? Buy Books: Purchase books from authors or independent bookstores. Reviews: Leave reviews on platforms like Goodreads or Amazon. Promotion: Share your favorite books on social media or recommend them to friends.
9. Are there book clubs or reading communities I can join? Local Clubs: Check for local book clubs in libraries or community centers. Online Communities: Platforms like Goodreads have virtual book clubs and discussion groups.
10. Can I read Need The Manual Rth221b1 books for free? Public Domain Books: Many classic books are available for free as they're in the public domain. Free E-books: Some websites offer free e-books legally, like Project Gutenberg or Open Library.

Find Need The Manual Rth221b1 :

~~oracle hrms implementation and user manual~~

organic chemistry 2nd edition david r klein test

orcon genius user manual

oregon scientific ds3898 setup instruction

organic chemistry laboratory quiz exam

organizational behavior robbins 11th edition

order a toyota corolla repair 2015 manual

oregon television guide

ordinary level physics november 20paper 2

oregon trail journey to a new hope

organizational behavior schermerhorn 11th edition

oracle r12 documentation

ordinary girl society groom harlequin comics

ordinary sins stories

organized mass chaos task cards

Need The Manual Rth221b1 :

living theatre a history of theatre 7th edition edwin wilson - Mar 21 2022

web living theatre a history of theatre 7th edition by edwin wilson alvin goldfarb topics alvin goldfarb edwin wilson living theatre a history of theatre 7th edition isbn 978 0 393 60226 5 collection emptyfiles language english living theatre a history of theatre 7th edition isbn 978 0 393 60226 5

living theatre a history of theatre by edwin wilson goodreads - May 03 2023

web jan 1 1983 biographical sketches in each chapter bring theatre history to life through the stories of the people who lived that history developments in theatre are examined through the debates between scholars and historians emphasizing the

amazon com living theatre history of theatre 9780393640229 wilson - Feb 17 2022

web jul 31 2017 edwin wilson living theatre history of theatre seventh edition by edwin wilson author alvin goldfarb author 4 5 140 ratings see all formats and editions etextbook

living theatre a history of theatre seventh edition - Mar 01 2023

web aug 15 2017 edwin wilson living theatre a history of theatre seventh edition 7th edition kindle edition by edwin wilson author alvin goldfarb author format kindle edition 4 5 139 ratings see all formats and editions etextbook

living theatre edwin wilson alvin goldfarb w w norton - Jul 05 2023

web an accessible engaging history that brings theatre s past to life focused on the cultural relevance of theatre written in an engaging style designed to be accessible to undergraduates living theatre is the most popular text for theatre history courses

loading interface goodreads - Jul 25 2022

web discover and share books you love on goodreads

living theatre a history of theatre amazon com - May 23 2022

web jan 10 2011 developments in theatre are examined through the debates between scholars and historians emphasizing the living nature of this vibrant history a full color illustration program includes over 100 new photos and revised timelines

living theatre a history wilson edwin 1927 free download - Apr 21 2022

web living theatre a history wilson edwin 1927 free download borrow and streaming internet archive by wilson edwin 1927 publication date 2000 topics theater history theater publisher boston mcgraw hill collection printdisabled

internetarchivebooks contributor internet archive language english xxi 568 pages

cma awards 2023 jelly roll opens show with wynonna judd - Jun 23 2022

web 5 hours ago singer jelly roll kicked off the cma awards with a performance of his hit song need a favor alongside country music legend wynonna judd terry wyatt getty images jelly roll and wynonna perform onstage during the 57th annual cma awards at bridgestone arena on nov 08 2023 in nashville tenn jelly roll is nominated for five

living theatre wilson edwin free download borrow and - Oct 08 2023

web aug 8 2012 living theatre wilson edwin free download borrow and streaming internet archive living theatre by wilson edwin publication date 2004 topics theater history publisher mcgraw hill collection printdisabled internetarchivebooks contributor internet archive language english access restricted item true addeddate

living theatre a history of theatre wilson edwin abebooks - Apr 02 2023

web living theatre is the most popular text for theatre history courses the seventh edition builds on these strengths with past and present a new feature that focuses on connections between theatre s long history and the practice of theatre today and with a brilliant new design that highlights more

robert wilson oyunlarında postdramatik anlatı teknikleri İstanbul - Nov 28 2022

web robert wilson s plays yusuf demirkol abstract in this thesis formal elements of robert wilson s plays is analyzed in the context of postdramatic theatre with a focus on language time space body visual dramaturgy musicality and light in the 1970s the changes in theatre accelerated the quest for a solution to the problem of representation

robert wilson 1941 w istanbul contemporary art museum - Oct 28 2022

web contemporary art boğaziçi interview project 2012 robert wilson 1941 waco texas usa yeliz Çelebi bu history undeniably the information in wikipedia which says america s or even the world s foremost vanguard theater artist should be accepted as the just beginning of what can be said for robert wilson on his way to reach today s

living theatre history of theatre wilson edwin goldfarb alvin - Jan 31 2023

web living theatre history of theatre wilson edwin goldfarb alvin amazon com tr kitap

living theatre by edwin wilson open library - Dec 30 2022

web oct 4 2023 details reviews lists related books last edited by importbot october 4 2023 history edit an edition of living theatre 1999 living theatre history of the theatre 5th ed by edwin wilson and alvin goldfarb 0 ratings 5 want to read 1 currently reading 0 have read this edition doesn t have a description yet can you add one

absolute wilson the biography - Sep 26 2022

web music as model method and metaphor in theatre making to live is to resist lee wilson and the transformation of agriculture in the new south the life of antonio gramsci white rose volume 7 postwar to contemporary 1945 2020 the composition of identity in contemporary and experimental music the years of preparation wilson supplemental

living theatre a history edwin wilson alvin goldfarb google - Jun 04 2023

web dec 11 2006 edwin wilson alvin goldfarb mcgraw hill companies incorporated dec 11 2006 performing arts 656 pages
living theatre a history conveys the excitement and variety of theatre

[living theatre a history of theatre amazon com](#) - Aug 06 2023

web aug 15 2017 living theatre is the most popular text for theatre history courses the seventh edition builds on these strengths with past and present a new feature that focuses on connections between theatre s long history and the practice of theatre today and with a brilliant new design that highlights the beauty and excitement of the

pdf living theatre a history of theatre by edwin wilson alvin - Sep 07 2023

web thea 240 theatre history and dramatic literature i from origins to the 1700s arnab banerji this course introduces students to the history of world theatre and corresponding dramatic literature from the prehistoric rituals to the eighteenth century

people have woken up to a degree artist fred wilson on - Aug 26 2022

web sep 25 2019 people people have woken up to a degree artist fred wilson on progress in the art world and the evolving reception of his work the artist spoke with us on the occasion of his splendid

part of your world sheet music alan menken alto sax solo - Mar 20 2022

web download and print part of your world sheet music for alto sax solo by alan menken from sheet music direct

part of your world arr david mckeown by alan menken alto sax - Apr 01 2023

web product id 661078 instruments alto sax product description part of your world is one of the best loved songs from the 1989 disney film the little mermaid this version is arranged as a duet for two alto saxophones

[101 disney songs for alto sax west music](#) - May 22 2022

web 101 disney songs is a marvelous collection of timeless tunes for instrumentalists the selections range from classic animated disney shows to modern favorites and are arranged for intermediate level players available for flute clarinet alto saxophone tenor saxophone trumpet french horn

the little mermaid imslp free sheet music pdf download - Dec 29 2022

web scores featuring the orchestra for flute organ arr scores featuring the flute arr scores featuring the organ arr for 2 players arr for alto saxophone piano arr scores

part of your world sheet music for piano alto piano voice - May 02 2023

web dec 24 2019 part of your world sheet music for piano alto piano voice musescore com download and print in pdf or midi free sheet music for part of your world by alan menken arranged by constructi for piano alto piano voice

101 disney songs for alto sax amazon com - Feb 16 2022

web jan 1 2018 publisher hal leonard january 1 2018 language english paperback 112 pages isbn 10 9781540002358 isbn

13 978 1540002358 item weight 14 4 ounces dimensions 9 x 0 29 x 12 inches best sellers rank 188 613 in books see top 100 in books 47 in saxophone songbooks

part of your world sheet music musicnotes com - Jan 30 2023

web part of your world from the little mermaid mixed flute ensemble by gina luciani scoring score parts instruments flute alto flute 1 alto flute 2 alto flute 3 alto flute 4 alto flute 5 bass flute pages 19 lyrics does not contain lyrics product type digital sheet music

alto sax part of your world disney s the little mermaid - Oct 07 2023

web alto sax part of your world disney s the little mermaid sheet music vocal chords start learning how to play your favorite songs today with free online music classes get

part of your world saxophone alto youtube - Nov 27 2022

web une interprétation de part of your world partir là bas dans la version française européenne issu de la petite sirène des studios disney l arrangement e

part of your world alto sax the little mermaid youtube - Apr 20 2022

web part of your world alto sax the little mermaid jess todd 116 subscribers subscribe 10 share save 1 4k views 11 years ago another disney song on alto sax hope you

the collection of disney songs for alto saxophone upper - Jun 22 2022

web shinko music entertainment the collection of disney songs for alto saxophone upper intermediate w cd backing tracks sheet music book saxophone upper intermediate 57 36 usd tax included shipping calculated at checkout quantity add to cart add to wishlist instrument alto saxophone skill level upper intermediate

disney part of your world solo alto saxophone scribd - Sep 25 2022

web disney part of your world solo alto saxophone read online for free scribd is the world s largest social reading and publishing site disney part of your world solo alto saxophone

disney movie hits for alto sax play along with a full symphony - Aug 25 2022

web series instrumental play along format softcover audio online alto sax composer various now solo instrumentalists can play along with a dozen favorite songs from disney blockbusters such as beauty and the beast the lion king monsters inc toy story 2 and other beloved movies

part of your world from the little mermaid sheet music alto - Sep 06 2023

web mn0133900 more songs from the show the little mermaid print and download part of your world sheet music from the little mermaid arranged for alto saxophone instrumental solo in d major

part of your world from the little mermaid sheet music for alto saxophone - Jun 03 2023

web alan menken part of your world from the little mermaid for alto saxophone solo intermediate alto sax sheet music high quality and interactive transposable in any key play along includes an high quality pdf file to download instantly licensed to virtual sheet music by hal leonard publishing company

part of your world under the sea disney solos alto saxophone - Jul 04 2023

web jan 8 2013 part of your world under the sea the little mermaid disney solos review for tommasovivaldi com by tommaso vivaldi vsaxophone com

part of your world 101 disney songs for alto sax scribd - Feb 28 2023

web part of your world sheet music 101 disney songs by hal leonard llc enjoy millions of ebooks and audiobooks and unlimited sheet music on the web ipad iphone and android instrumental folio if you play an instrument and you re a disney fan you ll love this collection of 101 favorites to learn and play

101 disney songs alto sax reverb - Oct 27 2022

web 101 disney songs alto sax reverb description if you play an instrument and you re a disney fan you ll love this collection of 101 favorites to learn and play songs include beauty and the beast can you feel the love tonight a dream is a wish your heart makes evermore go the distance he s a pirate i see the light k description

part of your world the little mermaid disney alto saxophone - Aug 05 2023

web a beginners voyage

disney songs on alto saxophone youtube - Jul 24 2022

web two disney songs on alto sax

track the speaker vote count follow who will get leadership job - Oct 29 2021

new countdown oxford university press pakistan - May 04 2022

countdown second edition an enthralling opus penned by a highly acclaimed wordsmith readers set about an immersive expedition to unravel the intricate significance of language

oxford new countdown book 6 second edition exercise 2b full - Jan 12 2023

apr 29 2020 asalam o alaikumin this lecture solved the exercise 2b question number 1 2 4 5 8 oxford new countdown book 7 second edition this is a great channel that pro

[oxford new countdown book 7 second edition exercise 2a](#) - Jul 06 2022

oxford countdown second edition book is available in our digital library an online access to it is set as public so you can download it instantly our books collection hosts in multiple

oxford discover 2nd edition - Mar 14 2023

jan 19 2021 334 share 18k views 1 year ago assalam o alaikum in this lecture solved the oxford new countdown book 6 second edition exercise 15 all definitions cube cuboid sphere cylinder cone

oxford countdown math 5 pdf area fraction mathematics - Apr 15 2023

may 3 2020 assalam o alaikum in this lecture solved the oxford new countdown book 6 second edition exercise 2b full this is a great channel that provides several tutoring math videos covering

[countdown maths oxford free download pdf](#) - Sep 20 2023

jun 16 2016 countdown maths oxford june 16 2016 author tanzil10 category n a download pdf 583 1kb share embed donate report this link short description

[oxford countdown second edition wiki lwn net](#) - Dec 31 2021

new oxford countdown book 2 third edition kitab - Nov 29 2021

[oxford countdown level six math solution book pdf scribd](#) - Jun 05 2022

chapter 1 pdf chapter 2 pdf chapter 3 pdf chapter 4 pdf chapter 5 pdf chapter 6 pdf chapter 7 pdf chapter 8 pdf chapter 9 pdf

6 new countdown second edition oxford pdf scribd - May 16 2023

create one now with your access code for oxford discover 2nd edition register help and support oxford online practice is an online course component for english language

countdown 4 teaching guide second edition - Jun 17 2023

5 teaching guide second edition new iii 1 a note to the teacher from the author iv introduction 1 part one revision 4 graphs 4 place value 5 addition and

countdown level six maths teaching guide academia edu - Apr 03 2022

new oxford countdown book 2 third edition latest edition will be delivered 2020 details new old rs 570 rs 380 book id 2677

new oxford countdown book 2 third

countdown 5 teaching guide second edition - Aug 19 2023

welcome users of the countdown series countdown has been the choice of mathematics teachers for many years this teaching guide has been specially designed to help them teach

oxford new countdown book 7 second edition exercise 2b - Sep 08 2022

welcome users of the countdown series countdown has been the choice of mathematics teachers for many years this teaching guide has been specially designed to help them teach

countdown oxford university press pakistan - Jul 18 2023

6 new countdown second edition oxford uploaded by graphical effects this is a paragraph document copyright all rights reserved available formats download as docx pdf

oxford countdown level 6 maths solutions marketspot uccs - Sep 27 2021

oxford new countdown book 6 second edition exercise 15 q 1 - Dec 11 2022

new countdown 2nd edition book 7 new countdown 2nd edition book 6 be the first to review this product publisher oxford university press class level class 6 author

new countdown second edition book 8 oxford math - Feb 13 2023

oct 7 2020 oxford new countdown book 6 second edition exercise 8b q 3 to 10 about algebra addition subtraction 18k views 2 years ago oxford new countdown book 6

answers to in chapter questions oxford university press - Feb 01 2022

new countdown second edition is a carefully structured and graded mathematics course comprising ten books from the two levels of kindergarten to class 8

new countdown 2nd edition book 6 - Aug 07 2022

countdown level six maths teaching guide saeed akbar professional development improves a teacher s depth knowledge and instructional decision making judgement and leadership

oxford countdown second edition book pdf wiki lwn - Mar 02 2022

oct 17 2023 updated 12 40 pm edt tue october 17 2023 link copied cnn the us house of representatives is conducting an open floor vote to determine who will be its next

new countdown second edition book 8 - Nov 10 2022

apr 23 2020 445 share 15k views 3 years ago oxford new countdown book 7 second edition countdown class 7th countdown grade 7 countdown book 7 series math class

oxford new countdown book 6 second edition exercise 8b q 3 to - Oct 09 2022

download now of 2 oxford countdown level six math solution book get read download ebook oxford countdown level six math solution book as pdf for free at the biggest ebook