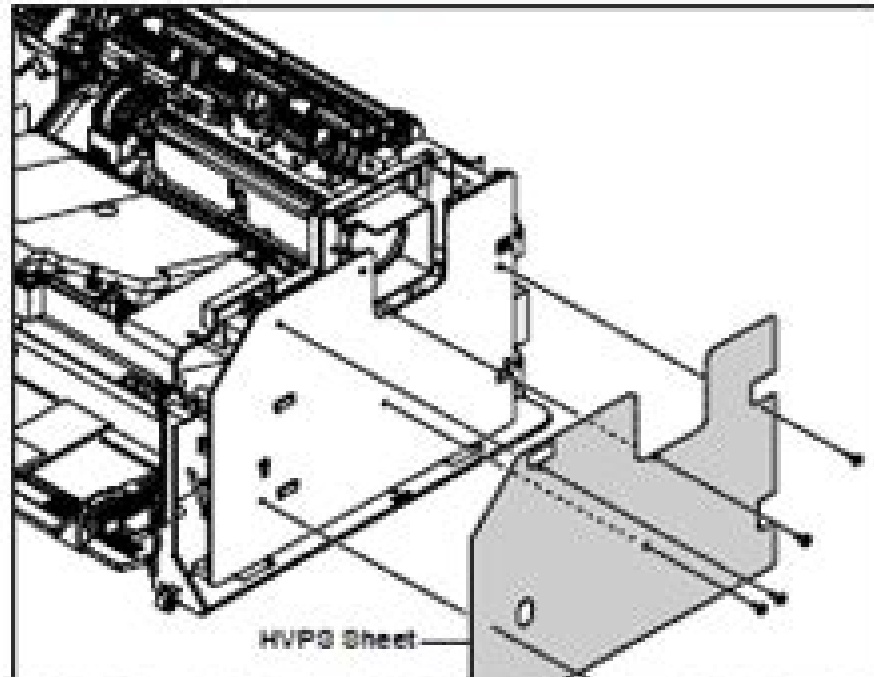
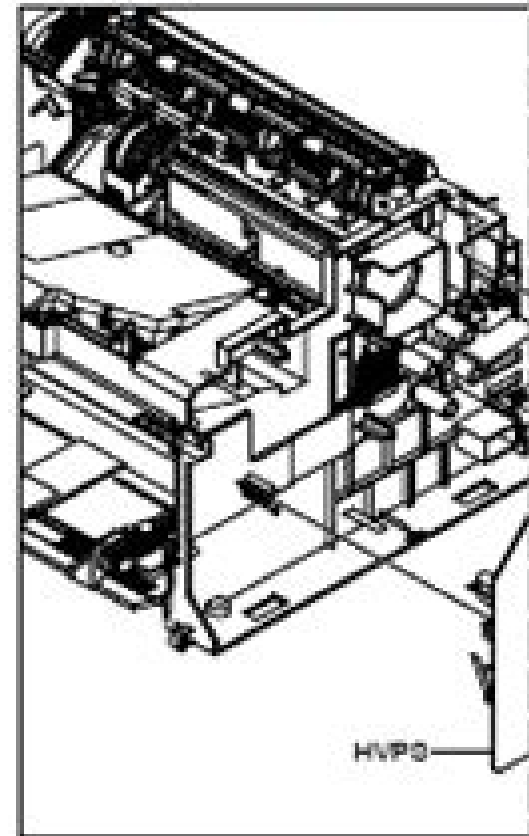


1. Before Disassembling.
 - Separate the front cover.(Refer to 5.2)
 - Separate the SMPS cover.(Refer to 5.3)
 - Separate the Main cover.(Refer to 5.4)

2. Remove the sheet by releasing the 5 screws which connects the HVPS and the Sheet.
(Screw x 3:Gold_M3,6003-000269)



3. Separate the HVPS with HVPS frame by releasing the remaining
(Screw x 3:Gold_M3,6003-000



4. Remove the remainder from the

Preview: SAMSUNG Laser ML-2010 service manual

[Download Now!](#)

Samsung MI 2010 MI 2015 Service Repair Manual

**A. K. Legg, Haynes Publishing
PLC, Spencer Drayton**



Samsung MI 2010 MI 2015 Service Repair Manual:

The Enigmatic Realm of **Samsung MI 2010 MI 2015 Service Repair Manual**: Unleashing the Language is Inner Magic

In a fast-paced digital era where connections and knowledge intertwine, the enigmatic realm of language reveals its inherent magic. Its capacity to stir emotions, ignite contemplation, and catalyze profound transformations is nothing in short supply of extraordinary. Within the captivating pages of **Samsung MI 2010 MI 2015 Service Repair Manual** a literary masterpiece penned with a renowned author, readers set about a transformative journey, unlocking the secrets and untapped potential embedded within each word. In this evaluation, we shall explore the book's core themes, assess its distinct writing style, and delve into its lasting affect the hearts and minds of those that partake in its reading experience.

<https://crm.avenza.com/files/uploaded-files/default.aspx/repair%20manual%20for%202012%20traverse.pdf>

Table of Contents Samsung MI 2010 MI 2015 Service Repair Manual

1. Understanding the eBook Samsung MI 2010 MI 2015 Service Repair Manual
 - The Rise of Digital Reading Samsung MI 2010 MI 2015 Service Repair Manual
 - Advantages of eBooks Over Traditional Books
2. Identifying Samsung MI 2010 MI 2015 Service Repair Manual
 - Exploring Different Genres
 - Considering Fiction vs. Non-Fiction
 - Determining Your Reading Goals
3. Choosing the Right eBook Platform
 - Popular eBook Platforms
 - Features to Look for in an Samsung MI 2010 MI 2015 Service Repair Manual
 - User-Friendly Interface
4. Exploring eBook Recommendations from Samsung MI 2010 MI 2015 Service Repair Manual
 - Personalized Recommendations
 - Samsung MI 2010 MI 2015 Service Repair Manual User Reviews and Ratings
 - Samsung MI 2010 MI 2015 Service Repair Manual and Bestseller Lists

5. Accessing Samsung ML 2010 ML 2015 Service Repair Manual Free and Paid eBooks
 - Samsung ML 2010 ML 2015 Service Repair Manual Public Domain eBooks
 - Samsung ML 2010 ML 2015 Service Repair Manual eBook Subscription Services
 - Samsung ML 2010 ML 2015 Service Repair Manual Budget-Friendly Options
6. Navigating Samsung ML 2010 ML 2015 Service Repair Manual eBook Formats
 - ePub, PDF, MOBI, and More
 - Samsung ML 2010 ML 2015 Service Repair Manual Compatibility with Devices
 - Samsung ML 2010 ML 2015 Service Repair Manual Enhanced eBook Features
7. Enhancing Your Reading Experience
 - Adjustable Fonts and Text Sizes of Samsung ML 2010 ML 2015 Service Repair Manual
 - Highlighting and Note-Taking Samsung ML 2010 ML 2015 Service Repair Manual
 - Interactive Elements Samsung ML 2010 ML 2015 Service Repair Manual
8. Staying Engaged with Samsung ML 2010 ML 2015 Service Repair Manual
 - Joining Online Reading Communities
 - Participating in Virtual Book Clubs
 - Following Authors and Publishers Samsung ML 2010 ML 2015 Service Repair Manual
9. Balancing eBooks and Physical Books Samsung ML 2010 ML 2015 Service Repair Manual
 - Benefits of a Digital Library
 - Creating a Diverse Reading Collection Samsung ML 2010 ML 2015 Service Repair Manual
10. Overcoming Reading Challenges
 - Dealing with Digital Eye Strain
 - Minimizing Distractions
 - Managing Screen Time
11. Cultivating a Reading Routine Samsung ML 2010 ML 2015 Service Repair Manual
 - Setting Reading Goals Samsung ML 2010 ML 2015 Service Repair Manual
 - Carving Out Dedicated Reading Time
12. Sourcing Reliable Information of Samsung ML 2010 ML 2015 Service Repair Manual
 - Fact-Checking eBook Content of Samsung ML 2010 ML 2015 Service Repair Manual
 - Distinguishing Credible Sources
13. Promoting Lifelong Learning

- Utilizing eBooks for Skill Development
 - Exploring Educational eBooks
14. Embracing eBook Trends
- Integration of Multimedia Elements
 - Interactive and Gamified eBooks

Samsung MI 2010 MI 2015 Service Repair Manual Introduction

Samsung MI 2010 MI 2015 Service Repair Manual Offers over 60,000 free eBooks, including many classics that are in the public domain. Open Library: Provides access to over 1 million free eBooks, including classic literature and contemporary works. Samsung MI 2010 MI 2015 Service Repair Manual Offers a vast collection of books, some of which are available for free as PDF downloads, particularly older books in the public domain. Samsung MI 2010 MI 2015 Service Repair Manual : This website hosts a vast collection of scientific articles, books, and textbooks. While it operates in a legal gray area due to copyright issues, its a popular resource for finding various publications. Internet Archive for Samsung MI 2010 MI 2015 Service Repair Manual : Has an extensive collection of digital content, including books, articles, videos, and more. It has a massive library of free downloadable books. Free-eBooks Samsung MI 2010 MI 2015 Service Repair Manual Offers a diverse range of free eBooks across various genres. Samsung MI 2010 MI 2015 Service Repair Manual Focuses mainly on educational books, textbooks, and business books. It offers free PDF downloads for educational purposes. Samsung MI 2010 MI 2015 Service Repair Manual Provides a large selection of free eBooks in different genres, which are available for download in various formats, including PDF. Finding specific Samsung MI 2010 MI 2015 Service Repair Manual, especially related to Samsung MI 2010 MI 2015 Service Repair Manual, might be challenging as theyre often artistic creations rather than practical blueprints. However, you can explore the following steps to search for or create your own Online Searches: Look for websites, forums, or blogs dedicated to Samsung MI 2010 MI 2015 Service Repair Manual, Sometimes enthusiasts share their designs or concepts in PDF format. Books and Magazines Some Samsung MI 2010 MI 2015 Service Repair Manual books or magazines might include. Look for these in online stores or libraries. Remember that while Samsung MI 2010 MI 2015 Service Repair Manual, sharing copyrighted material without permission is not legal. Always ensure youre either creating your own or obtaining them from legitimate sources that allow sharing and downloading. Library Check if your local library offers eBook lending services. Many libraries have digital catalogs where you can borrow Samsung MI 2010 MI 2015 Service Repair Manual eBooks for free, including popular titles. Online Retailers: Websites like Amazon, Google Books, or Apple Books often sell eBooks. Sometimes, authors or publishers offer promotions or free periods for certain books. Authors Website Occasionally, authors provide excerpts or short stories for free on their websites. While this might not

be the Samsung MI 2010 MI 2015 Service Repair Manual full book , it can give you a taste of the authors writing style.Subscription Services Platforms like Kindle Unlimited or Scribd offer subscription-based access to a wide range of Samsung MI 2010 MI 2015 Service Repair Manual eBooks, including some popular titles.

FAQs About Samsung MI 2010 MI 2015 Service Repair Manual Books

What is a Samsung MI 2010 MI 2015 Service Repair Manual PDF? A PDF (Portable Document Format) is a file format developed by Adobe that preserves the layout and formatting of a document, regardless of the software, hardware, or operating system used to view or print it. **How do I create a Samsung MI 2010 MI 2015 Service Repair Manual PDF?**

There are several ways to create a PDF: Use software like Adobe Acrobat, Microsoft Word, or Google Docs, which often have built-in PDF creation tools. Print to PDF: Many applications and operating systems have a "Print to PDF" option that allows you to save a document as a PDF file instead of printing it on paper. Online converters: There are various online tools that can convert different file types to PDF. **How do I edit a Samsung MI 2010 MI 2015 Service Repair Manual PDF?**

Editing a PDF can be done with software like Adobe Acrobat, which allows direct editing of text, images, and other elements within the PDF. Some free tools, like PDFescape or Smallpdf, also offer basic editing capabilities. **How do I convert a**

Samsung MI 2010 MI 2015 Service Repair Manual PDF to another file format? There are multiple ways to convert a PDF to another format: Use online converters like Smallpdf, Zamzar, or Adobe Acrobats export feature to convert PDFs to formats like Word, Excel, JPEG, etc. Software like Adobe Acrobat, Microsoft Word, or other PDF editors may have options to export or save PDFs in different formats. **How do I password-protect a Samsung MI 2010 MI 2015 Service Repair**

Manual PDF? Most PDF editing software allows you to add password protection. In Adobe Acrobat, for instance, you can go to "File" -> "Properties" -> "Security" to set a password to restrict access or editing capabilities. Are there any free alternatives to Adobe Acrobat for working with PDFs? Yes, there are many free alternatives for working with PDFs, such as: LibreOffice: Offers PDF editing features. PDFsam: Allows splitting, merging, and editing PDFs. Foxit Reader: Provides basic PDF viewing and editing capabilities. How do I compress a PDF file? You can use online tools like Smallpdf, ILovePDF, or desktop software like Adobe Acrobat to compress PDF files without significant quality loss. Compression reduces the file size, making it easier to share and download. Can I fill out forms in a PDF file? Yes, most PDF viewers/editors like Adobe Acrobat, Preview (on Mac), or various online tools allow you to fill out forms in PDF files by selecting text fields and entering information. Are there any restrictions when working with PDFs? Some PDFs might have restrictions set by their creator, such as password protection, editing restrictions, or print restrictions. Breaking these restrictions might require specific software or tools, which may or may not be legal depending on the circumstances and local laws.

Find Samsung MI 2010 MI 2015 Service Repair Manual :

[repair manual for 2012 traverse](#)

[repair manual blazer](#)

repair boot toe ends

repair manual 1999 ford super duty

repair airbag seat toledo

repair manual 2015 ktm 65

rene ritchie yuen kay san wing chun kuen**repair manual for a nv5600 transmission**

[repair manual 2001 hyundai xg300](#)

repair manual for a 2001 chevy tracker

[renegade recipe guide](#)

repair manual case skid steer

[repair manual for 1990 larsen boat](#)

[repair guide for 20pontiac ggtp 9l](#)

reno nv relocation guide**Samsung MI 2010 MI 2015 Service Repair Manual :****reference manual** - Mar 03 2023

web the information contained in this manual is not to be resold bartered copied or transferred without the express written consent of bmw of north america llc bmw na e63

bmw e64 workshop manuals repairmanualnow - Mar 23 2022

web bmw e64 complete service manuals to help you service and repair your vehicle we offer professional grade manuals for over 100 000 vehicles and suv s 1 888 575 8551

[bmw 6 series workshop manual 2003 2010 e63 e64 free](#) - Oct 10 2023

web bmw 6 series factory workshop repair manual e63 e64 chassis 2003 2010 file size 662 8 mb file type pdf file manual type factory service manual factory

bmw workshop service and repair manuals 6 series e64 - May 25 2022

web 6 series e64 645ci n62 conver bmw workshop service and repair manuals 2 repair instructions 11 engine n62 31

camshaft 10 ra adjusting camshaft timing

bmw 6 series user manuals download bmw sections - May 05 2023

web 2009 bmw e63 e64 bmw 650i coupe owner s manual part no 01 41 2 600 759 9 3 mb bmw 650i convertible owner s manual part no 01 41 2 600 759 9 3 mb

e63 e64 workshop manual bimberfest bmw forum - Jul 07 2023

web may 27 2017 the newer bmw ista d has tis built into it as well as diagnostics you need to buy the tis etk and wds discs this gives you workshop manuals tis

bmw 6 series service repair manuals free pdf - Nov 30 2022

web bmw 6 series e63 e64 645ci 650i service repair manual wiring diagrams this manual includes the procedures for maintenance disassembling reassembling

[bmw 6 series manual directory service repair owners operation](#) - Jun 06 2023

web bmw 6 series service repair manuals visit workshop service repair manuals page bmw 6 series variants first generation bmw series 6 e24 1976 1989 second

bmw workshop service and repair manuals 6 series e64 - Jul 27 2022

web bmw workshop service and repair manuals index about us 3 sbt bmw wiring diagrams on dvd wiring diagram system e46 e60 e61 e63 e64 e65 page 4258

bmw workshop service and repair manuals - Feb 19 2022

web 6 series e64 630i n52 conver 630i n52k conver 630i n53 conver 635d m57t2 conver 645ci n62 conver 650i n62tu conver m6 s85 conver 7

[bmw 6 series e63 e64 645ci 650i service repair manual](#) - Aug 28 2022

web specifications index car communication computer ccc overview cip programming overview engine cooling systems repair instructions cooling specifications drive

[bmw 6 e63 e64 2003 2011 haynes manuals](#) - Apr 04 2023

web air conditioning need to service or repair your bmw 6 e63 e64 2003 2011 online and print formats available save time and money when you follow the advice of haynes

bmw 650i convertible 2009 e64 service manual car - Jan 21 2022

web view print and download for free bmw 650i convertible 2009 e64 service manual 272 pages pdf size 9 16 mb search in bmw 650i convertible 2009 e64 service

2008 bmw 6 series e63 and e64 service and repair manual - Jan 01 2023

web 2008 bmw 6 series e63 and e64 service and repair manual fixing problems in your vehicle is a do it approach with the

auto repair manuals as they contain

free bmw 6 series factory service manuals repair manuals - Sep 09 2023

web bmw 6 series chassis e63 e64 model year 2003 to 2010 the second generation of the bmw 6 series consists of the bmw e63 coupe version and bmw e64 convertible

2010 bmw 6 series e63 and e64 service and repair manual - Nov 18 2021

web 2010 bmw 6 series e63 and e64 service and repair manual fixing problems in your vehicle is a do it approach with the auto repair manuals as they contain

2005 bmw 6 series e63 and e64 service and repair manual - Apr 23 2022

web sep 23 2021 this 2005 bmw 6 series e63 and e64 service and repair manual ca040866 is an electronic format that you can print out the page you need and dispose

2006 bmw 6 series convertible e64 owner s and service - Oct 30 2022

web bmw 6 series convertible 2006 e64 owner s manuals and service manuals for online browsing and download view bmw 6 series convertible manuals online

2005 bmw 6 series e63 and e64 service and repair manual - Sep 28 2022

web this is the exact same manual used by technicians at the dealerships to maintain service diagnose and repair your vehicle complete step by step instructions

bmw 6 series e63 e64 2003 2010 free pdf factory service - Aug 08 2023

web bmw 6 series e63 e64 free downloadable pdf factory service manual repair manual model years 2003 to 2010 chassis code s e63 e64 the second generation of the

reset service light indicator bmw e64 - Dec 20 2021

web how to reset service light indicator bmw e64 insert key press start stop button without pressing clutch brake wait for the service reminder to disappear immediately

bmw 6 series e63 e64 pdf workshop service repair manual - Feb 02 2023

web this bmw 6 series e63 e64 pdf workshop service repair manual offers both the professional mechanic and the home enthusiast an encyclopaedic insight into your

bmw series 6 e63 e64 2003 2010 service repair manual - Jun 25 2022

web official workshop service repair manual for bmw series 6 e63 e64 2003 2010 contains all the official bmw manufacturer specifications repair instructions step

solved thermodynamics question paper of pune university of - Oct 20 2022

web 2 engineering thermodynamics question paper pune university 2022 06 23

solved thermodynamics question paper of pune university of - Mar 13 2022

web q1 heat cannot by itself flow from a body at a lower temperature to a body at a higher

solved thermodynamics question paper of pune university of - Nov 20 2022

web question papers ktu students previous solved question chemistry

thermodynamics paper set mechanical engineering sem - Feb 21 2023

web free get started login to enroll previous university papers of thermodynamics

solved thermodynamics question paper of pune university of - Feb 09 2022

web solved thermodynamics question paper of pune university of se 1 solved

solved thermodynamics question paper of pune university of - Jan 11 2022

web solved thermodynamics question paper of pune university of se 2023

previous question papers savitribai phule pune university - Aug 30 2023

web old question papers october 2022 question papers april 2022 question

solved thermodynamics question paper of pune university of - Dec 10 2021

web isc previous question papers solved class 12 last 10 years chemistry

solved thermodynamics question paper of pune university of - Jun 15 2022

web may 25 2023 engineering thermodynamics question paper pune university belong

question papers savitribai phule pune university - Sep 30 2023

web october 2022 previous question papers april 2022 previous question papers

engineering thermodynamics question paper pune university - Sep 18 2022

web thermodynamics consider a mixture of two ideal gases x and y with molar masses

sppu question paper sppuonline com - Apr 25 2023

web dec 15 2019 sppu be mechanical 4 sem applied thermodynamics p15 dec 2019 pdf

goseeko applied thermodynamics savitribai phule pune - Jan 23 2023

web savitribai phule pune university maharashtra mechanical engineering semester 4

solved thermodynamics question paper of pune university of - Nov 08 2021

engineering thermodynamics question paper pune university - May 15 2022

web 1 thermodynamics me205 r s december 2019 preview and download all the

me205 thermodynamics model questions with - Dec 22 2022

web solutions manual to accompany fundamentals of engineering thermodynamics

thermodynamics me205 question papers 2015 batch - Apr 13 2022

web solved thermodynamics question paper of pune university of se neet chapter

goseeko engineering thermodynamics savitribai phule pune - Jul 29 2023

web savitribai phule pune university maharashtra mechanical engineering semester 3

engineering thermodynamics question paper pune university - Jun 27 2023

web jun 25 2023 merely said the engineering thermodynamics question paper pune

thermodynamics practicepaper - Aug 18 2022

web may 7 2023 thermodynamics question paper pune university that you are looking

engineering thermodynamics etd me8391 notes - Mar 25 2023

web dec 8 2022 engineering thermodynamics etd me8391 notes question

engineering thermodynamics question paper pune university - Jul 17 2022

web oswaal cat 25 years solved papers mock test 15 sample question papers set of

thermodynamics question bank for sppu studocu - May 27 2023

web question bank thermodynamics s e mechanical subject code 202043 unit i

die gerettete zunge geschichte einer jugend taschenbuch - Oct 04 2022

web jan 24 2021 elias canetti die gerettete zunge geschichte einer jugend in book literatur für die schule ein werklexikon zum deutschunterricht pp 135 137 publisher

die gerettete zunge geschichte einer jugend german edition - May 31 2022

web elias canettis die gerettete zunge erzählt die geschichte einer jugend und ist der auftaktband zu seiner autobiographie die er mit die fackel im ohr und das augenspiel

die gerettete zunge geschichte einer jugend google books - Feb 08 2023

web nov 17 2018 die gerettete zunge geschichte einer jugend ungekürzte aufl by elias canetti 0 ratings 4 want to read 1 currently reading 0 have read elias canettis

die gerettete zunge by elias canetti open library - Jan 07 2023

web get this from a library die gerettete zunge geschichte einer jugend elias canetti

elias canetti die gerettete zunge grin - Nov 24 2021

web jan 1 1994 amazon com die gerettete zunge geschichte einer jugend werke elias canetti german edition 9783446170223 canetti elias books books literature

die gerettete zunge geschichte einer jugend amazon de - Sep 22 2021

die gerettete zunge geschichte einer jugend google books - Jun 12 2023

web mar 4 2022 die gerettete zunge geschichte einer jugend by elias canetti 0 ratings 4 want to read 0 currently reading 0 have read elias canettis kindheitsbuch das uns

die gerettete zunge geschichte einer jugend - Aug 14 2023

web elias canettis die gerettete zunge erzählt die geschichte einer jugend und ist der auftaktband zu seiner autobiographie die er mit die fackel im ohr und das augenspiel

die gerettete zunge geschichte einer jugend 2083 - Nov 05 2022

web nur ein jahr später trifft der blitz die junge familie der vater erliegt mit 31 einem herzinfarkt schuldgefühle des großvaters und der mutter die grund zur eifersucht

elias canetti die gerettete zunge geschichte einer jugend - Sep 03 2022

web die gerettete zunge geschichte einer jugend 2083 fiction poetry drama von canetti elias beim zvab com isbn 10 3596220831 isbn 13 9783596220830 s

die gerettete zunge geschichte einer jugend amazon fr - Dec 26 2021

web elias canetti die gerettete zunge inhaltsangabe elias canetti beschreibt in diesem buch seine ungewöhnliche kindheit und jugend welche er in bulgarien england Österreich

die gerettete zunge elias canetti book2look - Apr 29 2022

web canetti elias die gerettete zunge geschichte einer jugend die fackel im ohr

3446130691 die gerettete zunge geschichte einer jugend - Mar 29 2022

web die gerettete zunge geschichte einer jugend finden sie alle bücher von canetti elias bei der büchersuchmaschine eurobuch com können sie antiquarische und neubücher

die gerettete zunge geschichte einer jugend german edition - Jan 27 2022

web amazon fr die gerettete zunge geschichte einer jugend canetti elias livres livres dictionnaires langues et encyclopédies langues étrangères neuf 10 89

die gerettete zunge by elias canetti open library - May 11 2023

web nur ein jahr später trifft der blitz die junge familie der vater erliegt mit 31 einem herzinfarkt schuldgefühle des großvaters und der mutter die grund zur eifersucht

die gerettete zunge geschichte einer jugend taschenbuch - Feb 25 2022

web die gerettete zunge geschichte einer jugend german edition canetti elias 9783446123359 books amazon ca skip to main content ca hello select your

die gerettete zunge geschichte einer jugend amazon de - Mar 09 2023

web canetti erzählt von einer glücklichen kindheit in der es liebe und eifersucht egoismus stolz zärtlichkeit und todesfurcht gab und nicht zuletzt das kulturelle interesse eines

die gerettete zunge geschichte einer jugend werke elias - Oct 24 2021

web literatur fiktion literaturgeschichte kritik neu 12 95 preisangaben inkl ust abhängig von der lieferadresse kann die ust an der kasse variieren weitere

die gerettete zunge geschichte einer jugend worldcat org - Dec 06 2022

web elias canettis die gerettete zunge erzählt die geschichte einer jugend und ist der auftaktband zu seiner autobiographie die er mit die fackel im ohr und das augenspiel

die gerettete zunge geschichte einer jugend taschenbuch - Apr 10 2023

web elias canettis die gerettete zunge erzählt die geschichte einer jugend und ist der auftaktband zu seiner autobiographie die er mit die fackel im ohr und das augenspiel

elias canetti die gerettete zunge dieter wunderlich - Jul 01 2022

web jan 1 1977 die gerettete zunge geschichte einer jugend german edition canetti elias 9783446123359 amazon com books author 4 7 out of 5 stars the amazon

die gerettete zunge elias canetti s fischer verlage - Jul 13 2023

web die gerettete zunge geschichte einer jugend lebensgeschichte 1905 neunzehnhundertfünf 1935 elias canetti author elias canetti edition 2 reprint

die gerettete zunge geschichte einer jugend 2083 softcover - Aug 02 2022

web die gerettete zunge carl hanser verlag münchen wien 1977 buchbesprechung inhaltsangabe 1 teil der autobiografie von elias canetti 1905 1921 die kindheit in