

21213

4 Hours / 100 Marks

Seat No.

4	5	9	6	2	8	-	+
---	---	---	---	---	---	---	---

- Instructions :**
- (1) All Questions are *compulsory*.
 - (2) Illustrate your answers with neat sketches wherever necessary.
 - (3) Figures to the right indicate full marks.
 - (4) Assume suitable data, if necessary.
 - (5) Use of Non-Programmable Electronic Pocket Calculator is permissible.
 - (6) Mobile Phone, Pager and any other Electronic Communication devices are not permissible in Examination Hall.
 - (7) Use only H/2H grade pencil.

1. (a) A pictorial view of an object is shown in Fig. 1. Draw following views
- Marks**
- by using 1st Angle method of projection :
- | | |
|---|---|
| (1) Sectional F.V; section along A – A. | 5 |
| (2) Left hand side view. | 5 |

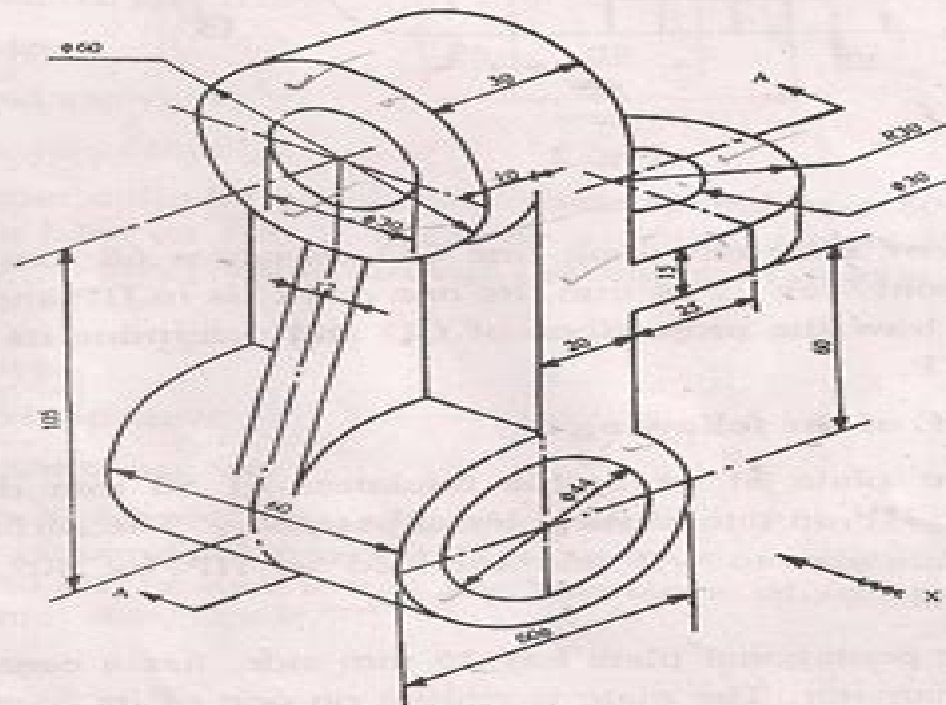


Fig. 1

Sample Question Paper Mechanical G Scheme

Jagdish Mehra, Helmut Rechenberg



Sample Question Paper Mechanical G Scheme:

Hydro-Mechanical Coupling and Creep Behaviours of Geomaterials Yanlin Zhao, Hang Lin, Yixian Wang, Lianyang Zhang, 2021-03-03

Guide to Coal India Management Trainee Tier I & II Mechanical Engineering Exam with 2022 Solved Paper 2nd Edition Disha Experts, 2019-12-24

Guide to Coal India Management Trainee Tier I II Mechanical Engineering Exam covers all the 5 sections including the Technical Ability section in detail The book covers the complete syllabus as prescribed in the latest notification The book is divided into 5 sections which are further divided into chapters which contains theory explaining the concepts involved followed by practice exercises The Technical section is divided into 11 chapters The book also provides 2022 Tier I II Solved Papers

Advances in Heterogeneous Material Mechanics 2011 Jinghong Fan, 2011

Developments in Advanced Ceramics and Composites Manuel E. Brito, Peter Filip, Charles A. Lewinsohn, Ali Sayir, Mark Opeka, William M. Mullins, 2009-09-29

Over 40 papers are included in this volume from six symposia held during the 29th International Conference on Advanced Ceramics and Composites Topics include ceramics and environmental applications characterization tools for materials in extreme environments functional nanomaterials biomimetics carbon carbon and ceramic composite materials in friction multifunctional materials systems and reliability

Proceedings of Mechanical Engineering Research Day 2018 Mohd Fadzli Bin Abdollah, 2018-05-16 This e book is a compilation of papers presented at the 5th Mechanical Engineering Research Day MERD 18 Kampus Teknologi UTeM Melaka Malaysia on 03 May 2018

Research in Interactive Design (Vol. 4) Xavier Fischer, Alain Daidie, Benoit Eynard, Manuel Paredes, 2016-03-02

Covering key topics in the field such as technological innovation human centered sustainable engineering and manufacturing and manufacture at a global scale in a virtual world this book addresses both advanced techniques and industrial applications of key research in interactive design and manufacturing Featuring the full papers presented at the 2014 Joint Conference on Mechanical Design Engineering and Advanced Manufacturing which took place in June 2014 in Toulouse France it presents recent research and industrial success stories related to implementing interactive design and manufacturing solutions

Latest Advances in Glycoengineering Yanmei Li, Zhongping Tan, 2020-11-18

Glycans have long been known to be one of the most abundant biological molecules in living organisms They can function as energy compounds form structural cell wall matrix polymers or exist as oligomers that are attached on proteins lipids and natural products to influence their properties and function Because of their important biological roles glycans have great potential for applications in the development of new drugs materials food additives and many other products However it is often difficult to directly obtain glycans from natural sources with ideal properties for these applications Thus modification of glycan structures for desired properties has emerged as an active area of research This research area is generally called glycoengineering

Modeling and Control of Engines and Drivelines Lars Eriksson, Lars Nielsen, 2014-04-07

Control systems have come to play an important role in the performance of modern vehicles with regards

to meeting goals on low emissions and low fuel consumption To achieve these goals modeling simulation and analysis have become standard tools for the development of control systems in the automotive industry Modeling and Control of Engines and Drivelines provides an up to date treatment of the topic from a clear perspective of systems engineering and control systems which are at the core of vehicle design This book has three main goals The first is to provide a thorough understanding of component models as building blocks It has therefore been important to provide measurements from real processes to explain the underlying physics to describe the modeling considerations and to validate the resulting models experimentally Second the authors show how the models are used in the current design of control and diagnosis systems These system designs are never used in isolation so the third goal is to provide a complete setting for system integration and evaluation including complete vehicle models together with actual requirements and driving cycle analysis Key features Covers signals systems and control in modern vehicles Covers the basic dynamics of internal combustion engines and drivelines Provides a set of standard models and includes examples and case studies Covers turbo and super charging and automotive dependability and diagnosis Accompanied by a web site hosting example models and problems and solutions Modeling and Control of Engines and Drivelines is a comprehensive reference for graduate students and the authors close collaboration with the automotive industry ensures that the knowledge and skills that practicing engineers need when analysing and developing new powertrain systems are also covered

Federal Register ,1993-04-20 **The Mechanical World** ,1907 **Proceedings - Institution of Mechanical Engineers** ,1941 *Proceedings of the 10th International Conference on Civil Engineering* Guangliang Feng,2024-07-19 This open access book is a compilation of selected papers from the 10th International Conference on Civil Engineering ICCE2023 The work focuses on novel research findings on seismic technology of civil engineering structures High tech construction materials digitalization of civil engineering urban underground space development The contents make valuable contributions to academic researchers and engineers

The Discovery of Quantum Mechanics, 1925 Jagdish Mehra,Helmut Rechenberg,2000-12-28 Quantum Theory together with the principles of special and general relativity constitute a scientific revolution that has profoundly influenced the way in which we think about the universe and the fundamental forces that govern it The Historical Development of Quantum Theory is a definitive historical study of that scientific work and the human struggles that accompanied it from the beginning Drawing upon such materials as the resources of the Archives for the History of Quantum Physics the Niels Bohr Archives and the archives and scientific correspondence of the principal quantum physicists as well as Jagdish Mehra s personal discussions over many years with most of the architects of quantum theory the authors have written a rigorous scientific history of quantum theory in a deeply human context This multivolume work presents a rich account of an intellectual triumph a unique analysis of the creative scientific process The Historical Development of Quantum Theory is science history and biography all wrapped in the story of a great human enterprise Its lessons will be an aid to those working in the sciences

and humanities alike **Issues in Mechanical Engineering: 2011 Edition** ,2012-01-09 Issues in Mechanical Engineering 2011 Edition is a ScholarlyEditions eBook that delivers timely authoritative and comprehensive information about Mechanical Engineering The editors have built Issues in Mechanical Engineering 2011 Edition on the vast information databases of ScholarlyNews You can expect the information about Mechanical Engineering in this eBook to be deeper than what you can access anywhere else as well as consistently reliable authoritative informed and relevant The content of Issues in Mechanical Engineering 2011 Edition has been produced by the world s leading scientists engineers analysts research institutions and companies All of the content is from peer reviewed sources and all of it is written assembled and edited by the editors at ScholarlyEditions and available exclusively from us You now have a source you can cite with authority confidence and credibility More information is available at <http://www.ScholarlyEditions.com> **Coal and Rock Dynamic Disasters: Advances of Physical and Numerical Simulation in Monitoring, Early Warning, and Prevention - Volume II** Jingjing Meng,Jia Lin,M. Younis Khan,Zhibo Zhang,2024-05-01 This Research Topic is Volume II of a series The previous volume can be found here Coal and Rock Dynamic Disasters Advances of Physical and Numerical Simulation in Monitoring Early Warning and Prevention With the soaring growth of global population and socioeconomy energy consumption and demand has been rapidly rising and coal would still remain a fundamental energy source for a long time into the future Seeking deep coal resources becomes an inevitable trend due to the depletion of shallow coal resources Deep mining of coal resources promotes socioeconomic development whereas bringing a variety of security challenges In deep underground there is a significant risk increase in coal and rock dynamic disasters CRDDs owing to the changes in physical and mechanical properties of coal and rock In this regard it is of great importance and necessity to prevent and control CRDDs effectively and efficiently **Advanced Asphalt Materials and Paving Technologies** Zhanping You,Qingli Dai,Feipeng Xiao,2018-05-04 This book is a printed edition of the Special Issue Advanced Asphalt Materials and Paving Technologies that was published in Applied Sciences **Applied Mechanics Reviews** ,1973 *Econometric Models of Cyclical Behavior* Social Science Research Council (U.S.). Committee on Economic Stability,1972 Conference report on dynamically stable econometrics models of business cycles in the USA and their forecasting properties examines methodological problems analyses stochastic and non stochastic simulations in respect of economic policy etc and stresses the need for further studies and research Diagrams references and statistical tables Conference held in Cambridge 1969 November 14 and 15 *Inland Printer, American Lithographer* ,1904 [The Inland Printer](#) ,1904

Sample Question Paper Mechanical G Scheme Book Review: Unveiling the Magic of Language

In an electronic digital era where connections and knowledge reign supreme, the enchanting power of language has become much more apparent than ever. Its ability to stir emotions, provoke thought, and instigate transformation is really remarkable. This extraordinary book, aptly titled "**Sample Question Paper Mechanical G Scheme**," compiled by a very acclaimed author, immerses readers in a captivating exploration of the significance of language and its profound effect on our existence. Throughout this critique, we will delve to the book's central themes, evaluate its unique writing style, and assess its overall influence on its readership.

https://crm.avenza.com/public/virtual-library/Download_PDFS/Recipe_Book_Mod_18.pdf

Table of Contents Sample Question Paper Mechanical G Scheme

1. Understanding the eBook Sample Question Paper Mechanical G Scheme
 - The Rise of Digital Reading Sample Question Paper Mechanical G Scheme
 - Advantages of eBooks Over Traditional Books
2. Identifying Sample Question Paper Mechanical G Scheme
 - Exploring Different Genres
 - Considering Fiction vs. Non-Fiction
 - Determining Your Reading Goals
3. Choosing the Right eBook Platform
 - Popular eBook Platforms
 - Features to Look for in an Sample Question Paper Mechanical G Scheme
 - User-Friendly Interface
4. Exploring eBook Recommendations from Sample Question Paper Mechanical G Scheme
 - Personalized Recommendations
 - Sample Question Paper Mechanical G Scheme User Reviews and Ratings
 - Sample Question Paper Mechanical G Scheme and Bestseller Lists

5. Accessing Sample Question Paper Mechanical G Scheme Free and Paid eBooks
 - Sample Question Paper Mechanical G Scheme Public Domain eBooks
 - Sample Question Paper Mechanical G Scheme eBook Subscription Services
 - Sample Question Paper Mechanical G Scheme Budget-Friendly Options
6. Navigating Sample Question Paper Mechanical G Scheme eBook Formats
 - ePub, PDF, MOBI, and More
 - Sample Question Paper Mechanical G Scheme Compatibility with Devices
 - Sample Question Paper Mechanical G Scheme Enhanced eBook Features
7. Enhancing Your Reading Experience
 - Adjustable Fonts and Text Sizes of Sample Question Paper Mechanical G Scheme
 - Highlighting and Note-Taking Sample Question Paper Mechanical G Scheme
 - Interactive Elements Sample Question Paper Mechanical G Scheme
8. Staying Engaged with Sample Question Paper Mechanical G Scheme
 - Joining Online Reading Communities
 - Participating in Virtual Book Clubs
 - Following Authors and Publishers Sample Question Paper Mechanical G Scheme
9. Balancing eBooks and Physical Books Sample Question Paper Mechanical G Scheme
 - Benefits of a Digital Library
 - Creating a Diverse Reading Collection Sample Question Paper Mechanical G Scheme
10. Overcoming Reading Challenges
 - Dealing with Digital Eye Strain
 - Minimizing Distractions
 - Managing Screen Time
11. Cultivating a Reading Routine Sample Question Paper Mechanical G Scheme
 - Setting Reading Goals Sample Question Paper Mechanical G Scheme
 - Carving Out Dedicated Reading Time
12. Sourcing Reliable Information of Sample Question Paper Mechanical G Scheme
 - Fact-Checking eBook Content of Sample Question Paper Mechanical G Scheme
 - Distinguishing Credible Sources
13. Promoting Lifelong Learning

- Utilizing eBooks for Skill Development
 - Exploring Educational eBooks
14. Embracing eBook Trends
- Integration of Multimedia Elements
 - Interactive and Gamified eBooks

Sample Question Paper Mechanical G Scheme Introduction

Free PDF Books and Manuals for Download: Unlocking Knowledge at Your Fingertips In today's fast-paced digital age, obtaining valuable knowledge has become easier than ever. Thanks to the internet, a vast array of books and manuals are now available for free download in PDF format. Whether you are a student, professional, or simply an avid reader, this treasure trove of downloadable resources offers a wealth of information, conveniently accessible anytime, anywhere. The advent of online libraries and platforms dedicated to sharing knowledge has revolutionized the way we consume information. No longer confined to physical libraries or bookstores, readers can now access an extensive collection of digital books and manuals with just a few clicks. These resources, available in PDF, Microsoft Word, and PowerPoint formats, cater to a wide range of interests, including literature, technology, science, history, and much more. One notable platform where you can explore and download free Sample Question Paper Mechanical G Scheme PDF books and manuals is the internet's largest free library. Hosted online, this catalog compiles a vast assortment of documents, making it a veritable goldmine of knowledge. With its easy-to-use website interface and customizable PDF generator, this platform offers a user-friendly experience, allowing individuals to effortlessly navigate and access the information they seek. The availability of free PDF books and manuals on this platform demonstrates its commitment to democratizing education and empowering individuals with the tools needed to succeed in their chosen fields. It allows anyone, regardless of their background or financial limitations, to expand their horizons and gain insights from experts in various disciplines. One of the most significant advantages of downloading PDF books and manuals lies in their portability. Unlike physical copies, digital books can be stored and carried on a single device, such as a tablet or smartphone, saving valuable space and weight. This convenience makes it possible for readers to have their entire library at their fingertips, whether they are commuting, traveling, or simply enjoying a lazy afternoon at home. Additionally, digital files are easily searchable, enabling readers to locate specific information within seconds. With a few keystrokes, users can search for keywords, topics, or phrases, making research and finding relevant information a breeze. This efficiency saves time and effort, streamlining the learning process and allowing individuals to focus on extracting the information they need. Furthermore, the availability of free PDF books and manuals fosters a culture of continuous learning. By removing financial barriers, more people can access educational resources and

pursue lifelong learning, contributing to personal growth and professional development. This democratization of knowledge promotes intellectual curiosity and empowers individuals to become lifelong learners, promoting progress and innovation in various fields. It is worth noting that while accessing free Sample Question Paper Mechanical G Scheme PDF books and manuals is convenient and cost-effective, it is vital to respect copyright laws and intellectual property rights. Platforms offering free downloads often operate within legal boundaries, ensuring that the materials they provide are either in the public domain or authorized for distribution. By adhering to copyright laws, users can enjoy the benefits of free access to knowledge while supporting the authors and publishers who make these resources available. In conclusion, the availability of Sample Question Paper Mechanical G Scheme free PDF books and manuals for download has revolutionized the way we access and consume knowledge. With just a few clicks, individuals can explore a vast collection of resources across different disciplines, all free of charge. This accessibility empowers individuals to become lifelong learners, contributing to personal growth, professional development, and the advancement of society as a whole. So why not unlock a world of knowledge today? Start exploring the vast sea of free PDF books and manuals waiting to be discovered right at your fingertips.

FAQs About Sample Question Paper Mechanical G Scheme Books

1. Where can I buy Sample Question Paper Mechanical G Scheme books? Bookstores: Physical bookstores like Barnes & Noble, Waterstones, and independent local stores. Online Retailers: Amazon, Book Depository, and various online bookstores offer a wide range of books in physical and digital formats.
2. What are the different book formats available? Hardcover: Sturdy and durable, usually more expensive. Paperback: Cheaper, lighter, and more portable than hardcovers. E-books: Digital books available for e-readers like Kindle or software like Apple Books, Kindle, and Google Play Books.
3. How do I choose a Sample Question Paper Mechanical G Scheme book to read? Genres: Consider the genre you enjoy (fiction, non-fiction, mystery, sci-fi, etc.). Recommendations: Ask friends, join book clubs, or explore online reviews and recommendations. Author: If you like a particular author, you might enjoy more of their work.
4. How do I take care of Sample Question Paper Mechanical G Scheme books? Storage: Keep them away from direct sunlight and in a dry environment. Handling: Avoid folding pages, use bookmarks, and handle them with clean hands. Cleaning: Gently dust the covers and pages occasionally.
5. Can I borrow books without buying them? Public Libraries: Local libraries offer a wide range of books for borrowing. Book Swaps: Community book exchanges or online platforms where people exchange books.

6. How can I track my reading progress or manage my book collection? Book Tracking Apps: Goodreads, LibraryThing, and Book Catalogue are popular apps for tracking your reading progress and managing book collections. Spreadsheets: You can create your own spreadsheet to track books read, ratings, and other details.
7. What are Sample Question Paper Mechanical G Scheme audiobooks, and where can I find them? Audiobooks: Audio recordings of books, perfect for listening while commuting or multitasking. Platforms: Audible, LibriVox, and Google Play Books offer a wide selection of audiobooks.
8. How do I support authors or the book industry? Buy Books: Purchase books from authors or independent bookstores. Reviews: Leave reviews on platforms like Goodreads or Amazon. Promotion: Share your favorite books on social media or recommend them to friends.
9. Are there book clubs or reading communities I can join? Local Clubs: Check for local book clubs in libraries or community centers. Online Communities: Platforms like Goodreads have virtual book clubs and discussion groups.
10. Can I read Sample Question Paper Mechanical G Scheme books for free? Public Domain Books: Many classic books are available for free as they're in the public domain. Free E-books: Some websites offer free e-books legally, like Project Gutenberg or Open Library.

Find Sample Question Paper Mechanical G Scheme :

[recipe book mod 18](#)

[recipe for apple pastries](#)

recipe for crab souffle

[recipe for a boneless turkey breast](#)

~~rebels at work a handbook for leading change from within~~

recipe blueberry muffin topping struesel cinnamon

recipe for all bran loaf

~~rebuilt manual transmissions~~

recipe allens italian green beans

[recipe beef brisket barbeque](#)

recipe certo lite nanking cherry jam

[recettes saleacutees sucreacutees au chacircteau de villersexel](#)

[recipe blue cheese pasta sauce](#)

rebel xsi instruction manual
recipe anaheim chili

Sample Question Paper Mechanical G Scheme :

maintenance technician jobs in petaluma ca zippia - Dec 05 2022

web 2 977 maintenance technician jobs in petaluma ca hiring now with salary from 31 000 to 59 000 hiring now apply for a maintenance technician jobs that are part time

mechanic diesel technician ryder system monster com - Jan 26 2022

web 401 k offers a company match high valued stock at 15 employee discount ppe uniforms and boot allowance provided ryder top technician recognition

277 maintenance technician jobs in petaluma ca glassdoor - Sep 14 2023

web search maintenance technician jobs in petaluma ca with company ratings salaries 277 open jobs for maintenance technician in petaluma

mechanical technician jobs in singapore nov 2023 jobstreet - May 30 2022

web we have 900 jobs for you select a job to view details find your ideal job at jobstreet with 889 mechanical technician jobs found in all singapore view all our mechanical

ryder system inc hiring mechanic diesel technician in - Feb 07 2023

web oct 3 2023 immediately hiring a permanent full time senior level diesel technician to support our truck fleet at ryder in petaluma california for more info call crystal or

diploma in engineering mechanical technology singapore - Feb 24 2022

web jul 17 2023 this diploma course in engineering mechanical technology will comply with the revised cet diploma framework the revised cet diploma framework

heineken n v mechanical maintenance technician job in - Aug 01 2022

web heineken n v mechanical maintenance technician job in petaluma ca glassdoor heineken 4 2 mechanical maintenance technician petaluma ca employer est

mechanic jobs employment in petaluma ca indeed com - Jul 12 2023

web 330 mechanic jobs available in petaluma ca on indeed com apply to automotive technician mechanic mechanic helper and more

automotive mechanics jobs in petaluma ca indeed - Apr 09 2023

web 79 automotive mechanics jobs available in petaluma ca on indeed com apply to automotive technician marine technician

entry level automotive technician and

[higher diploma in mechanical engineering auston](#) - Mar 28 2022

web career opportunities mechanical engineering assistant supervises and or coordinates the work activities of subordinates assists in the design and fabrication of mechanical

mechanic diesel technician job in petaluma ca careerbuilder - Nov 23 2021

web job posted 5 hours ago ryder system careers is hiring now for a full time mechanic diesel technician in petaluma ca apply today at careerbuilder mechanic diesel

[708 mechanic jobs in petaluma california united states 18 new](#) - Jun 11 2023

web today s top 708 mechanic jobs in petaluma california united states leverage your professional network and get hired new mechanic jobs added daily

automotive mechanic jobs in petaluma ca jooble - Oct 03 2022

web search and apply for the latest automotive mechanic jobs in petaluma ca verified employers competitive salary full time temporary and part time jobs job email alerts

ryder system inc mechanic diesel technician job in petaluma - Dec 25 2021

web rating position description immediately hiring a permanent full time senior level diesel technician to support our truck fleet at ryder in petaluma california for more info

tekwissen maintenance technician job in petaluma ca - Nov 04 2022

web tekwissen is now hiring a maintenance technician in petaluma ca view job listing details and apply now

[mechanic diesel technician job in petaluma ca careerbuilder](#) - Jan 06 2023

web job posted 5 hours ago ryder system is hiring now for a full time mechanic diesel technician in petaluma ca apply today at careerbuilder

264 mechanical technician jobs in petaluma ca glassdoor - Oct 15 2023

web search mechanical technician jobs in petaluma ca with company ratings salaries 264 open jobs for mechanical technician in petaluma

salary mechanical technician in singapore august 2023 - Apr 28 2022

web aug 8 2023 average 103 range 6 200 the average salary for mechanical technician is 2 268 per month in the singapore the average additional cash

[mechanical engineering technician jobs in petaluma ca jooble](#) - Aug 13 2023

web search and apply for the latest mechanical engineering technician jobs in petaluma ca verified employers competitive salary full time temporary and part time jobs job

mechanical technician petaluma - Sep 02 2022

web mechanical technician december 18 2019 pdf download helpful share facebook twitter email size reset a about the website accessibility feedback petaluma

mechanical repair jobs in petaluma ca indeed - Mar 08 2023

web 431 mechanical repair jobs available in petaluma ca on indeed com apply to automotive technician technician utility worker and more

electronics technician jobs in petaluma ca indeed - Jun 30 2022

web 224 electronics technician jobs available in petaluma ca on indeed com apply to mechanical technician service technician audio visual technician and more

394 mechanical jobs in petaluma ca august 2023 glassdoor - May 10 2023

web search mechanical jobs in petaluma ca with company ratings salaries 394 open jobs for mechanical in petaluma

essential swedish grammar dover language guides essential - Mar 29 2022

web designed for those with limited learning time this book is not a condensed outline of all aspects of swedish grammar rather it focuses on simple everyday communication

essentials swedish grammar abebooks - Apr 29 2022

web essential swedish grammar dover language guides essential grammar by granberry julian and a great selection of related books art and collectibles available

essential swedish grammar books abebooks - Oct 04 2022

web essential swedish grammar dover language guides essential grammar by granberry julian and a great selection of related books art and collectibles available

0486269531 essential swedish grammar dover books on - Feb 25 2022

web essential swedish grammar dover books on language dover language guides essential grammar paperback 1992 isbn 9780486269535 dover publications inc

essential swedish grammar dover books - May 11 2023

web dover books from the dover bookshop royalty free image source books and vintage original and historic visual content from the pictorial archive essential swedish

essential swedish grammar dover language guides essential - Jan 27 2022

web delayed thank you for your patience dover language guides essential grammar series pages 160 sales rank 641 451 product dimensions 5 50 w x 8 50 h x d read an excerpt

essential swedish grammar dover language guides essential - Apr 10 2023

web essential swedish grammar dover language guides essential grammar author granberry julian july 1992 on amazon com free shipping on qualifying offers

editions of essential swedish grammar by julian granberry - Aug 14 2023

web editions for essential swedish grammar 0486269531 paperback published in 1992 kindle edition published in 2012 my books browse

essential swedish grammar dover books book by julian - Jun 12 2023

web the essential swedish grammar book is quite a compact and useful book contains the essential grammars that we need to know for the swedish language good to have one

essential grammar series language books dover publications - Oct 16 2023

web these essential guides offer clear explanations of all aspects of grammar no trivia or archaic material includes items per page 24 36 48 72 view all items per page 24 36 48

essential swedish grammar julian granberry google books - Jul 01 2022

web designed for those with limited learning time this book is not a condensed outline of all aspects of swedish grammar rather it focuses on simple everyday communication

essential swedish grammar dover language guides essential - May 31 2022

web a selection of useful expressions and a glossary of grammatical terms round out this excellent inexpensive guide perfect for self study or as an adjunct to a language

essential swedish grammar dover language guides essential - Sep 03 2022

web jun 14 2012 essential swedish grammar dover language guides essential grammar kindle edition by granberry julian download it once and read it on your

essential swedish grammar dover language guides essential - Mar 09 2023

web essential swedish grammar dover language guides essential grammar ebook granberry julian amazon com au kindle store

essential swedish grammar dover language guides - Sep 15 2023

web jan 14 1992 dover publications essential grammar series covers the most important points of grammar in the clearest possible way concentrating on the expressions that

essentials of swedish grammar abebooks - Feb 08 2023

web essential swedish grammar dover books on language by julian granberry and a great selection of related books art and collectibles available now at abebooks co uk

essential swedish grammar by granberry julian abebooks - Aug 02 2022

web essential swedish grammar dover language guides essential grammar by granberry julian and a great selection of related books art and collectibles available

[9780486269535 essential swedish grammar dover language](#) - Dec 06 2022

web this logical developmental presentation of the major aspects of swedish grammar includes all the necessary tools for speech and comprehension designed for adults with

essential swedish grammar dover language guides essential - Jul 13 2023

web a selection of useful expressions and a glossary of grammatical terms round out this excellent inexpensive guide perfect for self study or as an adjunct to a language

essential swedish grammar by julian granberry goodreads - Nov 05 2022

web jan 14 1992 3 83 41 ratings6 reviews designed for those with limited learning time this book is not a condensed outline of all aspects of swedish grammar rather it focuses

essentials of swedish grammar a practical guide to the mastery - Jan 07 2023

web jan 1 1993 amazon com essentials of swedish grammar a practical guide to the mastery of swedish 9780844285399 ake viberg kerstin ballardini sune stjarnlof

examinations - Feb 06 2023

web do 3 z 93 o cd o o m z ö 00 ooz m o g c r o x zoo o n z ox zoomo co s cd o o o d o o o 0 o o o z co o o o o o oo z d o o m o o o o o

grade 12 matric final exam timetable 2023 pdf download aucfinder za - Sep 13 2023

web sep 5 2022 0 the grade 12 matric final exam timetable for the year 2023 has been released by the department of education the timetable is available in pdf format and can be downloaded from the link below the timetable contains the date time and venue for the examination

matric final exam time table 2019 career times - Jun 29 2022

web matric final exam time table 2019 dates monday 2 september time 9 00 wednesday 16 october time 9 00 thursday 17 october time 9 00 12 august to 11 october time 9 00 7 october to 18 october time 9 00 week 1 of grade 12 final exams 2019 wednesday 23 october time 9 00 time 14 00 thursday 24 october time 9 00 time 14 00 friday 25

the matric exam timetable has been released matric college - Mar 07 2023

web dec 12 2022 here are the matric exam timetables for the nsc and ieb october november 2022 exams national senior certificate nsc matric exam timetable independent examinations board ieb matric exam timetable is there a difference between the nsc and ieb exam yes there is a difference between the nsc and ieb

matric final exam time table 2020 iol - Oct 02 2022

web nov 7 2020 cape town basic education minister angie motshekga has decided to administer the may june 2020 examination concurrently with the october november 2020 examination for grade 12 pupils the

2023 final matric exam timetable searche - Feb 23 2022

web oct 3 2023 the 2023 final matric exam timetable provides the schedule for the national matric exams conducted across south africa the exam dates are subject to change and students must stay updated with official announcements from the department of basic education and their respective schools

matric final exam time table 2021 amended head topics - Dec 04 2022

web sep 15 2021 the matrics final exam timetable is out the 2021 national senior certificate examinations are scheduled to start on november 1 and end on december 7 matric exam timetable nsce exams education classof2021 2021 matric exams exams to start on 27 october

2023 grade 12 matric final exam timetable studentspaza co za - Jun 10 2023

web jul 24 2023 student life here is the 2023 grade 12 matric final exam timetable as we draw closer to the final exams which will be kicking off in october the education department has officially released the final exam timetable indicating when learners will write their national senior certificate nsc exams or their senior certificate sc exams

nsc examinations national department of basic education - Aug 12 2023

web the national senior certificate nsc examinations commonly referred to as matric has become an annual event of major public significance it not only signifies the culmination of twelve years of formal schooling but the nsc examinations is a barometer of the health of the education system the first national examination under the newly

matric final exam timetable released careers portal - Jan 05 2023

web may 12 2022 the national senior certificate nsc october november 2022 exams will kick off with a selected few languages on 31 october 2022 with the final day of the exams being on 18 november 2022 the examinations will run for three weeks in exams centres across the country ie public schools independent centres designated and part time

matric 2014 final exam time table za - Jul 11 2023

web title matric 2014 final exam time table za author virtualevents straumann com 2023 09 13 07 06 51 subject matric 2014 final exam time table za

matric 2023 timetable 24 7 careers - Jan 25 2022

web sep 12 2023 learners participating in the final examinations have just over 100 days left to prepare for their first exam for their national senior certificate the final matric examination period is set to commence on monday 30 october 2023 and will conclude during the first week of december 2023

matric 2014 final exam time table za test thelyst - Mar 27 2022

web matric 2014 final exam time table za is comprehensible in our digital library an online permission to it is set as public correspondingly you can download it instantly our digital library saves in merged countries allowing you to get the most less latency time to download any of our books with this one

national senior certificate nsc october november examinations - Sep 01 2022

web national senior certificate nsc october november examinations timetable 2022 week 1 09 00 14 00 14 00 monday 31 10 english hl p1 2hrs english fal p1 2hrs english sal p1 2hrs hindi gujarati tamil telegu urdu hl p1 2hrs hindi gujarati tamil telegu urdu fal p1 2hrs hindi gujarati tamil telegu

matric 2014 final exam time table za wef tamu - May 29 2022

web right here we have countless ebook matric 2014 final exam time table za and collections to check out we additionally have the funds for variant types and next type of the books to browse the agreeable book fiction history novel scientific research as with ease as various additional sorts of books are readily within reach here as this

matric 2014 final exam time table za pdf uniport edu - Apr 27 2022

web apr 10 2023 matric 2014 final exam time table za webmatric 2014 final exam time table za author christoph hochheim from 3d sentry lon01 tradenet it subject matric 2014 final exam time table za keywords time 2014 table exam za matric final created date 3 23 2023 7 37 50 am matric 2014 exam timetable south africa

matric 2014 final exam time table za pdf blueskywildlife - May 09 2023

web aug 28 2023 you may not be perplexed to enjoy every ebook collections matric 2014 final exam time table za pdf that we will definitely offer it is not nearly the costs its just about what you habit currently this matric 2014 final exam time table za pdf as one of the most full of life sellers here will totally be in the course of the best options to

[the final countdown matric exams approaching the south african](#) - Nov 03 2022

web oct 9 2023 the department of education released the dates for the 2023 matric exams the exams are set to start on monday 30 october 2023 and end on wednesday 6 december 2023 according to the western

department of education releases final matric exam timetable - Apr 08 2023

web jul 19 2023 mid year matric exams have come and gone meaning the next area of focus will be on the final end of year examinations the department of basic education has released the timetable for the upcoming matric exam season

matric 2014 final exam time table za - Jul 31 2022

web matric 2014 final exam time table za author whichissed visionaustralia org 2023 09 06 09 56 59 subject matric 2014 final exam time table za keywords matric 2014 final exam time table za created date 9 6 2023 9 56 59 am