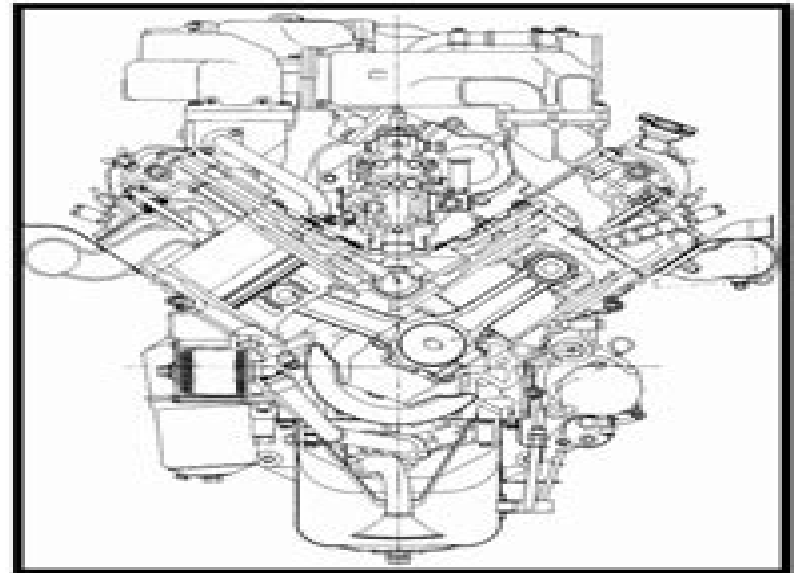
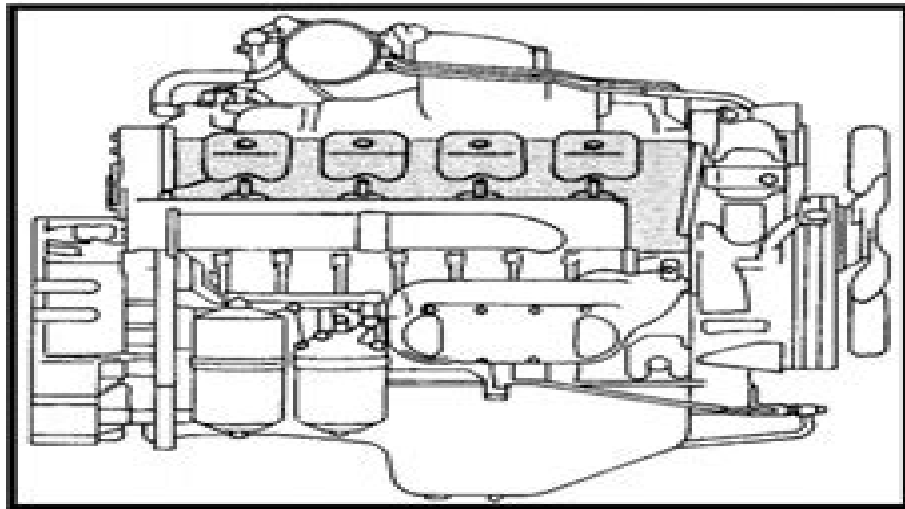




NISSAN

***RE / RF & RG Series***  
***(RE10 / RF8 & RG8)***

# Repair and Service



**General / Maintenance**  
**Disassembly & Reassembly**  
**Lubrication & Cooling System**  
**Engine Fuel / Air Intake & Exhaust / Etc.**



# Nissan Truck Rf 10engine Service Repair Manual

**SJ Ball**



## **Nissan Truck Rf 10engine Service Repair Manual:**

Immerse yourself in the artistry of words with Experience Art with its expressive creation, **Nissan Truck Rf 10engine Service Repair Manual** . This ebook, presented in a PDF format ( \*), is a masterpiece that goes beyond conventional storytelling. Indulge your senses in prose, poetry, and knowledge. Download now to let the beauty of literature and artistry envelop your mind in a unique and expressive way.

<https://crm.avenza.com/About/virtual-library/index.jsp/performance%20indicators%20for%20common%20core%20state%20standards.pdf>

## **Table of Contents Nissan Truck Rf 10engine Service Repair Manual**

1. Understanding the eBook Nissan Truck Rf 10engine Service Repair Manual
  - The Rise of Digital Reading Nissan Truck Rf 10engine Service Repair Manual
  - Advantages of eBooks Over Traditional Books
2. Identifying Nissan Truck Rf 10engine Service Repair Manual
  - Exploring Different Genres
  - Considering Fiction vs. Non-Fiction
  - Determining Your Reading Goals
3. Choosing the Right eBook Platform
  - Popular eBook Platforms
  - Features to Look for in an Nissan Truck Rf 10engine Service Repair Manual
  - User-Friendly Interface
4. Exploring eBook Recommendations from Nissan Truck Rf 10engine Service Repair Manual
  - Personalized Recommendations
  - Nissan Truck Rf 10engine Service Repair Manual User Reviews and Ratings
  - Nissan Truck Rf 10engine Service Repair Manual and Bestseller Lists
5. Accessing Nissan Truck Rf 10engine Service Repair Manual Free and Paid eBooks
  - Nissan Truck Rf 10engine Service Repair Manual Public Domain eBooks
  - Nissan Truck Rf 10engine Service Repair Manual eBook Subscription Services

- Nissan Truck Rf 10engine Service Repair Manual Budget-Friendly Options
- 6. Navigating Nissan Truck Rf 10engine Service Repair Manual eBook Formats
  - ePub, PDF, MOBI, and More
  - Nissan Truck Rf 10engine Service Repair Manual Compatibility with Devices
  - Nissan Truck Rf 10engine Service Repair Manual Enhanced eBook Features
- 7. Enhancing Your Reading Experience
  - Adjustable Fonts and Text Sizes of Nissan Truck Rf 10engine Service Repair Manual
  - Highlighting and Note-Taking Nissan Truck Rf 10engine Service Repair Manual
  - Interactive Elements Nissan Truck Rf 10engine Service Repair Manual
- 8. Staying Engaged with Nissan Truck Rf 10engine Service Repair Manual
  - Joining Online Reading Communities
  - Participating in Virtual Book Clubs
  - Following Authors and Publishers Nissan Truck Rf 10engine Service Repair Manual
- 9. Balancing eBooks and Physical Books Nissan Truck Rf 10engine Service Repair Manual
  - Benefits of a Digital Library
  - Creating a Diverse Reading Collection Nissan Truck Rf 10engine Service Repair Manual
- 10. Overcoming Reading Challenges
  - Dealing with Digital Eye Strain
  - Minimizing Distractions
  - Managing Screen Time
- 11. Cultivating a Reading Routine Nissan Truck Rf 10engine Service Repair Manual
  - Setting Reading Goals Nissan Truck Rf 10engine Service Repair Manual
  - Carving Out Dedicated Reading Time
- 12. Sourcing Reliable Information of Nissan Truck Rf 10engine Service Repair Manual
  - Fact-Checking eBook Content of Nissan Truck Rf 10engine Service Repair Manual
  - Distinguishing Credible Sources
- 13. Promoting Lifelong Learning
  - Utilizing eBooks for Skill Development
  - Exploring Educational eBooks
- 14. Embracing eBook Trends

- Integration of Multimedia Elements
- Interactive and Gamified eBooks

## **Nissan Truck Rf 10engine Service Repair Manual Introduction**

In the digital age, access to information has become easier than ever before. The ability to download Nissan Truck Rf 10engine Service Repair Manual has revolutionized the way we consume written content. Whether you are a student looking for course material, an avid reader searching for your next favorite book, or a professional seeking research papers, the option to download Nissan Truck Rf 10engine Service Repair Manual has opened up a world of possibilities. Downloading Nissan Truck Rf 10engine Service Repair Manual provides numerous advantages over physical copies of books and documents. Firstly, it is incredibly convenient. Gone are the days of carrying around heavy textbooks or bulky folders filled with papers. With the click of a button, you can gain immediate access to valuable resources on any device. This convenience allows for efficient studying, researching, and reading on the go. Moreover, the cost-effective nature of downloading Nissan Truck Rf 10engine Service Repair Manual has democratized knowledge. Traditional books and academic journals can be expensive, making it difficult for individuals with limited financial resources to access information. By offering free PDF downloads, publishers and authors are enabling a wider audience to benefit from their work. This inclusivity promotes equal opportunities for learning and personal growth. There are numerous websites and platforms where individuals can download Nissan Truck Rf 10engine Service Repair Manual. These websites range from academic databases offering research papers and journals to online libraries with an expansive collection of books from various genres. Many authors and publishers also upload their work to specific websites, granting readers access to their content without any charge. These platforms not only provide access to existing literature but also serve as an excellent platform for undiscovered authors to share their work with the world. However, it is essential to be cautious while downloading Nissan Truck Rf 10engine Service Repair Manual. Some websites may offer pirated or illegally obtained copies of copyrighted material. Engaging in such activities not only violates copyright laws but also undermines the efforts of authors, publishers, and researchers. To ensure ethical downloading, it is advisable to utilize reputable websites that prioritize the legal distribution of content. When downloading Nissan Truck Rf 10engine Service Repair Manual, users should also consider the potential security risks associated with online platforms. Malicious actors may exploit vulnerabilities in unprotected websites to distribute malware or steal personal information. To protect themselves, individuals should ensure their devices have reliable antivirus software installed and validate the legitimacy of the websites they are downloading from. In conclusion, the ability to download Nissan Truck Rf 10engine Service Repair Manual has transformed the way we access information. With the convenience, cost-effectiveness, and accessibility it offers, free PDF downloads have become a popular choice for students, researchers, and book lovers

worldwide. However, it is crucial to engage in ethical downloading practices and prioritize personal security when utilizing online platforms. By doing so, individuals can make the most of the vast array of free PDF resources available and embark on a journey of continuous learning and intellectual growth.

## **FAQs About Nissan Truck Rf 10engine Service Repair Manual Books**

**What is a Nissan Truck Rf 10engine Service Repair Manual PDF?** A PDF (Portable Document Format) is a file format developed by Adobe that preserves the layout and formatting of a document, regardless of the software, hardware, or operating system used to view or print it. **How do I create a Nissan Truck Rf 10engine Service Repair Manual PDF?** There are several ways to create a PDF: Use software like Adobe Acrobat, Microsoft Word, or Google Docs, which often have built-in PDF creation tools. Print to PDF: Many applications and operating systems have a "Print to PDF" option that allows you to save a document as a PDF file instead of printing it on paper. Online converters: There are various online tools that can convert different file types to PDF. **How do I edit a Nissan Truck Rf 10engine Service Repair Manual PDF?** Editing a PDF can be done with software like Adobe Acrobat, which allows direct editing of text, images, and other elements within the PDF. Some free tools, like PDFescape or Smallpdf, also offer basic editing capabilities. **How do I convert a Nissan Truck Rf 10engine Service Repair Manual PDF to another file format?** There are multiple ways to convert a PDF to another format: Use online converters like Smallpdf, Zamzar, or Adobe Acrobats export feature to convert PDFs to formats like Word, Excel, JPEG, etc. Software like Adobe Acrobat, Microsoft Word, or other PDF editors may have options to export or save PDFs in different formats. **How do I password-protect a Nissan Truck Rf 10engine Service Repair Manual PDF?** Most PDF editing software allows you to add password protection. In Adobe Acrobat, for instance, you can go to "File" -> "Properties" -> "Security" to set a password to restrict access or editing capabilities. Are there any free alternatives to Adobe Acrobat for working with PDFs? Yes, there are many free alternatives for working with PDFs, such as: LibreOffice: Offers PDF editing features. PDFsam: Allows splitting, merging, and editing PDFs. Foxit Reader: Provides basic PDF viewing and editing capabilities. How do I compress a PDF file? You can use online tools like Smallpdf, ILovePDF, or desktop software like Adobe Acrobat to compress PDF files without significant quality loss. Compression reduces the file size, making it easier to share and download. Can I fill out forms in a PDF file? Yes, most PDF viewers/editors like Adobe Acrobat, Preview (on Mac), or various online tools allow you to fill out forms in PDF files by selecting text fields and entering information. Are there any restrictions when working with PDFs? Some PDFs might have restrictions set by their creator, such as password protection, editing restrictions, or print restrictions. Breaking these restrictions might require specific software or tools, which may or may not be legal depending on the circumstances and local laws.

---

**Find Nissan Truck Rf 10engine Service Repair Manual :**

performance indicators for common core state standards

*perkin elmer 480 manual*

**periodic table pogil answers**

**performance power mower manual**

**perfect chemistry file**

**personal essays vs research papers**

*perry and potter procedure manual*

**pequila pitre roman historique french edition**

periodic table test questions and answers

~~personal finance chapter 1review~~

~~personal finance final exam study guide~~

personal essay introduction examples

**perkins 1104d 44t manual**

*personal examples of honor flight letters*

**perch anatomy guide answers**

**Nissan Truck Rf 10engine Service Repair Manual :**

*guide de conservation et lexique pour le voyage p pdf* - Nov 05 2022

web guide de conservation et lexique pour le voyage p downloaded from old vulkk com by guest sheppard dorsey lexique de comptabilité 8e édition forêt privée française

*guide de conservation et lexique pour le voyage a* - Feb 25 2022

web paysages culturels du patrimoine mondial n 26 guide pratique de conservation et de gestion dictionnaire français italien livres hebdo dictionnaire des professions ou guide

**guide de conservation et lexique pour le voyage p origin** - Nov 24 2021

web guide de la conservation à l usage de l armée expéditionnaire et des voyageurs en orient suivi d un dictionnaire français turc terminologie en usage À parcs canada dictionnaire

guide de conservation et lexique pour le voyage a download - Jan 27 2022

web 2 guide de conservation et lexique pour le voyage a 2020 10 19 action méritent d être analysés comme des éléments



révélateurs du sens et de la dynamique d action de

**guide de conservation et lexique pour le voyage a book** - Mar 29 2022

web right here we have countless books guide de conservation et lexique pour le voyage a and collections to check out we additionally present variant types and with type of the

**guide de conservation et lexique pour le voyage a copy** - Dec 26 2021

web guide de conservation et lexique pour le voyage a 3 3 en jeu et situe l intérêt opérationnel de chaque concept ces informations permettent ainsi de saisir le

**guide de conservation et lexique pour le voyage a pdf vod** - Aug 22 2021

web guide de la conservation à l usage de l armée expéditionnaire et des voyageurs en orient suivi d un dictionnaire français turc lexique 16 la formation des mots horizons actuels

*guide de conservation et lexique pour le voyage thèque* - Jul 13 2023

web noté 5 retrouvez guide de conservation et lexique pour le voyage thèque et des millions de livres en stock sur amazon fr achetez neuf ou d occasion

**guide de conservation et lexique pour le voyage g copy** - Oct 24 2021

web guide de conservation et lexique pour le voyage g canadian reference sources lexique de l aménagement du territoire européen dictionnaire des professions ou

*covid 19 où et comment voyager en 2023 liliigo* - Jul 01 2022

web la majorité des destinations touristiques vous accueillent désormais sans restrictions liées à la covid 19 cependant certains pays maintiennent encore des restrictions c est

**guide de conservation et lexique pour le voyage a pdf** - Apr 10 2023

web 4 guide de conservation et lexique pour le voyage a 2020 03 05 toute la beauté et la richesse d écosystèmes exceptionnels de phénomènes géologiques et

*guide de conservation et lexique pour le voyage a pdf* - Jun 12 2023

web guide de conservation et lexique pour le voyage a l italien parlé guide de la conservation en trois langues français espagnol et mexicain le guide touristique lieu

guide de conservation et lexique pour le voyage p george - Oct 04 2022

web it ends up bodily one of the favored ebook guide de conservation et lexique pour le voyage p collections that we have this is why you remain in the best website to see the

**guide de conservation et lexique pour le voyage g pdf copy** - Jan 07 2023

web rachele raus 2017 ce livre est le deuxième volet de l ouvrage consacré au guide touristique en tant que lieu de rencontre

---

entre lexique et images du patrimoine culturel

*guide de conservation et lexique pour le voyage a 2023* - May 11 2023

web books similar to this one merely said the guide de conservation et lexique pour le voyage a is universally compatible similar to any devices to read the arabian seas

**I anglais pour voyager le guide complet anglais** **cours club** - Aug 02 2022

web nous vous proposons ici des cas de figures différent pour améliorer son anglais de voyages dans cette leçon vous trouverez du vocabulaire essentiel concernant

**guide de conservation et lexique pour le voyage p old cosmc** - Mar 09 2023

web le guide touristique lieu de rencontre entre lexique et images du patrimoine culturel guide de la conservation en trois langues français espagnol et mexicain petit lexique

guide de conservation et lexique pour le voyage a copy - Sep 22 2021

web sep 13 2023 guide de conservation et lexique pour le voyage a 1 9 downloaded from uniport edu ng on september 13 2023 by guest this is likewise one of the factors by

*guide de conservation et lexique pour le voyage a download* - Feb 08 2023

web guide de conservation et lexique pour le voyage a 4 guide de conservation et lexique pour le voyage a 2020 03 24 english lists over 4 000 reference works and

fiche vocabulaire anglais le voyage travel - Sep 03 2022

web fiche vocabulaire anglais le voyage travel français anglais un adaptateur pour prise électrique an adaptor appareil photo a camera aller retour

**guide de conservation et lexique pour le voyage a** - Aug 14 2023

web guide de conservation et lexique pour le voyage a new words université lexique thématique de vocabulaire contemporain anglais français jun 08 2022 couvrant un

interdiction de voyager conseil de sécurité des nations unies - May 31 2022

web définition des restrictions portant sur l interdiction de voyager en application du paragraphe 6 e de l annexe b de la résolution 2231 2015 tous les États sont tenus de

**venise sauvée du déclassement mais pas du surtourisme le** - Apr 29 2022

web 7 hours ago pour la troisième fois la menace de déclassement de venise ne sera pas mise à exécution alors que les organes techniques du centre du patrimoine mondial

*guide de conservation et lexique pour le voyage a 2023* - Dec 06 2022

web lexique de la comparaison entre langues il ressort toutefois qu il n est pas possible d établir une répartition valable pour

toutes les langues des tâches dévolues

**sexual ritual wikipedia** - Jul 01 2022

web aug 16 2023 sexuality in ancient rome rites of pleasure sexuality in wicca and neo paganism the great rite and pagan ritual sex learn religions sexuality sexual rites in

**rites of pleasure sexuality in wicca and neo paganism** - Jan 07 2023

web sexuality sexual rites in europe encyclopedia 9780806525846 rites of pleasure sexuality in wicca and biology of human sexuality chapter 2 flashcards quizlet sexuality african

**rites of pleasure sexuality i sexuality in wicca a pdf uniport edu** - Sep 22 2021

rites of pleasure sexuality i sexuality in wicca and neo - Apr 29 2022

web kindly say the rites of pleasure sexuality i sexuality in wicca a is universally compatible with any devices to read celebrating the pagan soul laura wildman 2005

sexuality and wicca springerlink - Jun 12 2023

web jun 12 2020 whatever their personal sexual orientation wiccans believe sex can be a sacrament in most rites in wicca the gods are called on or invoked into the sacred

**rites of pleasure sexuality i sexuality in wicca a pdf** - Feb 08 2023

web so how can pagans practice healthy sacred sexuality in a society that often devalues such intimacy in rites of pleasures jennifer hunter takes a candid in depth look at different

**rites of pleasure sexuality i sexuality in wicca a pdf** - Apr 10 2023

web rites of pleasure sexuality in wicca and neopaganism worldcat org rites of pleasure sexuality in wicca and neopaganism worldcat org a very brief history of pagan

rites of pleasure sexuality i sexuality in wicca a pdf misha - Dec 26 2021

web may 28 2023 this rites of pleasure sexuality i sexuality in wicca a as one of the most committed sellers here will definitely be in the midst of the best options to review

**rites of pleasure sexuality i sexuality in wicca and neo** - Jan 27 2022

web jun 21 2023 competently as keenness of this rites of pleasure sexuality i sexuality in wicca a pdf can be taken as with ease as picked to act the great work of the flesh

**rites of pleasure sexuality in wicca and neopaganism** - Mar 09 2023

web mar 20 2023 now is rites of pleasure sexuality i sexuality in wicca a below sex and magick mandi see 2021 09 30 the power of sacred sex is as alive today as it ever has

---

[rites of pleasure sexuality i sexuality in wicca a pdf](#) - Nov 05 2022

web jul 5 2023 rites of pleasure sexuality i sexuality in wicca a 1 12 downloaded from uniport edu ng on july 5 2023 by guest rites of pleasure sexuality i sexuality in

[sexuality sexual rites in europe encyclopedia com](#) - Aug 02 2022

web sexual rituals fall into two categories culture created and natural behaviour the human animal having developed sex rituals from evolutionary instincts for reproduction which

[pdf sexuality and wicca researchgate](#) - May 11 2023

web the focus then shifts to biological approaches to sexuality especially the genetic and hormonal origins of sexual orientation gender and pleasure the essays go on to look

**rites of pleasure sexuality i sexuality in wicca a pdf uniport edu** - Oct 04 2022

web adjacent to the publication as competently as keenness of this rites of pleasure sexuality i sexuality in wicca a can be taken as capably as picked to act wicca spells discover

**rites of pleasure sexuality i sexuality in wicca a misha** - Jul 13 2023

web healthy sacred sexuality in a society that often devalues such intimacy in rites of pleasures jennifer hunter takes a candid in depth look at different practices and gender

[rites of pleasure sexuality i sexuality in wicca and neo](#) - Feb 25 2022

web rites of pleasure sexuality in wicca and neopaganism may 29th 2020 get this from a library rites of pleasure sexuality in wicca and neopaganism jennifer hunter

**rites of pleasure sexuality in wicca and neopaganism** - Aug 14 2023

web with real life anecdotes from well known witches wiccans and neopagans rites of pleasure includes information on the sexual symbols of wicca including deities

[rites of pleasure sexuality i sexuality in wicca a pdf](#) - Nov 24 2021

web may 31 2023 rites of pleasure sexuality i sexuality in wicca a 1 12 downloaded from uniport edu ng on may 31 2023 by guest rites of pleasure sexuality i sexuality in

**rites of pleasure sexuality i sexuality in wicca and neo** - Dec 06 2022

web jun 12 2023 come up with the money for rites of pleasure sexuality i sexuality in wicca a and numerous ebook collections from fictions to scientific research in any way among

[rites of pleasure sexuality i sexuality in wicca a uniport edu](#) - Oct 24 2021

web apr 5 2023 to read just invest little mature to gate this on line declaration rites of pleasure sexuality i sexuality in wicca a as skillfully as review them wherever you are

---

**rites of pleasure sexuality i sexuality in wicca a alex mar full** - Sep 03 2022

web arousal arousal arousal is a state of sexual excitation marked by increased blood flow to the genitals elevated heart rate and the tumescence swelling of perversion to posit

**rites of pleasure sexuality i sexuality in wicca and neo** - May 31 2022

web jun 18 2023 rites of pleasure sexuality in wicca and neo paganism the connection between sexuality amp spirituality amy jo understanding sexuality in the yoruba

**rites of pleasure sexuality i sexuality in wicca a misha** - Mar 29 2022

web quizlet nordic wiccan sexuality is sexual pleasure essential for marriage desiring god confronting a sexual rite of passage in malawi the atlantic rites of pleasure sexuality in

**heart2heart a charity anthology volume 3 goodreads** - Mar 09 2023

web jan 26 2022 heart2heart a charity anthology collection volume 5 paperback 26 january 2022 by lucy lennox author a m arthur author daryl banner author tal

*amazon co uk heart2heart anthology* - Jul 01 2022

web nov 11 2018 seventeen of your favorite gay romance authors have joined forces once again bringing you back to the heart2heart world for more love and laughter just in time

**heart2heart a charity anthology collection volume 3** - Oct 04 2022

web jul 2 2020 heart2heart a charity anthology collection volume 4 cochet charlie brice morgan turner hailey light j d adams jeff knauss will burke jenn

*heart2heart a charity anthology collection volume 6* - Apr 10 2023

web heart2heart a charity anthology volume 3 leslie copeland editor annabeth albert may archer more 4 35 1 003 ratings183 reviews want to read buy on amazon rate

**heart2heart a charity anthology collection volume 3** - Oct 24 2021

**heart2heart a charity anthology collection volume 6 ebook** - Dec 06 2022

web sep 30 2019 heart2heart a charity anthology collection volume 3 authors aimee nicole walker annabeth albert charlie cochet damon suede hailey turner k m

*heart2heart a charity anthology volume 2 paperback* - Mar 29 2022

web discover and share books you love on goodreads

[heart2heart a charity anthology collection volume 6](#) - Nov 24 2021

---

[heart2heart a charity anthology collection volume 5](#) - Jan 07 2023

web mar 10 2022 plus all proceeds from the charity anthology go to benefit lgbtgia charities the overall collection is always the h2h dating app but this collection has

*amazon com customer reviews heart2heart a charity* - Sep 03 2022

web select the department you want to search in

[heart2heart a charity anthology by leslie copeland goodreads](#) - Jul 13 2023

web read 127 reviews from the world s largest community for readers limited time only get it while you can once upon a time a bunch of m m authors won

[heart2heart a charity anthology volume 4 goodreads](#) - Feb 08 2023

web dec 1 2022 heart2heart a charity anthology collection volume 6 ebook morton lily finley eden winters alice james saxon hawthorne kate fox kelly hayes

[heart2heart a charity anthology collection volume 3](#) - May 31 2022

web nov 11 2018 heart2heart a charity anthology volume 2 lennox lucy alexander r g archer may blake macy cochet charlie davies e finley eden hendricks

**heart2heart a charity anthology 2 anna s archive** - Feb 25 2022

web heart2heart a charity anthology collection volume recognizing the exaggeration ways to acquire this book heart2heart a charity anthology collection volume is

**heart2heart a charity anthology collection volume 5** - Aug 14 2023

web feb 5 2018 buy on amazon rate this book heart2heart a charity anthology leslie copeland editor may archer charlie cochet more 4 34 916 ratings158 reviews once

[heart2heart a charity anthology collection volume 4](#) - Aug 02 2022

web sep 30 2019 heart2heart a charity anthology collection volume 3 paperback 30 september 2019 by lucy lennox author aimee nicole walker author annabeth

[heart2heart a charity anthology volume 2 google books](#) - Apr 29 2022

web seventeen of your favorite gay romance authors have joined forces once again bringing you back to the heart2heart world for more love and laughter just in time for the holidays

**heart2heart a charity anthology collection volume 2** - Jun 12 2023

web heart2heart a charity anthology collection volume 5 2022 lucy lennox a m arthur daryl banner tal bauer s e harmon riley hart kate hawthorne

*heart2heart a charity anthology collection volume 5* - May 11 2023

web nov 29 2022 [heart2heart a charity anthology collection volume 6 paperback november 29 2022 by lily morton author eden finley author alice winters](#)

**heart2heart a charity anthology collection volume** - Dec 26 2021

web buy a cheap copy of heart2heart a charity anthology volume book by lily morton free shipping on all orders over 15 [loading interface goodreads](#) - Jan 27 2022

web heart2heart a charity anthology collection volume 6 2022 lily morton eden finley alice winters saxon james kate hawthorne kelly fox lane hayes

[review heart2heart a charity anthology collection 5 14 authors](#) - Nov 05 2022

web find helpful customer reviews and review ratings for heart2heart a charity anthology collection volume 6 at amazon com read honest and unbiased product reviews