

## 2206D Engines

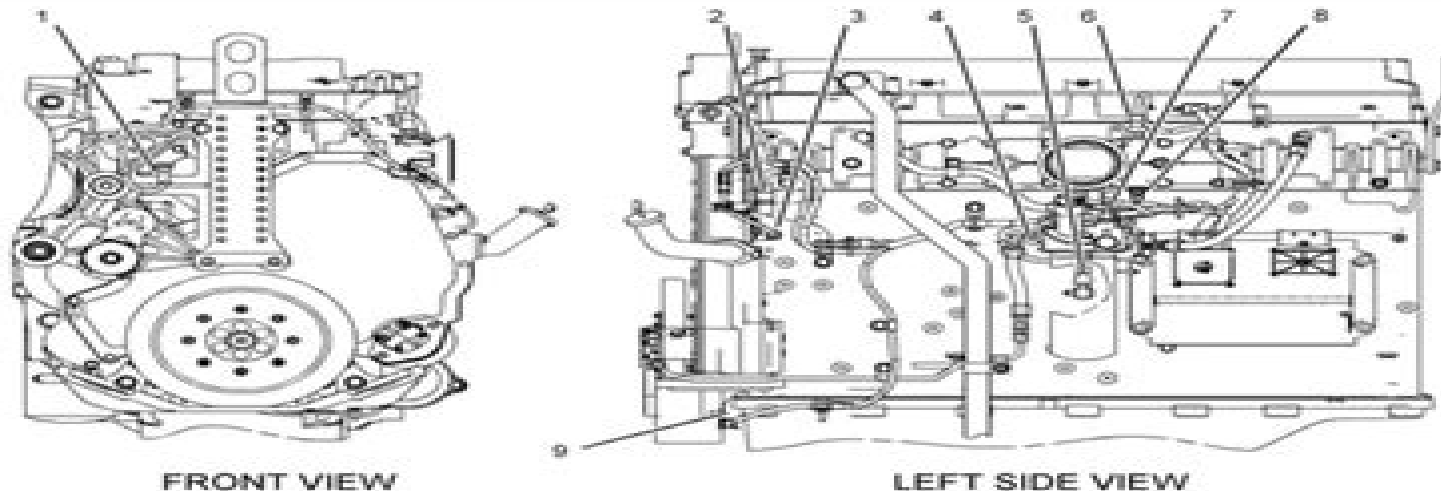


Illustration 5

g0109045

### Locations of the sensors on 2206D engines

- |  |                                |  |
|--|--------------------------------|--|
| (1) Engine coolant temperature sensor    | (4) Fuel pressure sensor       | (7) Fuel temperature sensor                |
| (2) Atmospheric pressure sensor          | (5) Engine oil pressure sensor | (8) Intake manifold air temperature sensor |
| (3) Secondary engine speed/timing sensor | (6) Boost pressure sensor      | (9) Primary engine speed/timing sensor     |

i02957563

## Diagnostic Capabilities

### Diagnostic Codes

The engines Electronic Control Module (ECM) can monitor the circuitry between the ECM and the engines components. The ECM can also monitor the engines operating conditions. If the ECM detects a problem, a code is generated.

There are two categories of codes:

- Diagnostic code
- Event code

**Diagnostic Code** – A diagnostic code indicates an electrical problem such as a short circuit or an open circuit in the engines wiring or in an electrical component.

**Event Code** – An event code is generated by the detection of an abnormal engine operating condition. For example, an event code will be generated if the oil pressure is too low. In this case, the event code indicates the symptom of a problem. Generally, event codes indicate abnormal operating conditions or mechanical problems rather than electrical problems.

Codes can have two different states:

- Active
- Logged

### Active Codes

An active code indicates that a problem is present. Service the active code first. For the appropriate troubleshooting procedure for a particular code, refer to the appropriate troubleshooting procedure.

# Perkins 2200 Workshop Manual

**Tao Wei**



## **Perkins 2200 Workshop Manual:**

**U.S. Forest Service Land Management** United States. Congress. House. Committee on Agriculture. Subcommittee on Conservation, Energy, and Forestry,2012 Fleet Owner ,1980 **The Road Way** ,1991 *The Modern Motor Engineer: Data sheets and wiring diagrams* Arthur William Judge,1957 **Online Database Search Services Directory** Doris Morris Maxfield,1988 **Billboard** ,1961-02-13 In its 114th year Billboard remains the world s premier weekly music publication and a diverse digital events brand content and data licensing platform Billboard publishes the most trusted charts and offers unrivaled reporting about the latest music video gaming media digital and mobile entertainment issues and trends I & T Shop Service ,1993 *Queensland Government Mining Journal* ,1969 **Resources in Education** ,1997 Field & Stream ,1986-05 FIELD STREAM America s largest outdoor sports magazine celebrates the outdoor experience with great stories compelling photography and sound advice while honoring the traditions hunters and fishermen have passed down for generations Texas State Publications Texas State Publications Depository Program,1995 **The Commercial Car Journal** ,1958 Beginning with 1937 the April issue of each vol is the Fleet reference annual **International Production Manual** ,1985 **Field & Stream** ,1987-05 FIELD STREAM America s largest outdoor sports magazine celebrates the outdoor experience with great stories compelling photography and sound advice while honoring the traditions hunters and fishermen have passed down for generations **Field & Stream** ,1986-05 FIELD STREAM America s largest outdoor sports magazine celebrates the outdoor experience with great stories compelling photography and sound advice while honoring the traditions hunters and fishermen have passed down for generations **Hyperspectral Remote Sensing** Ruiliang Pu,2017-08-16 Advanced imaging spectral technology and hyperspectral analysis techniques for multiple applications are the key features of the book This book will present in one volume complete solutions from concepts fundamentals and methods of acquisition of hyperspectral data to analyses and applications of the data in a very coherent manner It will help readers to fully understand basic theories of HRS how to utilize various field spectrometers and bioinstruments the importance of radiometric correction and atmospheric correction the use of analysis tools and software and determine what to do with HRS technology and data *Field & Stream* ,1986-06 FIELD STREAM America s largest outdoor sports magazine celebrates the outdoor experience with great stories compelling photography and sound advice while honoring the traditions hunters and fishermen have passed down for generations *Field & Stream* ,1986-06 FIELD STREAM America s largest outdoor sports magazine celebrates the outdoor experience with great stories compelling photography and sound advice while honoring the traditions hunters and fishermen have passed down for generations **Electrochemical and Metallurgical Industry** ,1961 *Motor Cycling and Motoring* ,1976

Eventually, you will categorically discover a supplementary experience and capability by spending more cash. still when? complete you put up with that you require to get those all needs subsequent to having significantly cash? Why dont you attempt to get something basic in the beginning? Thats something that will guide you to comprehend even more regarding the globe, experience, some places, as soon as history, amusement, and a lot more?

It is your unquestionably own time to discharge duty reviewing habit. in the midst of guides you could enjoy now is **Perkins 2200 Workshop Manual** below.

<https://crm.avenza.com/book/detail/default.aspx/Paper%203h%20January%202015.pdf>

## **Table of Contents Perkins 2200 Workshop Manual**

1. Understanding the eBook Perkins 2200 Workshop Manual
  - The Rise of Digital Reading Perkins 2200 Workshop Manual
  - Advantages of eBooks Over Traditional Books
2. Identifying Perkins 2200 Workshop Manual
  - Exploring Different Genres
  - Considering Fiction vs. Non-Fiction
  - Determining Your Reading Goals
3. Choosing the Right eBook Platform
  - Popular eBook Platforms
  - Features to Look for in an Perkins 2200 Workshop Manual
  - User-Friendly Interface
4. Exploring eBook Recommendations from Perkins 2200 Workshop Manual
  - Personalized Recommendations
  - Perkins 2200 Workshop Manual User Reviews and Ratings
  - Perkins 2200 Workshop Manual and Bestseller Lists
5. Accessing Perkins 2200 Workshop Manual Free and Paid eBooks

- Perkins 2200 Workshop Manual Public Domain eBooks
  - Perkins 2200 Workshop Manual eBook Subscription Services
  - Perkins 2200 Workshop Manual Budget-Friendly Options
6. Navigating Perkins 2200 Workshop Manual eBook Formats
- ePub, PDF, MOBI, and More
  - Perkins 2200 Workshop Manual Compatibility with Devices
  - Perkins 2200 Workshop Manual Enhanced eBook Features
7. Enhancing Your Reading Experience
- Adjustable Fonts and Text Sizes of Perkins 2200 Workshop Manual
  - Highlighting and Note-Taking Perkins 2200 Workshop Manual
  - Interactive Elements Perkins 2200 Workshop Manual
8. Staying Engaged with Perkins 2200 Workshop Manual
- Joining Online Reading Communities
  - Participating in Virtual Book Clubs
  - Following Authors and Publishers Perkins 2200 Workshop Manual
9. Balancing eBooks and Physical Books Perkins 2200 Workshop Manual
- Benefits of a Digital Library
  - Creating a Diverse Reading Collection Perkins 2200 Workshop Manual
10. Overcoming Reading Challenges
- Dealing with Digital Eye Strain
  - Minimizing Distractions
  - Managing Screen Time
11. Cultivating a Reading Routine Perkins 2200 Workshop Manual
- Setting Reading Goals Perkins 2200 Workshop Manual
  - Carving Out Dedicated Reading Time
12. Sourcing Reliable Information of Perkins 2200 Workshop Manual
- Fact-Checking eBook Content of Perkins 2200 Workshop Manual
  - Distinguishing Credible Sources
13. Promoting Lifelong Learning
- Utilizing eBooks for Skill Development

- Exploring Educational eBooks
14. Embracing eBook Trends
- Integration of Multimedia Elements
  - Interactive and Gamified eBooks

### **Perkins 2200 Workshop Manual Introduction**

Free PDF Books and Manuals for Download: Unlocking Knowledge at Your Fingertips In today's fast-paced digital age, obtaining valuable knowledge has become easier than ever. Thanks to the internet, a vast array of books and manuals are now available for free download in PDF format. Whether you are a student, professional, or simply an avid reader, this treasure trove of downloadable resources offers a wealth of information, conveniently accessible anytime, anywhere. The advent of online libraries and platforms dedicated to sharing knowledge has revolutionized the way we consume information. No longer confined to physical libraries or bookstores, readers can now access an extensive collection of digital books and manuals with just a few clicks. These resources, available in PDF, Microsoft Word, and PowerPoint formats, cater to a wide range of interests, including literature, technology, science, history, and much more. One notable platform where you can explore and download free Perkins 2200 Workshop Manual PDF books and manuals is the internet's largest free library. Hosted online, this catalog compiles a vast assortment of documents, making it a veritable goldmine of knowledge. With its easy-to-use website interface and customizable PDF generator, this platform offers a user-friendly experience, allowing individuals to effortlessly navigate and access the information they seek. The availability of free PDF books and manuals on this platform demonstrates its commitment to democratizing education and empowering individuals with the tools needed to succeed in their chosen fields. It allows anyone, regardless of their background or financial limitations, to expand their horizons and gain insights from experts in various disciplines. One of the most significant advantages of downloading PDF books and manuals lies in their portability. Unlike physical copies, digital books can be stored and carried on a single device, such as a tablet or smartphone, saving valuable space and weight. This convenience makes it possible for readers to have their entire library at their fingertips, whether they are commuting, traveling, or simply enjoying a lazy afternoon at home. Additionally, digital files are easily searchable, enabling readers to locate specific information within seconds. With a few keystrokes, users can search for keywords, topics, or phrases, making research and finding relevant information a breeze. This efficiency saves time and effort, streamlining the learning process and allowing individuals to focus on extracting the information they need. Furthermore, the availability of free PDF books and manuals fosters a culture of continuous learning. By removing financial barriers, more people can access educational resources and pursue lifelong learning, contributing to personal growth and professional development. This democratization of knowledge promotes intellectual curiosity and

empowers individuals to become lifelong learners, promoting progress and innovation in various fields. It is worth noting that while accessing free Perkins 2200 Workshop Manual PDF books and manuals is convenient and cost-effective, it is vital to respect copyright laws and intellectual property rights. Platforms offering free downloads often operate within legal boundaries, ensuring that the materials they provide are either in the public domain or authorized for distribution. By adhering to copyright laws, users can enjoy the benefits of free access to knowledge while supporting the authors and publishers who make these resources available. In conclusion, the availability of Perkins 2200 Workshop Manual free PDF books and manuals for download has revolutionized the way we access and consume knowledge. With just a few clicks, individuals can explore a vast collection of resources across different disciplines, all free of charge. This accessibility empowers individuals to become lifelong learners, contributing to personal growth, professional development, and the advancement of society as a whole. So why not unlock a world of knowledge today? Start exploring the vast sea of free PDF books and manuals waiting to be discovered right at your fingertips.

### **FAQs About Perkins 2200 Workshop Manual Books**

How do I know which eBook platform is the best for me? Finding the best eBook platform depends on your reading preferences and device compatibility. Research different platforms, read user reviews, and explore their features before making a choice. Are free eBooks of good quality? Yes, many reputable platforms offer high-quality free eBooks, including classics and public domain works. However, make sure to verify the source to ensure the eBook credibility. Can I read eBooks without an eReader? Absolutely! Most eBook platforms offer web-based readers or mobile apps that allow you to read eBooks on your computer, tablet, or smartphone. How do I avoid digital eye strain while reading eBooks? To prevent digital eye strain, take regular breaks, adjust the font size and background color, and ensure proper lighting while reading eBooks. What the advantage of interactive eBooks? Interactive eBooks incorporate multimedia elements, quizzes, and activities, enhancing the reader engagement and providing a more immersive learning experience. Perkins 2200 Workshop Manual is one of the best book in our library for free trial. We provide copy of Perkins 2200 Workshop Manual in digital format, so the resources that you find are reliable. There are also many Ebooks of related with Perkins 2200 Workshop Manual. Where to download Perkins 2200 Workshop Manual online for free? Are you looking for Perkins 2200 Workshop Manual PDF? This is definitely going to save you time and cash in something you should think about.

**Find Perkins 2200 Workshop Manual :**

*paper 3h january 2015*

paper about music

~~panera chicken noodle soup recipe~~

*paper 6 may june 2013 qp biology*

paper1 mathematics grade8 term4 2014

**paradise episode guide**

*panorama supersite answer*

~~papers on leadership~~

**papereference physics edexcel gcse higher june2013 markscheme**

**paneer recipe without onion**

~~papers solid ground curing~~

*paper code k mains answer key*

~~panopticon behold the king of the machines~~

paper2 november2014 physical sciences grade12

*pans labyrinth study guide*

**Perkins 2200 Workshop Manual :**

**mere christianity c s lewis signature classic amazon de** - Dec 03 2022

web mere christianity c s lewis signature classic lewis c s isbn 9780007461219 kostenloser versand für alle bücher mit versand und verkauf durch amazon

mere christianity c s lewis signature classic paperback - Aug 31 2022

web mere christianity c s lewis signature classic paperback international edition january 1 2012 mere christianity c s lewis signature classic c s lewis c s lewis on amazon com free shipping on qualifying offers

*mere christianity c s lewis first edition signed raptis rare* - Apr 07 2023

web mere christianity lewis c s item number 89430 london geoffrey bles 1952 first edition of this classic c s lewis work which was adapted from a series of bbc radio talks made between 1942 and 1944 octavo original cloth signed by c s lewis on the front free endpaper near fine in a very good dust jacket with some rubbing and wear to

**mere christianity c s lewis signature classics by c s lewis** - Jul 30 2022



web feb 6 2001 booktopia has mere christianity c s lewis signature classics by c s lewis buy a discounted paperback of mere christianity online from australia s leading online bookstore

**mere christianity c s lewis signature classics kindle edition** - May 28 2022

web audiobook 0 00 free with your audible trial in the classic mere christianity c s lewis the most important writer of the 20th century explores the common ground upon which all of those of christian faith stand together

*c s lewis signature classic mere christianity paperback* - Mar 26 2022

web c s lewis signature classic mere christianity paperback 1 august 2018 by c s lewis author 4 7 18 287 ratings see all formats and editions kindle 3 99 read with our free app paperback from 15 39 21 new from 15 39

*mere christianity c s lewis signature classic amazon fr* - Jan 04 2023

web amazon fr mere christianity c s lewis signature classic lewis c s livres livres romans et littérature livres de référence neuf 8 86 tous les prix incluent la tva retours gratuits livraison à 0 01 mardi 13 juin détails ou livraison accélérée lundi 12 juin commandez dans les 2 h 29 min détails entrez votre adresse en stock

**mere christianity c s lewis signature classic amazon com tr** - Jul 10 2023

web mere christianity c s lewis signature classic lewis c s amazon com tr kitap

*mere christianity c s lewis signature classics bob jones* - Jun 28 2022

web buy now add to compare mere christianity is the most popular of c s this book brings together lewis s legendary radio broadcast talks in which he set out simply to explain and defend the belief that has been common to nearly all christians at all times

mere christianity c s lewis signature classic paperback - Feb 05 2023

web apr 1 2012 buy mere christianity c s lewis signature classic 1 by lewis c s isbn 9780007461219 from amazon s book store everyday low prices and free delivery on eligible orders

**mere christianity c s lewis signature classic** - Oct 01 2022

web lewis seeks in mere christianity to help us see religion with fresh eyes as a radical faith whose adherents might be likened to an underground group gathering in a war zone a place where evil seems to have the upper hand to hear messages of hope from the other side

*the c s lewis signature classics an anthology of 8 c s lewis* - Jun 09 2023

web feb 14 2017 the c s lewis signature classics an anthology of 8 c s lewis titles mere christianity the screwtape letters miracles the great divorce the problem of pain a grief observed the abolition of man and the four loves by c s lewis

*the c s lewis signature classics an anthology of 8 c s lewis* - Sep 12 2023

web feb 14 2017 amazon com the c s lewis signature classics an anthology of 8 c s lewis titles mere christianity the

screwtape letters miracles the great divorce the the abolition of man and the four loves 9780062572547 lewis c s books

**mere christianity koorong** - Aug 11 2023

web paperback 2012 07 01 this hugely popular international bestseller is being repackaged and rebranded as the leading title in the c s lewis signature classics range one of the most popular and beloved introductions to the concept of faith ever written mere christ 19 99 1215 in stock online earn 19 reward points per item add to basket

*mere christianity in the complete c s lewis signature classics* - Mar 06 2023

web mere christianity in the complete c s lewis signature classics center for excellence in preaching pp 34 35 when we have understood free will we shall see how silly it is to ask as somebody once asked me why did god make a creature of such rotten stuff that it went wrong

c s lewis signature classic mere christianity better world books - Nov 02 2022

web jul 12 2016 buy a copy of c s lewis signature classic mere christianity book by c s lewis 2012 marks the 60th anniversary of the publication of c s lewis s classic mere christianity having sold over half a million copies in the uk alone his overview of christianity has been imitated many time but never bettered

**mere christianity c s lewis google books** - May 08 2023

web mar 6 2001 mere christianity c s lewis signature classics series collected letters of c s lewi mere christianity a revised and amplified edition with a new introduction of the three

**mere christianity c s yumpu** - Jan 24 2022

web close try adfree self publishing discover

*mere christianity c s lewis signature classics by c s lewis* - Feb 22 2022

web oct 25 2022 read reviews and buy mere christianity c s lewis signature classics by c s lewis paperback at target choose from same day delivery drive up or order pickup free standard shipping with 35 orders expect more pay less

the c s lewis signature classics an anthology of 8 c s lewis - Apr 26 2022

web the c s lewis signature classics an anthology of 8 c s lewis titles mere christianity the screwtape letters miracles the great divorce the problem of pain a grief observed the abolition of man and the four

**answered in computer science illuminated bartleby** - Mar 27 2022

web computer science illuminated chapter answers reviewing computer science illuminated chapter answers unlocking the spellbinding force of linguistics in a fast

**computer science illuminated solution manual** - Jan 05 2023

web expert solutions computer science illuminated 5th edition john lewis nell b dale isbn 9781449665746 sorry we don t have content for this book yet find step by step expert

[computer science illuminated nell b dale john lewis](#) - Jul 31 2022

web illuminated in computer science covers different predictions regarding the future of computers which one is the most erroneous answer in four sentences or less

[answers to computer science illuminated](#) - Dec 24 2021

**answers to computer science illuminated pdf uniport edu** - Jun 29 2022

web illuminated in computer science covers different predictions regarding the future of computers which one is the most erroneous answer in four sentences or less

[computer science illuminated 7th edition textbook](#) - Aug 12 2023

web 61 questions step by step video answers explanations by expert educators for all computer science illuminated 7th by dale nell lewis john only on numerade com

[solutions for computer science illuminated 7th numerade](#) - Jun 10 2023

web jan 17 2019 authored by the award winning team nell dale and john nd updated the seventh edition of the best selling text computer science illuminated retains the

[computer science illuminated chapter answers copy](#) - Nov 22 2021

[chapter 4 solutions computer science illuminated 7th edition](#) - Dec 04 2022

web computer science illuminated nell b dale john lewis jones bartlett publishers 2013 computer science 665 pages revised and updated with the latest information

[illuminating errors creates a new paradigm for quantum](#) - Oct 22 2021

**computer science illuminated 6th edition solutions and** - Oct 02 2022

web mar 1 2012 revised and updated with the latest information in the field the fifth edition of best selling computer science illuminated continues to provide students

**computer science illuminated exercise answers pdf** - Apr 27 2022

web 4 answers to computer science illuminated 2022 06 04 v10 6 v10 7 v10 8 or v10 9 512mb of ram 1gb of ram recommended computer science illuminated springer

**answered illuminated in computer science covers bartleby** - Feb 23 2022

web oct 11 2023 illuminating errors creates a new paradigm for quantum computing researchers led by jeff thompson at princeton university have developed a technique

[answers for computer science illuminated chapter 7 full](#) - Jan 25 2022

web fully revised and updated the sixth edition of the best selling text computer science illuminated retains the accessibility and in depth coverage of previous editions while

[computer science illuminated nell dale john lewis google](#) - Apr 08 2023

web access computer science illuminated 7th edition chapter 4 solutions now our solutions are written by chegg experts so you can be assured of the highest quality

[computer science illuminated 7th edition book](#) - Mar 07 2023

web find step by step solutions and answers to computer science illuminated 9781284199697 as well as thousands of textbooks so you can move forward with

**computer science illuminated 7th edition solutions and** - Nov 03 2022

web this answers to computer science illuminated as one of the most enthusiastic sellers here will unquestionably be among the best options to review cambridge international

[computer science illuminated 7th edition solutions and](#) - May 09 2023

web computer science illuminated exercise answers i recently purchased a physical copy of computer science illuminated 5th edition i was very disappointed to find that

[computer science illuminated guide books acm digital](#) - May 29 2022

web computer science illuminated sixth edition computer science illuminated chapter 2 flashcards quizlet answers for computer science illuminated answers for

[computer science illuminated 7th edition textbook](#) - Sep 13 2023

web quiz chapters 1 7 results computer science illuminated 7th edition the third generation software studocu professor robert hendricks computer science illuminated 7th

[computer science illuminated 6th edition book o reilly media](#) - Sep 20 2021

**computer science illuminated 5th edition solutions and** - Sep 01 2022

web computer science illuminated exercise answers 1 9 downloaded from uniport edu ng on december 9 2022 by guest computer science illuminated exercise answers yeah

**quiz chapters 1 7 results computer science illuminated 7th** - Jul 11 2023

web sorry we don t have content for this book yet find step by step expert solutions for your textbook or homework problem find step by step solutions and answers to computer

[computer science illuminated exercise answers](#) - Feb 06 2023

web agnes g loeffler john lewis michael n hart nell b dale sorry we don t have content for this book yet find step by step expert solutions for your textbook or homework problem

[pra c cis des sciences du hadith uniport edu](#) - Apr 01 2022

web mar 11 2023 pra c cis des sciences du hadith 1 8 downloaded from uniport edu ng on march 11 2023 by guest pra c cis des sciences du hadith as recognized adventure

[pra c cis des sciences du hadith pdf uniport edu](#) - Jun 03 2022

web mar 22 2023 pra c cis des sciences du hadith 2 5 downloaded from uniport edu ng on march 22 2023 by guest archaeological evidence robert hoyland explores the main

[pra c cis des sciences du hadith 2023 domainlookup org](#) - Jul 04 2022

web mar 28 2023 for pra c cis des sciences du hadith and numerous ebook collections from fictions to scientific research in any way along with them is this pra c cis des

**précis des sciences du hadîth broché au meilleur prix e leclerc** - Jan 30 2022

web mahmo d at tahh n un savant musulman contemporain a le mérite d avoir clarifié les sciences du had th dans cet ouvrage et d avoir permis la compréhension de cette

[pra c cis des sciences du hadith stephen y lin book](#) - May 14 2023

web recognizing the quirk ways to get this book pra c cis des sciences du hadith is additionally useful you have remained in right site to begin getting this info acquire the

[notions essentielles concernant la science des hadiths](#) - Apr 13 2023

web signification profonde des références qui traitent du sujet c est pourquoi dans les lignes qui vont suivre on tentera incha allah de définir ces termes spécifiques en clarifiant

**pra c cis des sciences du hadith pdf full pdf black ortax** - Jun 15 2023

web pra c cis des sciences du hadith pdf pages 2 6 pra c cis des sciences du hadith pdf upload donald j boyle 2 6 downloaded from black ortax org on september 6 2023

**hadith sur la science hadiths authentiques sur la science** - Jan 10 2023

web hadith sur la science hadiths authentiques sur la science voici quelques hadiths authentiques sur la science cliquez sur le titre du hadith pour en connaitre son

[le mérite de l apprentissage de la science hisnii](#) - Mar 12 2023

web sep 29 2018 le mérite de l apprentissage de la science 29 sep 2018 hadith sur les actes méritoires le prophète ﷺ a dit celui qui prend un chemin pour rechercher la

**pra c cis des sciences du hadith united nations** - Feb 28 2022

web pra c cis des sciences du hadith right here we have countless books pra c cis des sciences du hadith and collections to check out we additionally find the money for

[pra c cis des sciences du hadith 2023 dtzonline](#) - Aug 17 2023

web stimulate metamorphosis is truly astonishing within the pages of pra c cis des sciences du hadith an enthralling opus penned by a highly acclaimed wordsmith readers

**pra c cis des sciences du hadith** - Oct 27 2021

web pra c cis des sciences du hadith recognizing the exaggeration ways to get this ebook pra c cis des sciences du hadith is additionally useful you have remained in right

**pra c cis des sciences du hadith charles westin download only** - Jul 16 2023

web pra c cis des sciences du hadith eventually you will utterly discover a new experience and execution by spending more cash academy of sciences representing more than

[pra c cis des sciences du hadith pqr uiaf gov co](#) - Sep 25 2021

web we provide pra c cis des sciences du hadith and numerous book collections from fictions to scientific research in any way in the middle of them is this pra c cis des

**pra c cis des sciences du hadith pdf rc spectrallabs** - May 02 2022

web pra c cis des sciences du hadith downloaded from rc spectrallabs com by guest yaretzi kane 1500 science test questions answers university of texas press

[pra c cis des sciences du hadith pdf copy voto uncal edu](#) - Sep 06 2022

web journey through pra c cis des sciences du hadith pdf in a digitally driven world where displays reign great and quick communication drowns out the subtleties of language the

[pra c cis des sciences du hadith pdf uniport edu](#) - Dec 09 2022

web jun 29 2023 pra c cis des sciences du hadith 1 1 downloaded from uniport edu ng on june 29 2023 by guest pra c cis des sciences du hadith this is likewise one of the

**downloadable free pdfs pra c cis des sciences du hadith** - Nov 08 2022

web pra c cis des sciences du hadith the national medical dictionary oct 07 2020 tables include table of doses table of antidotes systems of numbering spectacle glasses

[pra c cis des sciences du hadith copy wef tamu](#) - Oct 07 2022

web it is not as regards the costs its roughly what you infatuation currently this pra c cis des sciences du hadith as one of the most operating sellers here will no question be in the

[pra c cis des sciences du hadith download only ftp bonide](#) - Nov 27 2021

web pra c cis des sciences du hadith downloaded from ftp bonide com by guest rivas gardner a dictionary of practical surgery  
springer 1973 includes mineral name index

**sciences du hadiths association islamique de l ouest de france** - Feb 11 2023

web tél fax 02 40 35 50 02 mosquee de nantes com sciences du hadiths introduction i définitions a hadith b les termes qui ont  
le même sens khabar athar sunna c les

pra c cis des sciences du hadith pdf uniport edu - Aug 05 2022

web jun 13 2023 pra c cis des sciences du hadith 2 8 downloaded from uniport edu ng on june 13 2023 by guest the other  
scene balibar deepens and extends the work he first

**précis des sciences du hadith by mahmoud at tahhan** - Dec 29 2021

web précis des sciences du hadith by mahmoud at tahhan loot co za sitemap loc gov pdf le agriculture crops physiology cis  
2297 6477 librelloph environmental science