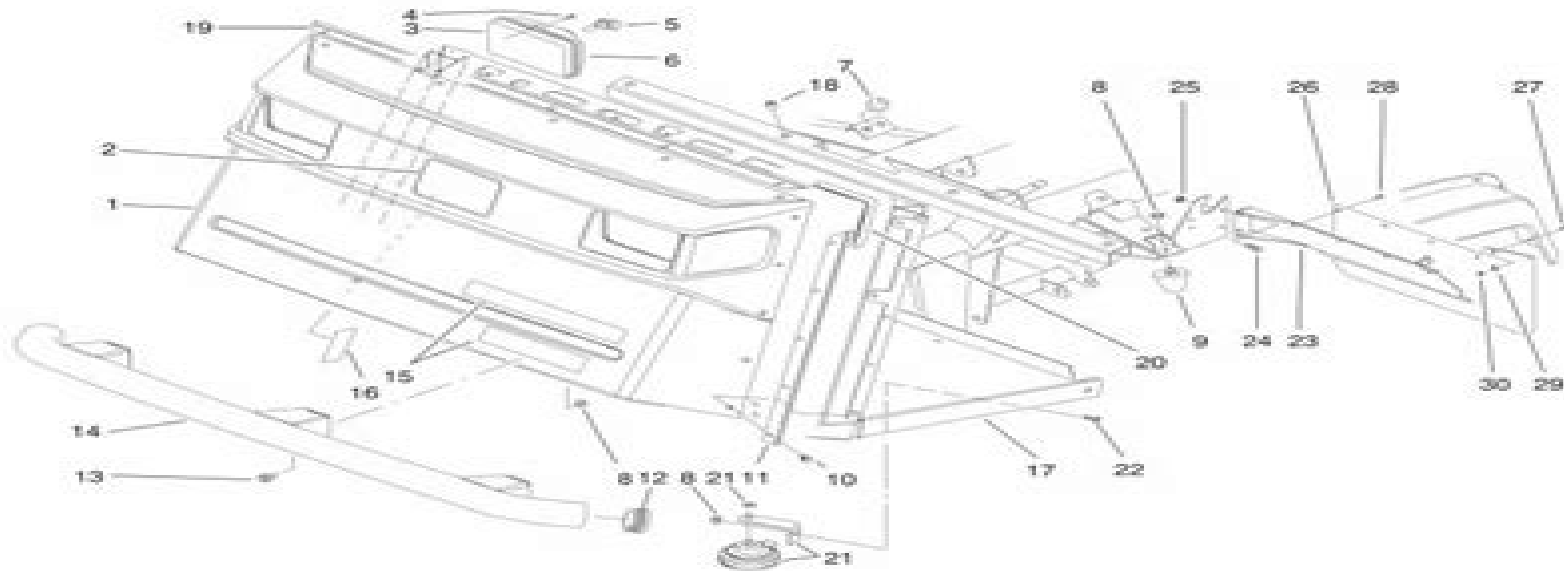


TORO

MODEL NO. 07200-70251 & UP
 MODEL NO. 07200TC-70112 & UP
 MODEL NO. 07202-70218 & UP

PARTS
 CATALOG

WORKMAN® 3200

T-3381-1

FRONT BUMPER & HOOD ASSEMBLY

Ref. No.	Part No.	Description	No. Used	Ref. No.	Part No.	Description	No. Used
1	87-0710	Hood	1	16	92-5395	Decal - Load (Japan)	1
2	62-5550	Decal - TORO	1	17	94-5240	Asm - Operators Platform (Incl. Ref. #18)	1
3	87-2120	Asm - Headlight (Incl. Ref. #5-6)	1	18	32148-7	Nut - Clinch	8
4	32104-88	Screw	6	19	87-8130	Bracket - Trim Top	1
5	87-6320	Bulb - Headlight	1	20	87-8160	Trim	1
6	87-6330	Lens - Headlight	1	21	116749	Asm - Horn	1
7	87-2440	Bumper	1	22	323-4	Screw - HH	1
8	3290-357	Nut - Flange Lock	1	23	94-3838	Bracket - Mudflap LH	1
9	26-0071	Bumper	1	*	94-3839	Bracket - Mudflap RH	1
10	87-6620	Screw	15	24	321-4	Screw - HH	4
11	87-8120	Bracket - Trim Side	1	25	32128-33	Nut - Lock	4
12	2410-42	Cap - Front Bumper	1	26	94-3841	Mudflap	2
13	3234-1	Screw - HHF	6	27	3250-13	Screw - PH	4
14	87-4070	Bumper - Front	1	28	146489	Rivet - Pop	8
15	87-6700	Decal - Workman 3200	1	29	3256-61	Washer - Flat	4
16	87-7000	Decal - Load	1	30	3296-2	Nut - Lock	4
16	94-1224	Decal - Load (Europe)	1				

*Not illustrated

© The TORO Company - 1997
 All Rights Reserved

TPS

Parts Manual For Toro Workman 3200

R Bogdan



Parts Manual For Toro Workman 3200:

When somebody should go to the books stores, search commencement by shop, shelf by shelf, it is essentially problematic. This is why we give the book compilations in this website. It will certainly ease you to see guide **Parts Manual For Toro Workman 3200** as you such as.

By searching the title, publisher, or authors of guide you in fact want, you can discover them rapidly. In the house, workplace, or perhaps in your method can be all best place within net connections. If you ambition to download and install the Parts Manual For Toro Workman 3200, it is categorically simple then, past currently we extend the link to purchase and make bargains to download and install Parts Manual For Toro Workman 3200 hence simple!

https://crm.avenza.com/data/browse/default.aspx/Owners_Manual_Honda_Big_Ruckus.pdf

Table of Contents Parts Manual For Toro Workman 3200

1. Understanding the eBook Parts Manual For Toro Workman 3200
 - The Rise of Digital Reading Parts Manual For Toro Workman 3200
 - Advantages of eBooks Over Traditional Books
2. Identifying Parts Manual For Toro Workman 3200
 - Exploring Different Genres
 - Considering Fiction vs. Non-Fiction
 - Determining Your Reading Goals
3. Choosing the Right eBook Platform
 - Popular eBook Platforms
 - Features to Look for in an Parts Manual For Toro Workman 3200
 - User-Friendly Interface
4. Exploring eBook Recommendations from Parts Manual For Toro Workman 3200
 - Personalized Recommendations
 - Parts Manual For Toro Workman 3200 User Reviews and Ratings
 - Parts Manual For Toro Workman 3200 and Bestseller Lists

5. Accessing Parts Manual For Toro Workman 3200 Free and Paid eBooks
 - Parts Manual For Toro Workman 3200 Public Domain eBooks
 - Parts Manual For Toro Workman 3200 eBook Subscription Services
 - Parts Manual For Toro Workman 3200 Budget-Friendly Options
6. Navigating Parts Manual For Toro Workman 3200 eBook Formats
 - ePub, PDF, MOBI, and More
 - Parts Manual For Toro Workman 3200 Compatibility with Devices
 - Parts Manual For Toro Workman 3200 Enhanced eBook Features
7. Enhancing Your Reading Experience
 - Adjustable Fonts and Text Sizes of Parts Manual For Toro Workman 3200
 - Highlighting and Note-Taking Parts Manual For Toro Workman 3200
 - Interactive Elements Parts Manual For Toro Workman 3200
8. Staying Engaged with Parts Manual For Toro Workman 3200
 - Joining Online Reading Communities
 - Participating in Virtual Book Clubs
 - Following Authors and Publishers Parts Manual For Toro Workman 3200
9. Balancing eBooks and Physical Books Parts Manual For Toro Workman 3200
 - Benefits of a Digital Library
 - Creating a Diverse Reading Collection Parts Manual For Toro Workman 3200
10. Overcoming Reading Challenges
 - Dealing with Digital Eye Strain
 - Minimizing Distractions
 - Managing Screen Time
11. Cultivating a Reading Routine Parts Manual For Toro Workman 3200
 - Setting Reading Goals Parts Manual For Toro Workman 3200
 - Carving Out Dedicated Reading Time
12. Sourcing Reliable Information of Parts Manual For Toro Workman 3200
 - Fact-Checking eBook Content of Parts Manual For Toro Workman 3200
 - Distinguishing Credible Sources
13. Promoting Lifelong Learning

- Utilizing eBooks for Skill Development
 - Exploring Educational eBooks
14. Embracing eBook Trends
- Integration of Multimedia Elements
 - Interactive and Gamified eBooks

Parts Manual For Toro Workman 3200 Introduction

In this digital age, the convenience of accessing information at our fingertips has become a necessity. Whether its research papers, eBooks, or user manuals, PDF files have become the preferred format for sharing and reading documents. However, the cost associated with purchasing PDF files can sometimes be a barrier for many individuals and organizations. Thankfully, there are numerous websites and platforms that allow users to download free PDF files legally. In this article, we will explore some of the best platforms to download free PDFs. One of the most popular platforms to download free PDF files is Project Gutenberg. This online library offers over 60,000 free eBooks that are in the public domain. From classic literature to historical documents, Project Gutenberg provides a wide range of PDF files that can be downloaded and enjoyed on various devices. The website is user-friendly and allows users to search for specific titles or browse through different categories. Another reliable platform for downloading Parts Manual For Toro Workman 3200 free PDF files is Open Library. With its vast collection of over 1 million eBooks, Open Library has something for every reader. The website offers a seamless experience by providing options to borrow or download PDF files. Users simply need to create a free account to access this treasure trove of knowledge. Open Library also allows users to contribute by uploading and sharing their own PDF files, making it a collaborative platform for book enthusiasts. For those interested in academic resources, there are websites dedicated to providing free PDFs of research papers and scientific articles. One such website is Academia.edu, which allows researchers and scholars to share their work with a global audience. Users can download PDF files of research papers, theses, and dissertations covering a wide range of subjects. Academia.edu also provides a platform for discussions and networking within the academic community. When it comes to downloading Parts Manual For Toro Workman 3200 free PDF files of magazines, brochures, and catalogs, Issuu is a popular choice. This digital publishing platform hosts a vast collection of publications from around the world. Users can search for specific titles or explore various categories and genres. Issuu offers a seamless reading experience with its user-friendly interface and allows users to download PDF files for offline reading. Apart from dedicated platforms, search engines also play a crucial role in finding free PDF files. Google, for instance, has an advanced search feature that allows users to filter results by file type. By specifying the file type as "PDF," users can find websites that offer free PDF downloads on a specific topic. While downloading Parts Manual For Toro Workman 3200 free PDF files is

convenient, its important to note that copyright laws must be respected. Always ensure that the PDF files you download are legally available for free. Many authors and publishers voluntarily provide free PDF versions of their work, but its essential to be cautious and verify the authenticity of the source before downloading Parts Manual For Toro Workman 3200. In conclusion, the internet offers numerous platforms and websites that allow users to download free PDF files legally. Whether its classic literature, research papers, or magazines, there is something for everyone. The platforms mentioned in this article, such as Project Gutenberg, Open Library, Academia.edu, and Issuu, provide access to a vast collection of PDF files. However, users should always be cautious and verify the legality of the source before downloading Parts Manual For Toro Workman 3200 any PDF files. With these platforms, the world of PDF downloads is just a click away.

FAQs About Parts Manual For Toro Workman 3200 Books

1. Where can I buy Parts Manual For Toro Workman 3200 books? Bookstores: Physical bookstores like Barnes & Noble, Waterstones, and independent local stores. Online Retailers: Amazon, Book Depository, and various online bookstores offer a wide range of books in physical and digital formats.
2. What are the different book formats available? Hardcover: Sturdy and durable, usually more expensive. Paperback: Cheaper, lighter, and more portable than hardcovers. E-books: Digital books available for e-readers like Kindle or software like Apple Books, Kindle, and Google Play Books.
3. How do I choose a Parts Manual For Toro Workman 3200 book to read? Genres: Consider the genre you enjoy (fiction, non-fiction, mystery, sci-fi, etc.). Recommendations: Ask friends, join book clubs, or explore online reviews and recommendations. Author: If you like a particular author, you might enjoy more of their work.
4. How do I take care of Parts Manual For Toro Workman 3200 books? Storage: Keep them away from direct sunlight and in a dry environment. Handling: Avoid folding pages, use bookmarks, and handle them with clean hands. Cleaning: Gently dust the covers and pages occasionally.
5. Can I borrow books without buying them? Public Libraries: Local libraries offer a wide range of books for borrowing. Book Swaps: Community book exchanges or online platforms where people exchange books.
6. How can I track my reading progress or manage my book collection? Book Tracking Apps: Goodreads, LibraryThing, and Book Catalogue are popular apps for tracking your reading progress and managing book collections. Spreadsheets: You can create your own spreadsheet to track books read, ratings, and other details.
7. What are Parts Manual For Toro Workman 3200 audiobooks, and where can I find them? Audiobooks: Audio recordings

- of books, perfect for listening while commuting or multitasking. Platforms: Audible, LibriVox, and Google Play Books offer a wide selection of audiobooks.
8. How do I support authors or the book industry? Buy Books: Purchase books from authors or independent bookstores. Reviews: Leave reviews on platforms like Goodreads or Amazon. Promotion: Share your favorite books on social media or recommend them to friends.
 9. Are there book clubs or reading communities I can join? Local Clubs: Check for local book clubs in libraries or community centers. Online Communities: Platforms like Goodreads have virtual book clubs and discussion groups.
 10. Can I read Parts Manual For Toro Workman 3200 books for free? Public Domain Books: Many classic books are available for free as they're in the public domain. Free E-books: Some websites offer free e-books legally, like Project Gutenberg or Open Library.

Find Parts Manual For Toro Workman 3200 :

owners manual honda big ruckus

[owners manual ford 800 tractor](#)

[owners manual sea doo gti 2011](#)

[owners manual for massey 241](#)

[owners manual for skil 1823 1835 plunge router](#)

owners manual for f 15x

[owners manual nissan elgrand](#)

~~owners manual ford xr6 turbo ute~~

[oxford solutions advanced teachers 2nd edition](#)

[owners manual for vogue 11 motor home](#)

[oxylog 3000 service manual](#)

owners manual toyota corolla

owners manual for skoda fabia 2004

[owners manual iron 883](#)

[oxford successful grade 10 physical sciences paper 1 memorandum](#)

Parts Manual For Toro Workman 3200 :

Why We Do What We Do: Understanding Self-Motivation The bottom line: we do what we do because we have some basic need for freedom, to express ourselves authentically, to be the unique person we just plain ARE. Why We Do What We Do: Understanding Self-Motivation People do things effectively -- whether it is to work, to learn, or to cooperate in any social relationship -- when they are "self-motivated". This means they ... Why We Do What We Do: Understanding Self-Motivation Explaining the reasons why a task is important and then allowing as much personal freedom as possible in carrying out the task will stimulate interest and ... Why We Do What We Do Summary Being intrinsically motivated is better for our mental health, because we feel more in control, and we understand why we're doing what we're doing. We don't ... Why We Do What We Do: Understanding Self-Motivation ... The bottom line: we do what we do because we have some basic need for freedom, to express ourselves authentically, to be the unique person we just plain ARE. Why We Do What We Do by Edward L. Deci, Richard Flaste Aug 1, 1996 — The best way to motivate people—at school, at work, or at home—is to support their sense of autonomy. Explaining the reasons why a task is ... Why We Do What We Do - Understanding Self-Motivation ... Sep 13, 2018 — Autonomy fuels growth and health because it allows people to experience themselves as themselves, as the initiators of their own actions. How ... Why We Do What We Do: Understanding Self-Motivation Self-Determination is a leading theory in human motivation that explains how people as active organisms, have evolved tendencies toward growing, mastering ... Why We Do What We Do: Understanding Self-Motivation Why We Do What We Do: Understanding Self-Motivation. Social Psych, Decision Science ... Why We Do What We Do: Understanding Self-Motivation. Edward Deci. kindle ... Dodge Grand Caravan Owner's Manual View and Download Dodge Grand Caravan owner's manual online. Grand Caravan automobile pdf manual download. 2003 Dodge Caravan Owners Manual ASIN, B000OFZKGU. Publisher, Dodge; 4th edition (January 1, 2003). Language, English. Paperback, 0 pages. Item Weight, 1.35 pounds. Best Sellers Rank. Dodge website doesn't provide owners manuals for 2003 ... Nov 12, 2017 — Dodge website doesn't provide owners manuals for 2003 & older, please help, need pdf. I need an OWNERS MANUAL for 2002 Dodge Grand CARAVAN Ex ... 2003 Grand Caravan Sport Owner's Manual Aug 15, 2010 — I have just purchased a 2003 Grand Caravan Sport. It did not have the owner's manual with it... I have looked everywhere for a pdf file or ... 2003 DODGE CARAVAN OWNERS MANUAL GUIDE ... Find many great new & used options and get the best deals for 2003 DODGE CARAVAN OWNERS MANUAL GUIDE BOOK SET WITH CASE OEM at the best online prices at ... 2003 Dodge Grand Caravan Owners Manual OEM Free ... 2003 Dodge Grand Caravan Owners Manual OEM Free Shipping ; Quantity. 1 available ; Item Number. 305274514727 ; Year of Publication. 2003 ; Make. Dodge ; Accurate ... 2003 Dodge Caravan & Grand Caravan Owner's Operator ... Original factory 2003 Dodge Caravan & Grand Caravan Owner's Operator Manual User Guide Set by DIY Repair Manuals. Best selection and lowest prices on owners ... 2003 Dodge Caravan Owners Manual Book Guide OEM ... 2003 Dodge Caravan Owners Manual Book Guide OEM Used Auto

Parts. SKU:243559. In stock. We have 1 in stock. Regular price \$ 17.15 Sale. Default Title. Official Mopar Site | Owner's Manual With us, knowledge is confidence. Sign in now to access how-to videos, tips, your owner's manual and more - all tailored to the vehicle you own. TABLE OF CONTENTS - Dealer E Process This manual has been prepared with the assistance of service and engineering specialists to acquaint you with the operation and maintenance of your new vehicle. Earth Science: The Physical Setting - 1st Edition - Solutions ... Our resource for Earth Science: The Physical Setting includes answers to chapter exercises, as well as detailed information to walk you through the process step ... Earth Science Review Answers | PDF Teachers Guide and Answer Key. Reviewing Earth Science The Physical Setting Third Edition Thomas McGuire. This CD contains answer keys for the Earth Science The Physical Setting Answer Key Fill Earth Science The Physical Setting Answer Key, Edit online. Sign, fax and printable from PC, iPad, tablet or mobile with pdfFiller Instantly. 6u!iias |B3!sAL|C| am The Answer Key for the Brief Review in Earth Science provides answers to all of the questions in the book, including the sample Regents Examinations ... Earth Science The Physical Setting Answer Key: Books Earth Science: Physical Setting, New York Regents Review Practice Tests with Answers and Explanations (Based on NYS Core Guide) 2009-2010 Edition. Earth Science: the Physical Setting: Answer Key 2005 Focusing on the Earth Science content tested on the Regents Examination, this thorough review guide contains extensive vocabulary, review questions, ... Earth Science: The Physical Setting Answer Key (Prentice ... Earth Science: The Physical Setting Answer Key (Prentice Hall Brief Review for the New York Regents Exam) by Prentice Hall - ISBN 10: 0133200353 - ISBN 13: ... Regents Exams and Answers: Earth Science--Physical ... Review questions grouped by topic, to help refresh skills learned in class; Thorough explanations for all answers; Score analysis charts to help identify ... Review Book: Earth Science: The Physical Setting (3 Edition) by T McGuire · Cited by 8 — Record your answers in your Review Book. Be prepared for homework quizzes. The dates for the assignments will be given in class. Earth Science: The Physical Setting (prentice Hall Brief ... Access Earth Science: The Physical Setting (Prentice Hall Brief Review For The New York Regents Exam) 1st Edition Chapter 2 solutions now.