

ENGINE MECHANICAL - EM

ZD30DDTi Intake Manifold

The Intake Manifold as shown right is mounted on the RH side of the Cylinder Head.

An electrically operated Air Intake Control Valve is utilised & the Swirl Valves have been incorporated inside the intake manifold.

Electric Throttle Control Actuator;

On the previous ZD engine as well as the non DPF YD25 engine, the Air Intake Control valve was vacuum controlled. Now on the new ZD30 CRD engine, the valve has the same purpose as previous, however it is electrically operated. Its operation is very much the same as a ETC unit found on many petrol engines.

The Throttle valve is fully opened when the engine is running. The valve is closed only to perform smooth engine stop when the ignition switch is turned OFF. A feedback sensor (Throttle Position Sensor – TPS) is also installed to ensure the ECM can detect the throttle plates position.

(Vacuum operated) Swirl Valves;

The swirl control valve is installed inside the manifold assembly. While idling and during low engine speed operation, the swirl control valve closes, thus the velocity of the air in the intake passage increases to produce a swirl (rush of air to promote cleaner burning when the fuel is injected into the air) into the combustion chamber. Once the engine speed increases to a certain speed, the valves open to allow more air to enter the engine. Further information regarding the components shown right can be found in section EM & EC of the Service Manual.

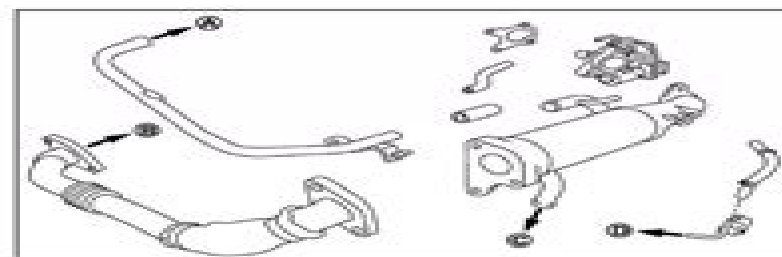
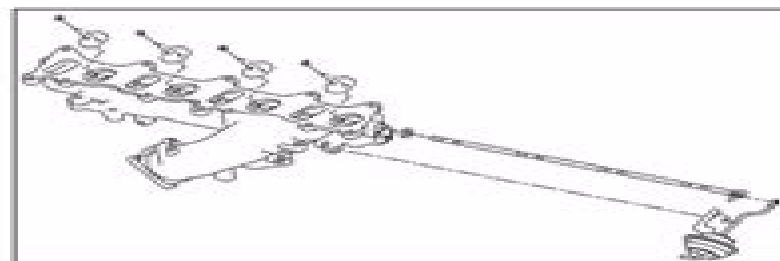
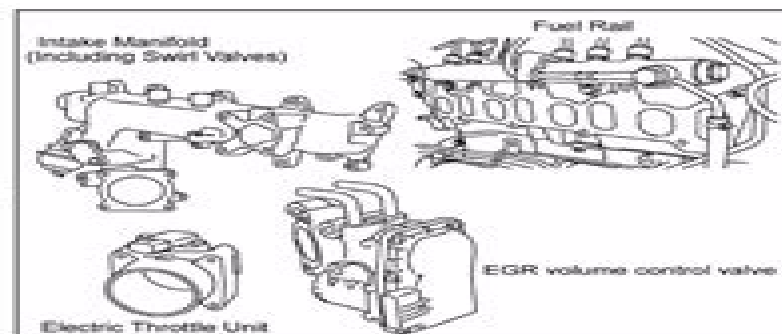
ZD30DDTi Exhaust Gas Recirculation (EGR) System

Major changes have occurred with the EGR system on the new ZD30 CRD engine.

The EGR volume control valve continues to be electrically controlled by the ECM, however it has a throttle valve arrangement & works in a similar way to an ETC unit found on current petrol engines.

The Pipe linking the exhaust manifold to the EGR control valve assembly is also water cooled as it is on R51 / D40 YD25 A/T models.

Further information regarding the components shown right can be found in section EM & EC of the Service Manual.



A, C, D: Engine Coolant

B: Exhaust Gases

Nissan Zd30 Manual En Francais

M Mosston



Nissan Zd30 Manual En Francer:

Moody's International Manual ,1995 **Outdoor Recreation** David Huddart,Tim Stott,2019-10-25 This textbook presents a comprehensive overview of the environmental impacts of various types of outdoor recreation and how these can be best managed As a field of study recreational ecology is both multidisciplinary and interdisciplinary and the authors seek to develop a deeper understanding of both the role and function of the factors that influence visitor numbers and their impact An accessible and comprehensive textbook it features numerous types of outdoor recreational activities including hill walking rock climbing mountain marathons skiing scuba diving and more Drawn from several global case studies the authors estimate the current and future numbers involved in outdoor recreation and how best these numbers can be managed Effective visitor impact management actions arise from collaboration between recreation ecologists social scientists experienced recreation managers recreation stakeholders and the recreationalists themselves as such this book will be multi disciplinary in scope This practical and engaging textbook will be invaluable to students and scholars of outdoor recreation and adventure tourism as well as practitioners and managers working in the field **Australian Books in Print** ,1990

Boletín judicial ,1984 Nissan Patrol Motor Co. Ltd Nissan,1977 **Nissan Patrol Model 160 Series Owner's Manual** ,1984 *Service Manual* ,1975 **Nissan Patrol and Ford Maverick Australian Automotive Repair Manual** Tim Imhoff,John Harold Haynes,2001-01-01 Nissan Patrol Series GQ 3 0 4 2 petrol 4 2 diesel Ford Maverick Series DA Petrol diesel models Does NOT cover UK Ford Maverick or Nissan Terrano **Nissan Patrol Ford Maverick 2. 8 and 4. 2 Litre Diesel 1988-1997** Universal Publishers,1993-04-01 **Nissan** Nissan (Tokyo), Nissan Nissan Europe, Nissan Owners Workshop Manual Peter G. Strasman,1986 **Nissan Model 160 & 61 Series** Nissan Motor Co., Ltd,1980

Nissan Model R 30 Series: Service manual Nissan Motor Company,1983 **Nissan Patrol, Ford Maverick Diesel 1988-1993** ,1993-07 *Nissan Patrol* ,1984 **HM Nissan Patrol 1988-1997 & Ford Maverick 1988-1994 Petrol & Diesel** ,2018-10-11 *Nissan Sunny Owners Workshop Manual* Ian Coomber,1991 **Nissan Audio Manual** Nissan Europe,1998 **Nissan Cedric Service Manual** Nissan Jidōsha Kabushiki Kaisha,1966*

Eventually, you will no question discover a new experience and exploit by spending more cash. yet when? complete you acknowledge that you require to get those all needs bearing in mind having significantly cash? Why dont you try to get something basic in the beginning? Thats something that will lead you to understand even more vis--vis the globe, experience, some places, in the same way as history, amusement, and a lot more?

It is your totally own get older to conduct yourself reviewing habit. in the middle of guides you could enjoy now is **Nissan Zd30 Manual En Francer** below.

https://crm.avenza.com/public/scholarship/Download_PDFS/Sesotho%20Grade12%20Paper%202014.pdf

Table of Contents Nissan Zd30 Manual En Francer

1. Understanding the eBook Nissan Zd30 Manual En Francer
 - The Rise of Digital Reading Nissan Zd30 Manual En Francer
 - Advantages of eBooks Over Traditional Books
2. Identifying Nissan Zd30 Manual En Francer
 - Exploring Different Genres
 - Considering Fiction vs. Non-Fiction
 - Determining Your Reading Goals
3. Choosing the Right eBook Platform
 - Popular eBook Platforms
 - Features to Look for in an Nissan Zd30 Manual En Francer
 - User-Friendly Interface
4. Exploring eBook Recommendations from Nissan Zd30 Manual En Francer
 - Personalized Recommendations
 - Nissan Zd30 Manual En Francer User Reviews and Ratings
 - Nissan Zd30 Manual En Francer and Bestseller Lists
5. Accessing Nissan Zd30 Manual En Francer Free and Paid eBooks

- Nissan Zd30 Manual En Francer Public Domain eBooks
 - Nissan Zd30 Manual En Francer eBook Subscription Services
 - Nissan Zd30 Manual En Francer Budget-Friendly Options
6. Navigating Nissan Zd30 Manual En Francer eBook Formats
 - ePub, PDF, MOBI, and More
 - Nissan Zd30 Manual En Francer Compatibility with Devices
 - Nissan Zd30 Manual En Francer Enhanced eBook Features
 7. Enhancing Your Reading Experience
 - Adjustable Fonts and Text Sizes of Nissan Zd30 Manual En Francer
 - Highlighting and Note-Taking Nissan Zd30 Manual En Francer
 - Interactive Elements Nissan Zd30 Manual En Francer
 8. Staying Engaged with Nissan Zd30 Manual En Francer
 - Joining Online Reading Communities
 - Participating in Virtual Book Clubs
 - Following Authors and Publishers Nissan Zd30 Manual En Francer
 9. Balancing eBooks and Physical Books Nissan Zd30 Manual En Francer
 - Benefits of a Digital Library
 - Creating a Diverse Reading Collection Nissan Zd30 Manual En Francer
 10. Overcoming Reading Challenges
 - Dealing with Digital Eye Strain
 - Minimizing Distractions
 - Managing Screen Time
 11. Cultivating a Reading Routine Nissan Zd30 Manual En Francer
 - Setting Reading Goals Nissan Zd30 Manual En Francer
 - Carving Out Dedicated Reading Time
 12. Sourcing Reliable Information of Nissan Zd30 Manual En Francer
 - Fact-Checking eBook Content of Nissan Zd30 Manual En Francer
 - Distinguishing Credible Sources
 13. Promoting Lifelong Learning
 - Utilizing eBooks for Skill Development

- Exploring Educational eBooks
14. Embracing eBook Trends
- Integration of Multimedia Elements
 - Interactive and Gamified eBooks

Nissan Zd30 Manual En Francer Introduction

Nissan Zd30 Manual En Francer Offers over 60,000 free eBooks, including many classics that are in the public domain. Open Library: Provides access to over 1 million free eBooks, including classic literature and contemporary works. Nissan Zd30 Manual En Francer Offers a vast collection of books, some of which are available for free as PDF downloads, particularly older books in the public domain. Nissan Zd30 Manual En Francer : This website hosts a vast collection of scientific articles, books, and textbooks. While it operates in a legal gray area due to copyright issues, its a popular resource for finding various publications. Internet Archive for Nissan Zd30 Manual En Francer : Has an extensive collection of digital content, including books, articles, videos, and more. It has a massive library of free downloadable books. Free-eBooks Nissan Zd30 Manual En Francer Offers a diverse range of free eBooks across various genres. Nissan Zd30 Manual En Francer Focuses mainly on educational books, textbooks, and business books. It offers free PDF downloads for educational purposes. Nissan Zd30 Manual En Francer Provides a large selection of free eBooks in different genres, which are available for download in various formats, including PDF. Finding specific Nissan Zd30 Manual En Francer, especially related to Nissan Zd30 Manual En Francer, might be challenging as theyre often artistic creations rather than practical blueprints. However, you can explore the following steps to search for or create your own Online Searches: Look for websites, forums, or blogs dedicated to Nissan Zd30 Manual En Francer, Sometimes enthusiasts share their designs or concepts in PDF format. Books and Magazines Some Nissan Zd30 Manual En Francer books or magazines might include. Look for these in online stores or libraries. Remember that while Nissan Zd30 Manual En Francer, sharing copyrighted material without permission is not legal. Always ensure youre either creating your own or obtaining them from legitimate sources that allow sharing and downloading. Library Check if your local library offers eBook lending services. Many libraries have digital catalogs where you can borrow Nissan Zd30 Manual En Francer eBooks for free, including popular titles. Online Retailers: Websites like Amazon, Google Books, or Apple Books often sell eBooks. Sometimes, authors or publishers offer promotions or free periods for certain books. Authors Website Occasionally, authors provide excerpts or short stories for free on their websites. While this might not be the Nissan Zd30 Manual En Francer full book , it can give you a taste of the authors writing style. Subscription Services Platforms like Kindle Unlimited or Scribd offer subscription-based access to a wide range of Nissan Zd30 Manual En Francer eBooks, including some popular titles.

FAQs About Nissan Zd30 Manual En Francer Books

What is a Nissan Zd30 Manual En Francer PDF? A PDF (Portable Document Format) is a file format developed by Adobe that preserves the layout and formatting of a document, regardless of the software, hardware, or operating system used to view or print it. **How do I create a Nissan Zd30 Manual En Francer PDF?** There are several ways to create a PDF: Use software like Adobe Acrobat, Microsoft Word, or Google Docs, which often have built-in PDF creation tools. **Print to PDF:** Many applications and operating systems have a "Print to PDF" option that allows you to save a document as a PDF file instead of printing it on paper. **Online converters:** There are various online tools that can convert different file types to PDF. **How do I edit a Nissan Zd30 Manual En Francer PDF?** Editing a PDF can be done with software like Adobe Acrobat, which allows direct editing of text, images, and other elements within the PDF. Some free tools, like PDFescape or Smallpdf, also offer basic editing capabilities. **How do I convert a Nissan Zd30 Manual En Francer PDF to another file format?** There are multiple ways to convert a PDF to another format: Use online converters like Smallpdf, Zamzar, or Adobe Acrobat's export feature to convert PDFs to formats like Word, Excel, JPEG, etc. Software like Adobe Acrobat, Microsoft Word, or other PDF editors may have options to export or save PDFs in different formats. **How do I password-protect a Nissan Zd30 Manual En Francer PDF?** Most PDF editing software allows you to add password protection. In Adobe Acrobat, for instance, you can go to "File" -> "Properties" -> "Security" to set a password to restrict access or editing capabilities. **Are there any free alternatives to Adobe Acrobat for working with PDFs?** Yes, there are many free alternatives for working with PDFs, such as: LibreOffice: Offers PDF editing features. PDFsam: Allows splitting, merging, and editing PDFs. Foxit Reader: Provides basic PDF viewing and editing capabilities. **How do I compress a PDF file?** You can use online tools like Smallpdf, ILovePDF, or desktop software like Adobe Acrobat to compress PDF files without significant quality loss. Compression reduces the file size, making it easier to share and download. **Can I fill out forms in a PDF file?** Yes, most PDF viewers/editors like Adobe Acrobat, Preview (on Mac), or various online tools allow you to fill out forms in PDF files by selecting text fields and entering information. **Are there any restrictions when working with PDFs?** Some PDFs might have restrictions set by their creator, such as password protection, editing restrictions, or print restrictions. Breaking these restrictions might require specific software or tools, which may or may not be legal depending on the circumstances and local laws.

Find Nissan Zd30 Manual En Francer :

sesotho grade12 paper 2014

sesotho paper 2 final exam grade 12014

service marketing by lovelock 4th edition powerpoint

[service tax on room rent in hotels](#)
[serway vuille college physics 9th solman answers](#)
[service manual samsung rf266](#)
[service manual sony dcr trv15 dcr trv17 digital camera recorder](#)
[service now system administrator training](#)
service manual v160 steris
[servsafe coursebook 5th edition](#)
[setangkai edelweiss monik 2](#)
[set rds on renault megane radio manual](#)
[servo motor tutorial arduino](#)
[service tax exemption limit 2011](#)
[service profit chain deutsch](#)

Nissan Zd30 Manual En Francais :

commonly missed line items in xactimate youtube - Apr 29 2022

web 2 most common xactimate codes 2020 04 18 most common xactimate codes downloaded from sql gocohospitality com by guest mya evelin rsmeans cost data

glossary a h xactware help - Dec 26 2021

web 21 hours ago draftkings promo code for notre dame fighting irish betting if you are looking for a low risk high reward first bet offer then draftkings promo code has you

common xactimate codes reversed flashcards by mark - Jun 12 2023

web study common xactimate codes reversed flashcards from mark harter s class online or in brainscape s iphone or android app learn faster with spaced repetition

10 most commonly used xactimate line items for water - Apr 10 2023

web count labl fauba snk rghfix tub s snkd tsfau swf au sl3 4 wbox dor dort masklf trim sorp dors swall trd 240 guta mbxp mbxr crm he paval frequently used items training

xactimate category and code samples top adjuster - Mar 09 2023

web 1 shingled roof most common in florida is the 3 tab shingled roof rfg 240 other common type dimensional or composition shingles rfg 300 see xactimate

common xactimate codes online flashcards by david watkins - Oct 04 2022

web feb 1 2021 by nick sharp did you know there are over 27 000 xactimate codes and counting each month xactimate code changes and added line items are added to the

missing line items important xactimate code changes of 2020 - Sep 03 2022

web xactimate codes part uaa1 direct it in air mover adapter selector wtr subcode walld this charge includes the air mover part hp plus fdp and hp 60 fdp

ios icons category codes xactware help - Dec 06 2022

web common xactimate codes to memorize xactmate codes for scoping and estimating xactimate codes mitigation no deck description has yet been added by the author

roofing user guide for xactimate wps cat - Jan 27 2022

web a common type of top rail that has a profile shaped like a loaf of bread see balustrade and top rail brick tie metal anchors installed to secure brick veneer to the exterior wall

xactimate codes injectidry - Aug 02 2022

web nov 14 2020 most common xactimate codes and cheats xactimate estimating software codes and descriptions here is a list of the codes and descriptions used in the

most common xactimate codes pdf download only brigham - Feb 25 2022

web activities remove and replace r detach and reset replace remove 1 shingled roof most common in florida is the 3 tab shingled roof rfg 240 other common

common xactimate codes flashcards by mark harter brainscape - May 11 2023

web study common xactimate codes flashcards from mark harter s class online or in brainscape s iphone or android app learn faster with spaced repetition

best denver broncos betting promo codes bonuses top - Aug 22 2021

web sep 11 2023 rate the pronunciation difficulty of xactimate 3 5 10 votes very easy easy moderate difficult very difficult pronunciation of xactimate with 3 audio

mostcommonxactimatecodes pdf academy robotistan - May 31 2022

web click this link to go and download your copy of the top 10 commonly missed items xm8mastery com top 10 missed line items

xactimate codes mitigation flashcards by mark harter brainscape - Jun 19 2021

xactimate xpert tip all about category and selector codes - Jul 13 2023

web aug 26 2020 xactimate xpert tip all about category and selector codes learn how to understand xactimate category and

selector codes to help you enter line items faster desktop version 1 19

5 ways to xactimate codes cheat sheet 2023 evnt - Feb 08 2023

web jan 8 2020 in this video you will learn all about activity codes in xactimate xactimate desktop version 1 19 703 1066

want to see other topics or have feedback let

[xactimate codes online flashcards by mark harter](#) - Nov 05 2022

web frequently used xactimate codes for 1 decks 28 flashcards 2 learners decks roofing and more more xactimate 1 decks 79 flashcards 4 learners

[how to pronounce xactimate howtopronounce com](#) - Jul 21 2021

web study xactimate codes mitigation flashcards from mark harter s class online or in brainscape s iphone or android app learn faster with spaced repetition

xactimate xpert tip all about xactimate activity codes - Jan 07 2023

web ios icons category codes updated 3 months ago by jill bowers appliances app appliances apm appliances major without install aps appliances small cleaning

most common xactimate codes sql gocohospitality com - Mar 29 2022

web apr 5 2023 we offer you this proper as without difficulty as simple way to get those all we manage to pay for most common xactimate codes pdf and numerous book collections

variables and category codes in xactimate online - Aug 14 2023

web access variables in xactimate online ios icons category codes rules by category code

[best alabama betting promo codes bonuses top crimson](#) - Sep 22 2021

web sep 14 2023 top broncos betting sites betmgm bet 10 get 200 in bonus bets instantly draftkings bet 5 get 200 in bonus bets instantly bet365 bet 1 get 365

[best new england patriots betting promo codes bonuses](#) - Oct 24 2021

web 20 hours ago draftkings promo code for alabama betting instantly receive 200 in bonus bets with just a 5 bet when signing up with draftkings promo code open a new

[best notre dame betting promo codes bonuses top fighting](#) - Nov 24 2021

web 1 day ago fanduel promo code for new england patriots betting if you use the fanduel promo code to create a new account you will receive a two for one welcome offer that

most common xactimate codes and cheats guidebook - Jul 01 2022

web most common xactimate codes 198 58 106 42 most common xactimate codes 3 9 downloaded from 198 58 106 42 on november 9 2022 by guest 2014 04 27 premiums

aci 318 11 topic american concrete institute - Nov 06 2022

web sep 1 2022 aci code 318 11 building code requirements for structural concrete and commentary aci code 350 20 code requirements for environmental engineering concrete structures aci 350 20 and commentary aci 350r 20 sp 004 8th formwork for concrete transition key 318 11 to 318 14 and 318 2 14 transition key

aci 318s 11 building code requirements for structural scribd - Aug 03 2022

web jan 29 2014 read aci 318s 11 building code requirements for structural concrete and commentary by american concrete institute aci with a free trial read millions of ebooks and audiobooks on the web ipad iphone and android

airbus a318 havayolu 101 - Dec 27 2021

web aug 20 2012 airbus a318 airbus a318 kısa orta menzilli çift motorlu dar gövdeli bir jet yolcu uçağıdır airbus ın a320 ailesinin en küçük üyesidir a318 projesi 1990 lı yılların ortasında geliştirilmeye başlanmıştır yeni uçağın ilk deneme uçuşu 15 ocak 2002 tarihinde gerçekleştirilmiştir temmuz 2003 te frontier

building code requirements for structural concrete aci 318 11 - Jul 14 2023

web building code requirements for structural concrete aci 318 11 and commentary this publication code covers the materials design and construction of structural concrete used in buildings and where applicable in nonbuilding structures

aci 318 11 kombinasyonları yükü skyciv mühendisliği - Aug 15 2023

web mar 8 2022 birleşik devletlerde aci 318 11 malzemeleri kapsar tasarım ve binalarda ve uygulanabilir yapı dışı yapılarda kullanılan yapısal betonun inşası ayrıca halihazırda mevcut olan beton yapılar için dayanım değerlendirmesini de kapsar bölüm 9 kod yapısal elemanların sağlamlık ve hizmete elverişlilik gereksinimlerini detaylandırır

aci 318m 11 building code requirements for structural concrete aci 318m 11 - Jul 02 2022

web this standard covers the proper design and construction of concrete structures which form part of a nuclear power plant and which have nuclear safety related functions but does not cover concrete reactor vessels and concrete containment structures as defined by aci asme committee 359

318 building code topic american concrete institute - Sep 04 2022

web aug 29 2023 aci 318 building code requirements for structural concrete and commentary is the document that presents the code requirements for design and construction of structural concrete that are necessary to ensure public safety

aci 318s 11 pdf pdf scribd - Dec 07 2022

web aci 318s 11 pdf pdf 0 ratings 98 views 549 pages aci 318s 11 pdf original title aci 318s 11 pdf uploaded by yoan rifo valle copyright all rights reserved available formats download as pdf or read online from scribd flag for inappropriate content save 0 0 embed share print download now of 549 back to top about about scribd press

aci 318 building code portal american concrete institute - Feb 09 2023

web aci 318 plus is an entirely new annual subscription that provides users with convenient digital interactive access to aci code 318 19 building code requirements for structural concrete and commentary the aci detailing manual and the numerous design examples in the aci reinforced concrete design handbook access aci 318 plus

318 11 building code requirements for structural concrete and - Mar 10 2023

web aci 318 11 building code requirements for structural concrete aci 318 11 an aci standard and commentary reported by aci committee 318 first

eksenel yük altındaki lifli polimer İle sargılı dairesel enkesitli - Jan 28 2022

web aci 318 19 yönetmeliğinde eksenel yük etkisindeki donatısız kolonlar ve etriyeli kolonlar için dayanım azaltma katsayısının değerleri sırasıyla 0 60 ve 0 65 olarak önerilmiştir Çalışma sonucunda lifli polimerle güçlendirilmiş kolonlar için aci 318 19 yönetmeliğinde önerilen dayanım azaltma katsayısı değerleri farklı varyasyon katsayıları iç

free reinforced concrete publications cement - Jun 01 2022

web this new fourth edition presents practicing engineers with time saving analysis design and detailing methods of primary framing members of a reinforced concrete building revised and updated to aci 318 11 it incorporates seismic and wind load provisions to comply with the international building code 2009 ibc

building code requirements for structural concrete aci 318 11 - Jan 08 2023

web 503 pages 28 cm an aci standard cover aci 318 11 was adopted as a standard of the american concrete institute may 24 2011 to supersede aci 318 08 in accordance with the institute s standardization procedure page 1 introduction general requirements notation and definitions materials durability requirements concrete

aci 318 11 load combinations skyciv engineering - May 12 2023

web mar 8 2022 a guide to load combinations for aci 318 11 and aci 318 19 in the united states aci 318 11 covers the materials design and construction of structural concrete used in buildings and applicable nonbuilding structures it also covers the evaluation of strength for concrete structures that already exist

chapter 11 walls california structural concrete code 2014 - Mar 30 2022

web codes california structural concrete code 2014 adopts with amendments aci 318 2014 code compare chapter 1 general chapter 2 notation and terminology chapter 3 referenced standards chapter 4 structural system requirements chapter 5 loads chapter 6 structural analysis chapter 7 one way slabs chapter 8 two way slabs chapter 9

significant changes from the 2011 to the 2014 edition of aci 318 - Feb 26 2022

web aci 318 11 following initial chapters on materials and construction aspects dealt with analysis and design and strength and serviceability requirements in two succeeding

shallow embedded anchors american concrete institute - Apr 30 2022

web 318 14 chapter 17 1 provides design requirements for anchors in concrete used to transmit structural loads between connected structural elements or safety related attachments and structural elements provided that they are used correctly these provisions result in safe and economical solutions for fastenings and connections

aci 318 11 code implementation bentley systems - Oct 05 2022

web aci318 11 asce 7 live load factors aci 318 11 material behaviors concrete behavior non prestressed reinforcement behavior bonded prestressed reinforcement behavior unbonded prestressed reinforcement behavior aci 318 11 code rule selection code minimum reinforcement user minimum reinforcement initial service service

aci 318 11 to aci 318 14 and aci 318 2 14 building code - Apr 11 2023

web the code was mostly rewritten in the process of the reorganization thus the exact wording and context will not be the same at the new location also the reorganization changed headings introductions scopes and pointers used in aci 318 11 that no longer work in aci 318 14 technical changes occurred that have altered or deleted requirements

pdf aci 318 11 free download pdf epdfx com - Jun 13 2023

web aci 318 11 aci 318 11 click the start the download download pdf report this file description aci 318 11 account 157 55 39 239 login register search search partner sites youtube to mp3 converter about us this project started as a student project in 2014 and was presented in 2017 every aspect of the internet we believe ought to be free

ice drift by taylor theodore fine hardcover 2005 first - Feb 16 2022

web abebooks com ice drift orlando harcourt inc 2005 fine in fine dust jacket 2005 first edition hardcover 0152050817 first edition summary two inuit brothers must fend for themselves while stranded on an ice floe that is adrift in the greenland strait set in 1868 224 pages frontispiece map

ice drift theodore taylor google books - May 02 2023

web the year is 1868 and fourteen year old alika and his younger brother sulu are hunting for seals on an ice floe attached to their island in the arctic suddenly the ice starts to shake and they hear a loud crack the terrible sound of the floe breaking free from land

ice drift paperback taylor theodore amazon com tr - Jul 04 2023

web ice drift paperback taylor theodore amazon com tr Çerez tercihlerinizi seçin alışveriş deneyiminizi geliştirmek hizmetlerimizi sunmak müşterilerin hizmetlerimizi nasıl kullandığını anlayarak iyileştirmeler yapabilmek ve tanıtımları gösterebilmek için çerezler ve benzeri araçları kullanmaktayız

editions of ice drift by theodore taylor goodreads - Dec 29 2022

web editions for ice drift 0152055509 paperback published in 2006 0152050817 hardcover published in 2005 kindle edition published in 2006 015205749 home my books

ice drift by theodore taylor overdrive ebooks audiobooks - Oct 27 2022

web mar 1 2006 isbn 9780152055509 author theodore taylor publisher harpercollins release 01 march 2006 subjects juvenile fiction juvenile literature find this title in libby the library reading app by overdrive search for a digital library with this title search by city zip code or library name learn more about precise location detection

ice drift by theodore taylor goodreads - Oct 07 2023

web jan 1 2005 420 ratings69 reviews the year is 1868 and fourteen year old alika and his younger brother sulu are hunting for seals on an ice floe attached to their island in the arctic suddenly the ice starts to shake and they hear a loud crack the terrible sound of the floe breaking free from land

ice drift taylor theodore 9780152055509 amazon com books - Apr 01 2023

web mar 1 2006 learn more

ice drift by theodore taylor fable stories for everyone - May 22 2022

web the year is 1868 and fourteen year old alika and his younger brother sulu are hunting for seals on an ice floe attached to their island in the arctic suddenly the ice starts to shake and they hear a loud crack the terrible sound of the floe breaking free from land

ice drift taylor theodore 9780152055509 books amazon ca - Nov 27 2022

web mar 1 2006 suddenly the ice starts to shake and they hear a loud crack the terrible sound of the floe breaking free from land the boys watch with horror as the dark expanse of water between the ice and the shore rapidly widens and they start drifting south away from their home their family and everything they ve ever known

ice drift taylor theodore 1921 free download borrow and - Aug 05 2023

web in 1863 two young inuits fourteen year old alika and his younger brother sulu must fend for themselves during the six months they are stranded on an ice floe drifting south from ellesmere island towards the greenland strait

ice drift historical novel society - Sep 25 2022

web ice drift written by theodore taylor review by juliet waldron ice drift is based on a true story of survival from the 1860s two inuit brothers alika and sulu are hunting seals on an ice floe when it suddenly breaks free leaving them floating far from shore

ice drift 9780152055509 9780547540610 vitalsource - Mar 20 2022

web ice drift is written by theodore taylor and published by clarion books the digital and etextbook isbns for ice drift are 9780547540610 0547540612 and the print isbns are 9780152055509 0152055509 save up to 80 versus print by going digital with vitalsource additional isbns for this etextbook include 9780152050818

ice drift by theodore taylor paperback barnes noble - Jun 22 2022

web mar 1 2006 recently viewed the year is 1868 and fourteen year old alika and his younger brother sulu are hunting for seals on an ice floe attached to their island in the arctic suddenly the ice starts to shake and they hear a loud crack the terrible sound of the floe breaking free from land

ice drift kirkus reviews - Feb 28 2023

web jan 1 2005 ice drift by theodore taylor release date jan 1 2005 when a 50 foot high iceberg crashes into their ice floe 14 year old alika and his younger brother sulu are separated from land and home

ice drift taylor theodore 9780152050818 abebooks - Jan 30 2023

web suddenly the ice starts to shake and they hear a loud crack the terrible sound of the floe breaking free from land the boys watch with horror as the dark expanse of water between the ice and the shore rapidly widens and they start drifting south away from their home their family and everything they ve ever known

ice drift taylor theodore 9780152050818 amazon com books - Sep 06 2023

web jan 1 2005 suddenly the ice starts to shake and they hear a loud crack the terrible sound of the floe breaking free from land the boys watch with horror as the dark expanse of water between the ice and the shore rapidly widens and they start drifting south away from their home their family and everything they ve ever known

ice drift taylor iii theodore amazon co uk books - Aug 25 2022

web mar 1 2006 the boys watch with horror as the dark expanse of water between the ice and the shore rapidly widens and they start drifting south away from their home their family and everything they ve ever known

biblio ice drift by theodore taylor paperback 2006 03 01 - Apr 20 2022

web mar 1 2006 the boys watch with horror as the dark expanse of water between the ice and the shore rapidly widens and they start drifting south away from their home their family and everything they ve ever known

ice drift theodore taylor google books - Jun 03 2023

web mar 1 2006 ice drift theodore taylor harpercollins mar 1 2006 juvenile fiction 240 pages the year is 1868 and fourteen year old alika and his younger brother sulu are hunting for seals on an

9780152055509 ice drift by taylor iii theodore abebooks - Jul 24 2022

web 9780152055509 ice drift by taylor iii theodore 55 results you searched for isbn 9780152055509 edit your search