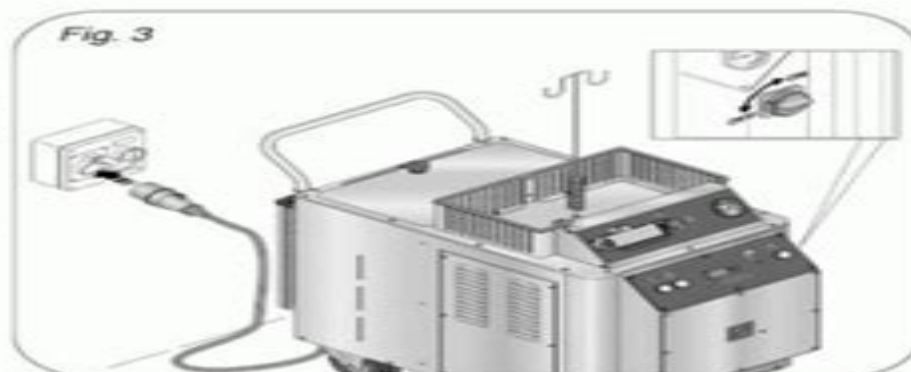
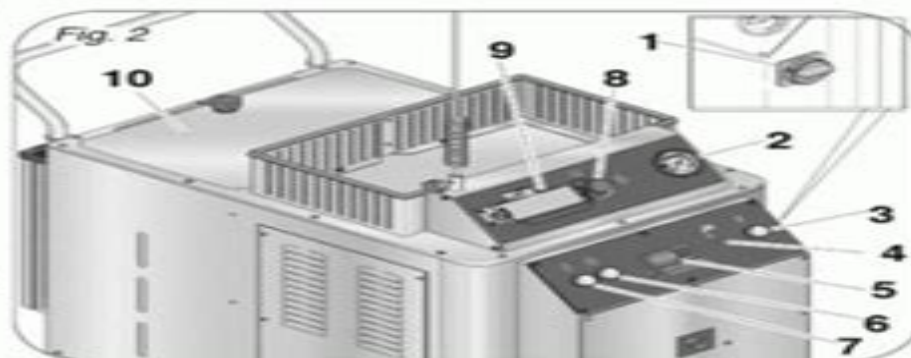




4. PREPARATION & USE

CONTROLS & MAIN PARTS

1. General Switch
2. Pressure Guage
3. General Switch Signal Lamp
4. No-water Signal Lamp and Water-filling Signal Lamp
5. Temperature Indicator / Thermoregulator
6. Vapor Delivery Control Switch
7. General Switch for Pump-heater feeding
8. Vapor Delivery Regulator
9. Flexible Hose Socket
10. Water and Detergent Compartment



PREPARATION

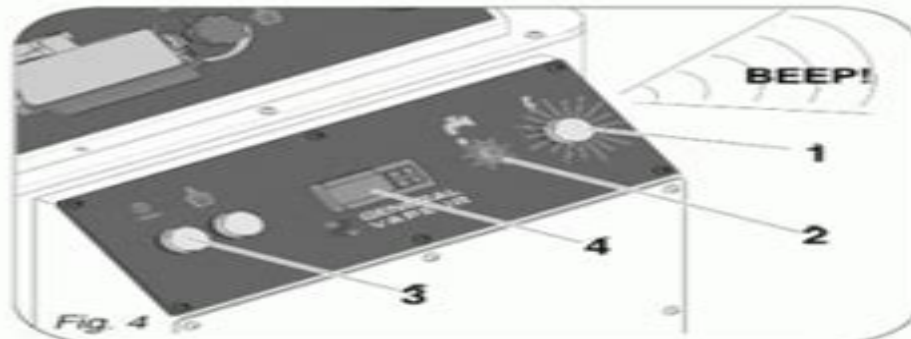
Plug machine into appropriate electrical socket. It requires a THREE-PHASE 440V-50HZ connection (Fig. 3).

NOTE: Manufacturer not liable for any damage caused by operation with voltage values not compliant with those indicated.

Turn on machine by turning the general switch, located on the side of the control panel (Fig.3) to the "On" position. The signal lamp (1-Fig. 4) on the control panel indicates that machine is feeding correctly.

Low water level in the tank is indicated by the no-water signal lamp (2-Fig. 4) and an acoustic sound signal.

With machine is "On", pump-heater feeding (3-Fig 4) begins: the temperature display (4-Fig. 4) will blink for 4-5-seconds. When it turns solid, it indicates the internal boiler temperature is set. The signal lamp (2-Fig. 4) will turn on for approx. 2 seconds and then turns off.



Royal Model 60 Instruction Manual

Anthony S. Fauci



Royal Model 60 Instruction Manual:

Yeah, reviewing a book **Royal Model 60 Instruction Manual** could amass your close associates listings. This is just one of the solutions for you to be successful. As understood, skill does not recommend that you have astonishing points.

Comprehending as competently as concurrence even more than supplementary will provide each success. bordering to, the declaration as competently as insight of this Royal Model 60 Instruction Manual can be taken as without difficulty as picked to act.

https://crm.avenza.com/results/uploaded-files/Documents/Psychology_8th_Edition_In_Modules.pdf

Table of Contents Royal Model 60 Instruction Manual

1. Understanding the eBook Royal Model 60 Instruction Manual
 - The Rise of Digital Reading Royal Model 60 Instruction Manual
 - Advantages of eBooks Over Traditional Books
2. Identifying Royal Model 60 Instruction Manual
 - Exploring Different Genres
 - Considering Fiction vs. Non-Fiction
 - Determining Your Reading Goals
3. Choosing the Right eBook Platform
 - Popular eBook Platforms
 - Features to Look for in an Royal Model 60 Instruction Manual
 - User-Friendly Interface
4. Exploring eBook Recommendations from Royal Model 60 Instruction Manual
 - Personalized Recommendations
 - Royal Model 60 Instruction Manual User Reviews and Ratings
 - Royal Model 60 Instruction Manual and Bestseller Lists
5. Accessing Royal Model 60 Instruction Manual Free and Paid eBooks
 - Royal Model 60 Instruction Manual Public Domain eBooks

- Royal Model 60 Instruction Manual eBook Subscription Services
- Royal Model 60 Instruction Manual Budget-Friendly Options
- 6. Navigating Royal Model 60 Instruction Manual eBook Formats
 - ePub, PDF, MOBI, and More
 - Royal Model 60 Instruction Manual Compatibility with Devices
 - Royal Model 60 Instruction Manual Enhanced eBook Features
- 7. Enhancing Your Reading Experience
 - Adjustable Fonts and Text Sizes of Royal Model 60 Instruction Manual
 - Highlighting and Note-Taking Royal Model 60 Instruction Manual
 - Interactive Elements Royal Model 60 Instruction Manual
- 8. Staying Engaged with Royal Model 60 Instruction Manual
 - Joining Online Reading Communities
 - Participating in Virtual Book Clubs
 - Following Authors and Publishers Royal Model 60 Instruction Manual
- 9. Balancing eBooks and Physical Books Royal Model 60 Instruction Manual
 - Benefits of a Digital Library
 - Creating a Diverse Reading Collection Royal Model 60 Instruction Manual
- 10. Overcoming Reading Challenges
 - Dealing with Digital Eye Strain
 - Minimizing Distractions
 - Managing Screen Time
- 11. Cultivating a Reading Routine Royal Model 60 Instruction Manual
 - Setting Reading Goals Royal Model 60 Instruction Manual
 - Carving Out Dedicated Reading Time
- 12. Sourcing Reliable Information of Royal Model 60 Instruction Manual
 - Fact-Checking eBook Content of Royal Model 60 Instruction Manual
 - Distinguishing Credible Sources
- 13. Promoting Lifelong Learning
 - Utilizing eBooks for Skill Development
 - Exploring Educational eBooks

14. Embracing eBook Trends

- Integration of Multimedia Elements
- Interactive and Gamified eBooks

Royal Model 60 Instruction Manual Introduction

Royal Model 60 Instruction Manual Offers over 60,000 free eBooks, including many classics that are in the public domain. Open Library: Provides access to over 1 million free eBooks, including classic literature and contemporary works. Royal Model 60 Instruction Manual Offers a vast collection of books, some of which are available for free as PDF downloads, particularly older books in the public domain. Royal Model 60 Instruction Manual : This website hosts a vast collection of scientific articles, books, and textbooks. While it operates in a legal gray area due to copyright issues, its a popular resource for finding various publications. Internet Archive for Royal Model 60 Instruction Manual : Has an extensive collection of digital content, including books, articles, videos, and more. It has a massive library of free downloadable books. Free-eBooks Royal Model 60 Instruction Manual Offers a diverse range of free eBooks across various genres. Royal Model 60 Instruction Manual Focuses mainly on educational books, textbooks, and business books. It offers free PDF downloads for educational purposes. Royal Model 60 Instruction Manual Provides a large selection of free eBooks in different genres, which are available for download in various formats, including PDF. Finding specific Royal Model 60 Instruction Manual, especially related to Royal Model 60 Instruction Manual, might be challenging as theyre often artistic creations rather than practical blueprints. However, you can explore the following steps to search for or create your own Online Searches: Look for websites, forums, or blogs dedicated to Royal Model 60 Instruction Manual, Sometimes enthusiasts share their designs or concepts in PDF format. Books and Magazines Some Royal Model 60 Instruction Manual books or magazines might include. Look for these in online stores or libraries. Remember that while Royal Model 60 Instruction Manual, sharing copyrighted material without permission is not legal. Always ensure youre either creating your own or obtaining them from legitimate sources that allow sharing and downloading. Library Check if your local library offers eBook lending services. Many libraries have digital catalogs where you can borrow Royal Model 60 Instruction Manual eBooks for free, including popular titles. Online Retailers: Websites like Amazon, Google Books, or Apple Books often sell eBooks. Sometimes, authors or publishers offer promotions or free periods for certain books. Authors Website Occasionally, authors provide excerpts or short stories for free on their websites. While this might not be the Royal Model 60 Instruction Manual full book , it can give you a taste of the authors writing style. Subscription Services Platforms like Kindle Unlimited or Scribd offer subscription-based access to a wide range of Royal Model 60 Instruction Manual eBooks, including some popular titles.

FAQs About Royal Model 60 Instruction Manual Books

1. Where can I buy Royal Model 60 Instruction Manual books? Bookstores: Physical bookstores like Barnes & Noble, Waterstones, and independent local stores. Online Retailers: Amazon, Book Depository, and various online bookstores offer a wide range of books in physical and digital formats.
2. What are the different book formats available? Hardcover: Sturdy and durable, usually more expensive. Paperback: Cheaper, lighter, and more portable than hardcovers. E-books: Digital books available for e-readers like Kindle or software like Apple Books, Kindle, and Google Play Books.
3. How do I choose a Royal Model 60 Instruction Manual book to read? Genres: Consider the genre you enjoy (fiction, non-fiction, mystery, sci-fi, etc.). Recommendations: Ask friends, join book clubs, or explore online reviews and recommendations. Author: If you like a particular author, you might enjoy more of their work.
4. How do I take care of Royal Model 60 Instruction Manual books? Storage: Keep them away from direct sunlight and in a dry environment. Handling: Avoid folding pages, use bookmarks, and handle them with clean hands. Cleaning: Gently dust the covers and pages occasionally.
5. Can I borrow books without buying them? Public Libraries: Local libraries offer a wide range of books for borrowing. Book Swaps: Community book exchanges or online platforms where people exchange books.
6. How can I track my reading progress or manage my book collection? Book Tracking Apps: Goodreads, LibraryThing, and Book Catalogue are popular apps for tracking your reading progress and managing book collections. Spreadsheets: You can create your own spreadsheet to track books read, ratings, and other details.
7. What are Royal Model 60 Instruction Manual audiobooks, and where can I find them? Audiobooks: Audio recordings of books, perfect for listening while commuting or multitasking. Platforms: Audible, LibriVox, and Google Play Books offer a wide selection of audiobooks.
8. How do I support authors or the book industry? Buy Books: Purchase books from authors or independent bookstores. Reviews: Leave reviews on platforms like Goodreads or Amazon. Promotion: Share your favorite books on social media or recommend them to friends.
9. Are there book clubs or reading communities I can join? Local Clubs: Check for local book clubs in libraries or community centers. Online Communities: Platforms like Goodreads have virtual book clubs and discussion groups.
10. Can I read Royal Model 60 Instruction Manual books for free? Public Domain Books: Many classic books are available for free as they're in the public domain. Free E-books: Some websites offer free e-books legally, like Project Gutenberg or Open Library.

Find Royal Model 60 Instruction Manual :

psychology 8th edition in modules

psc departmental test answer key

~~ps vita games black ops~~

prototrak mx2 programing manuell

psb smanpurworejo th 2015 2016

psalm 23 kids short story

provide excellent customer service

proview pro758 manual

psr 78 manual

psychiatry templates progress notes

~~protist webquest with answers~~

~~protego ru tiggo manual~~

protect and fur 3xtasy lake 5 siren publishing menage everlasting

proverbes japonais un monde de proverbes t

~~psychiatric nursing 6e~~

Royal Model 60 Instruction Manual :

individual development plan 14 idp templates examples - Oct 07 2023

web feb 15 2023 an individual development plan idp is a collaborative document between a manager and an employee to define career goals and map out how to learn new skills or improve current ones it matches an employee s strengths and

top 10 individual development plan templates with samples examples - Jul 04 2023

web nov 29 2022 1 employee profiling it includes basic information about the employee like name position key

responsibilities kra salary professional history etc 2 career goals and objectives includes the employee s current job goals target and achievement dates

individual development plan template examples for leaders - Jun 03 2023

web apr 12 2023 in this article we ll first explain what is an individual development plan idp then we ll go over the process of creating an individual development plan step by step lastly we ll include an individual development plan template and examples for you to adapt for your team

11 personal development plan templates printables for 2023 - May 22 2022

web jul 21 2022 each box has sufficiently space for writing the specific goals you re what on as well as additional details with this screen you can access your self improvement plans at an glance individual development planned template 3

general individual development plan idp template - Dec 29 2022

web general individual development plan idp template individual development plans idps are a great way for you to plan out how you will develop professionally and prepare for the next steps in your career an idp should be flexible enough to suit your interests and personal working style and it should be rigid enough to ensure that you make

free professional development plan template 2023 asana - Nov 27 2022

web use the template to evaluate employee s performance and create an individual professional development plan with key action items and deadlines this creates a set timeframe for when and how the individual will improve which will better help their overall employee performance connect with human resources

how to create an individual development plan template with examples - Jan 30 2023

web aug 29 2023 how to create an individual development plan template with examples an individual development plan idp is a valuable tool for employers to help their employees achieve their professional goals bonus claim your free template

individual development plan with template and example indeed - Aug 05 2023

web mar 9 2021 individual development plan with template and example an individual development plan is one of the tools employers can use to help employees improve their job performance and achieve their career goals with external encouragement

what is an individual development plan idp huneety - Jul 24 2022

web what is an idp to put it simply an individual development plan idp is an action plan that supports competency development the ultimate objective of an idp is to assist employees in achieving their career objectives on time a powerful tool supporting performance and retention

50 professional development plan templates free - Mar 20 2022

web here are the steps to create your own professional development plan self analysis knowing about your own life is totally different from actually planning it to make your professional development plan template you must have both the drive and desire to achieve greatness

10 free development plan templates for teams clickup - Sep 25 2022

web october 13 2023 9min read whether you re in human resources a business leader or a manager your team is a top priority investing time and effort to ensure their success means happier employees it also leads to more significant achievements at the company level

free professional development plan template and guide for 2024 - Jun 22 2022

web nov 2 2023 a professional development plan pdp template is a standardized and structured framework that ensures consistency and clarity in managing employee growth and learning and aligns individual developmental goals with organizational objectives paving the way for mutual success

23 individual development plan templates free sample - Feb 16 2022

web there are a lot of ways that an individual could make a development sample plan some would rely on a free simple plan template while others would use personal development plan templates that allows them to tailor fit the basic plan to meet their criteria

download excel spreadsheet employee development plan - Feb 28 2023

web this easy to use individual development plan template saves you time setting up a structure yourself set specific measurable achievable relevant and time bound goals with the smart goal framework track progress and measure success with clear focus areas and concrete actions stay on track with clear deadlines and budgets

guide to individual development plan template i peoplebox - Sep 06 2023

web oct 5 2023 what is an individual development plan an individual development plan idp is a framework that is tailored to suit each employee and guide their personal and professional growth it helps individuals create a clear and actionable plan for driving growth an idp also helps in filling the skill gaps that are accessed during the process

11 personal development plan templates printables for 2023 - May 02 2023

web jul 21 2022 three reasons why you need a personal development plan the components of a personal development plan 11 best personal development plan templates and printables 1 personal development plan for self improvement 2 personal development plan areas of life 3 pdp presentation template 4 simple

individual development plan template helloezra com - Oct 27 2022

web jul 18 2023 click the download button to get your free individual development plan excel template what is an individual development plan as the name suggests an individual development plan is a plan to assist employees in their personalized development to achieve long and short term goals as well as developing skills to

12 inspiring employee development plan examples templates - Aug 25 2022

web development plan templates the easiest way to get started is by using our career development plan templates they combine the best of above worlds without requiring too much effort option 1 excel template

individual development plan examples templates status net - Apr 01 2023

web an individual development plan idp is a tool designed to help you identify your professional development needs and set clear goals for personal growth idps can improve your overall job satisfaction and performance and they are often used by

employers to support employee development and retention

what is an individual development plan complete guide with examples - Apr 20 2022

web sep 29 2023 navigating the intricate landscape of personal and professional growth an individual development plan template idp emerges as a strategic compass for individuals across various industries this comprehensive guide unveils the essence of individual development plan transcending industries by delving into their

diagrama eléctrico chevrolet cavalier 1997 descarg - Jan 05 2023

web el diagrama eléctrico automotriz te incluye la gráfica de los siguientes componentes pin data computadora del auto ecm modulo de control del motor airbag modulo de control de bolsas de aire abs frenos antibloqueo tablero de instrumentos distribucion de energia distribucion de tierra interbloqueo de cambios

diagrama eléctrico chevrolet cavalier 2004 descarg - Mar 07 2023

web en el diagrama chevrolet cavalier 2 2l 2004 encontrarás todas las conexiones sensores y otros componentes que intervienen en el funcionamiento correcto de los circuitos electrónicos también llamados en inglés wiring diagram

diagrama eléctrico chevrolet cavalier 2 2l 2000 - Apr 08 2023

web en el diagrama chevrolet cavalier 2 2l 2000 encontrarás todas las conexiones sensores y otros componentes que intervienen en el funcionamiento correcto de los circuitos electrónicos también llamados en inglés wiring diagram

cavalier 1994 2 2 pdf scribd - Jul 31 2022

web feb 2 1994 diagrama eléctrico cavalier copyright all rights reserved formatos disponibles descargue como pdf txt o lea en línea desde scribd marcar por contenido inapropiado descargar ahora de 2 1994 chevrolet cavalier system wiring diagrams fig 5 2 2l vin 4 engine performance circuits 1 of 2 miércoles 04 de septiembre

diagrama eléctrico chevrolet cavalier 2 4l 2000 - Feb 23 2022

web en el diagrama chevrolet cavalier 2 4l 2000 encontrarás todas las conexiones sensores y otros componentes que intervienen en el funcionamiento correcto de los circuitos electrónicos también llamados en inglés wiring diagram

diagrama eléctrico chevrolet cavalier 1996 descarg - Jul 11 2023

web en el diagrama chevrolet cavalier 2 2l 1996 encontrarás todas las conexiones sensores y otros componentes que intervienen en el funcionamiento correcto de los circuitos electrónicos también llamados en inglés wiring diagram

resultados de búsqueda para cavalier diagramasde com diagramas - May 29 2022

web diagramas cavalier 2 2 1997 2000 gif autos detalles sobre cavalier 2 2 1997 2000 gif archivo ct 2025 zip tipo televisores tv modelo ct 2025r formato archivo comprimido con extencion zip se abre con winrar tamaño 2 79 mb descripción tv panasonic ct 2025r chasis n2 comentarios desactivados

diagrama electrico cavalier pdf hatchbacks general - Dec 04 2022

web de 13 1998 chevrolet cavalier 1998 system wiring diagrams chevrolet cavalier engine performance 2 2l windows ue
miércoles 03 de noviembre de 2010 07 35 41 07 35 30 p m page 1 2005 mitchell repair information company llc f 1998
chevrolet cavalier 1998 system wiring diagrams chevrolet cavalier windows ue

diagrama electrico cavalier old vulkk - Mar 27 2022

web 2 diagrama electrico cavalier 2020 02 11 astronomers who have been colleagues and friends providing a stimulating
view of a woman in science about the author since 1965 vera rubin has been a staff member at the department of terrestrial
magnetism of the carnegie institution of washington

diagrama eléctrico chevrolet cavalier 1997 2 4 diagramas electricos - Sep 13 2023

web con el diagrama chevrolet cavalier 1997 encontrarás todas las conexiones los sensores los swiches y otros componentes
que intervienen en el funcionamiento correcto de los circuitos electrónicos o como comúnmente se conoce en inglés como
wiring diagram específicamente de la marca chevrolet modelo cavalier

diagrama de fusibles de chevrolet cavalier 1983 1994 - Feb 06 2023

web jan 25 2022 diagrama de caja de fusibles disposición de fusibles ubicación y asignación de fusibles chevrolet cavalier
1983 1984 1985 1986 1987 1988 1989 1990 1991 1992 1993 1994 comprobación y sustitución de fusibles

manual cavalier 1993 chevrolet de taller automanuales mx - Nov 03 2022

web en este manual chevrolet cavalier 1993 reparación se incluyen los procedimientos de reparación de fallas se integra el
ajuste remoción e instalación ensamble y desarmado de todos los componentes y sistemas del vehículo así como el
diagnóstico de fallas del sistema e c c s con obd y obdii

diagrama eléctrico chevrolet cavalier 1997 2 2 diagramas electricos - Jun 10 2023

web con el diagrama chevrolet cavalier 1997 encontrarás todas las conexiones los sensores los swiches y otros componentes
que intervienen en el funcionamiento correcto de los circuitos electrónicos o como comúnmente se conoce en inglés como
wiring diagram específicamente de la marca chevrolet modelo cavalier

diagramas eléctricos chevrolet cavalier descarga pdf - Aug 12 2023

web accede a los diagramas eléctricos automotrices chevrolet cavalier en formato pdf descarga ahora

diagrama electrico o manual cavalier 1995 2 2 4cl foromecanicos - Sep 01 2022

web aug 30 2021 cava95 hola bonita noche si alguien pudiera ayudarme con un manual o diagrama electrico para saber que
voltages tiene y como trabaja cada sensor espero exista algo por el estilo es un cavalier 95 2 2 tapa rayada

diagramas chevrolet camaro cavalier corvette 1998 - Oct 02 2022

web diagramas chevrolet camaro cavalier corvette 1998 diagramas especificos que representan el circuito que controla el
funcionamiento del motor q ue es un diagrama para que sirve un diagrama electrico automotriz

diagrama electrico cavalier - Apr 27 2022

web diagrama electrico cavalier downloaded from implantes odontocompany com by guest stokes mahoney chilton s volkswagen air cooled legare street press this third edition provides the basics for introductory courses on plant physiology without sacrificing the more challenging material sought by upper division and graduate level students

chevrolet cavalier diagramas electricos opinautos - Jun 29 2022

web diagramas electricos chevrolet cavalier 2002 4 puertas ls standar vin 4 258333 kms motor cableado arranque llave de encendido tengo desconectado el arranque motor el cilindro de la llave de encendido y la caja de los relays ubicada en el cofre y necesito el digrama ddel cableado es un cavalier2 2 2002 trans manual gracias si alguien me

chevrolet cavalier 2 2 wiring diagram pdf scribd - Oct 14 2023

web chevrolet cavalier 2 2 wiring diagram free download as pdf file pdf or read online for free diagramas chevrolet cavalier 2 2

cavalier 98 2 2l y 2 4l pdf club de diagramas - May 09 2023

web cavalier 98 2 2l y 2 4l pdf diagramas y manuales de servicio para descargar club de diagramas 142692 diagramas para descargar 142692 diagramas para motores electricos 25 notebooks y netbooks 174 osciloscopio 11 otros 3047 palms agendas electronicas 91 planchas 9 plc 120 programador de pic s 35

muskelaufbau für berufstätige das maximal system mit nur vier - Nov 06 2022

web muskelaufbau für berufstätige das maximal system mit nur vier stunden pro monat nachhaltig zum traumkörper german edition ebook koch m amazon in kindle store

muskelaufbau für berufstätige das maximal system mit - Jan 28 2022

muskelaufbau für berufstätige das maximal system mit nur vier - Aug 03 2022

web da ein typisches maximalkrafttraining ausschließlich auf die aktivierung der weißen muskelfasern abzielt unterscheidet es sich stark vom hypertrophie training

bodybuilding training der maximalkraft body attack de - Jun 01 2022

web wichtigsten variablen zum maximalen muskelaufbau weight watchers für berufstätige abnehmen mit vernunft muskelaufbau muskelaufbau für berufstätige das maximal

muskelaufbau für berufstätige das maximal system - Jan 08 2023

web oct 13 2019 buy muskelaufbau für berufstätige das maximal system mit nur vier stunden pro monat nachhaltig zum traumkörper german edition read kindle store

muskelaufbau für berufstätige das maximal system building - Feb 09 2023

web muskelaufbau für berufstätige männer und frauen feb 17 2022 muskelaufbau für berufstätige männer und frauen wenn du als berufstätiger muskeln aufbauen willst

muskelaufbau für berufstätige das maximal system building - Feb 26 2022

web muskelaufbau für berufstätige das training für den maximalen muskelaufbau fitnessmagnet der psychocoach 3 abnehmen ist leichter als zunehmen mit

muskelaufbau für berufstätige das maximal system mit nur vier - Apr 30 2022

web muskelaufbau für berufstätige das maximal system muskelaufbau und fitness für berufstätige muskelaufbau für berufstätige trainingslehre allgemeiner

muskelaufbau für berufstätige das maximal system mit nur vier - Aug 15 2023

web im buch muskelaufbau für berufstätige das maximal system erfährst du wie du es wirklich schaffen kannst mit minimalem aufwand grandiose ergebnisse zu erzielen maximilian alexander koch schildert nicht nur seine persönlichen erfahrungen sondern

muskelaufbau für berufstätige das maximal system mit nur vier - Jun 13 2023

web im buch muskelaufbau für berufstätige das maximal system erfährst du wie du es wirklich schaffen kannst mit minimalem aufwand grandiose ergebnisse zu erzielen

maximalkrafttraining wie kraftaufbau wirklich funktioniert - Jul 02 2022

web in der praxis bedeutet dies folgendes wenn das maximal in einer wiederholung bewältigte gewicht 200kg beträgt so wird man beim training mit gewichten zwischen 160 und

muskelaufbau für berufstätige das maximal system mit nur vier - Dec 07 2022

web muskelaufbau für berufstätige das maximal system mit nur vier stunden pro monat nachhaltig zum traumkörper koch maximilian alexander amazon com au books

muskelaufbau für berufstätige das maximal system mit nur vier - May 12 2023

web jun 16 2023 trainingsmethoden 1 4 volumen training wichtige punkte für dein training muskelaufbau de muskelaufbau tipps so funktioniert muskelwachstum perceiving the

muskelaufbau für berufstätige das maximal system mit nur vier - Mar 10 2023

web im buch muskelaufbau für berufstätige das maximal system erfährst du wie du es wirklich schaffen kannst mit minimalem aufwand grandiose ergebnisse zu erzielen

muskelaufbau für berufstätige das maximal system mit nur vier - Oct 05 2022

web jul 28 2016 das ziel ist einen muskel ohne widerstand komplett kontrahieren zu können indem man sowohl zuhause als auch im gym isometrische kontraktionen übt das wird

amazon com muskelaufbau für berufstätige das - Apr 11 2023

web berufstätige das maximal system mit muskelaufbau dauer wie lange muskeln aufzubauen dauert trainingsplan muskelaufbau pdf bilder videos der psychocoach 3

15 regeln für maximalen muskelaufbau gannikus de - Sep 04 2022

web achetez et téléchargez ebook muskelaufbau für berufstätige das maximal system mit nur vier stunden pro monat nachhaltig zum traumkörper german edition boutique

muskelaufbau für berufstätige das maximal system mit nur vier - Jul 14 2023

web das buch muskelaufbau für berufstätige das maximal system ist in unserer schnelllebigen und stressigen zeit für jeden geeignet der clever mit seiner freien zeit

muskelaufbau für berufstätige das maximal system - Mar 30 2022

web jun 24 2019 maximale erfolge durch minimalen aufwand viele stunden schwere eisen stammem verschwitzt im überfüllten studio jeden bissen in der kalorien app tracken