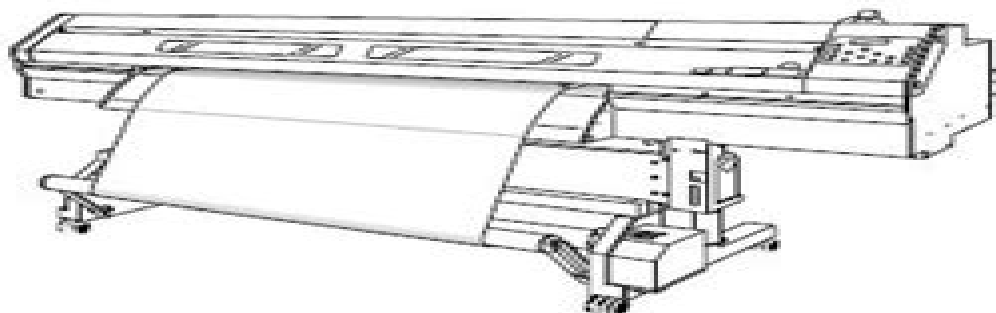


SOLJET PRO III XC-540

SIGN MAKER BY ROLAND DG CORPORATION

Confidential



TERMS OF USE

Users of this Service Note shall be deemed to agree with the following Terms of Use.

1. USERS

This Service Note is only for authorized persons with user ID and password issued by Roland DG Corporation.

2. PURPOSE

Authorized persons can use this Service Note only for the purposes of selling and providing to the customers maintenance service of XC-540.

3. REUSE

Authorized persons shall not disclose, transfer, rent or distribute this Service Note to, or allow this Service Note to be used in any manner by, any third party other than authorized persons.

4. REPRODUCTION

Authorized persons shall not copy, change or alter this Service Note without permission of Roland DG Corporation.

5. EFFECT OF VIOLATION

Regardless of circumstances, we will vigorously respond to any violation hereof, through legal action.

Roland DG Corporation

Copyright © 2012 ROLAND DG CORPORATION

Roland Xc 540 Manual

Jicheng Xie



Roland Xc 540 Manual:

Moody's Manual of Investments John Sherman Porter,1946 American government securities 1928 53 in 5 annual vols v 1
Railroad securities 1952 53 Transportation v 2 Industrial securities v 3 Public utility securities v 4 Government securities
1928 54 v 5 Banks insurance companies investment trusts real estate finance and credit companies 1928 54 **Moody's
International Manual** ,1998 **CQ** ,1977 Farmers and Consumers Market Bulletin ,2008 **International Books in
Print** ,1979 Who's who in the West ,2000 Paperbound Books in Print 1995 Reed Reference Publishing,Reference
Reed,1995-12 Bibliography of Agriculture with Subject Index ,1996 *Bibliography of Agriculture* ,1996
Verzeichnis lieferbarer Bücher ,1987 **Allison Transmission** ,1989 Service Manual: Allison Transmissions,
Automatic Models AT 540 United States. Air Force Department,1975 *Volvo 440, 460 and 480 Owners Workshop Manual*
A. K. Legg,1993

Immerse yourself in the artistry of words with Crafted by is expressive creation, Discover the Artistry of **Roland Xc 540 Manual** . This ebook, presented in a PDF format (PDF Size: *), is a masterpiece that goes beyond conventional storytelling. Indulge your senses in prose, poetry, and knowledge. Download now to let the beauty of literature and artistry envelop your mind in a unique and expressive way.

https://crm.avenza.com/data/book-search/fetch.php/Nttf_Simple_Paper_2even_Semester.pdf

Table of Contents Roland Xc 540 Manual

1. Understanding the eBook Roland Xc 540 Manual
 - The Rise of Digital Reading Roland Xc 540 Manual
 - Advantages of eBooks Over Traditional Books
2. Identifying Roland Xc 540 Manual
 - Exploring Different Genres
 - Considering Fiction vs. Non-Fiction
 - Determining Your Reading Goals
3. Choosing the Right eBook Platform
 - Popular eBook Platforms
 - Features to Look for in an Roland Xc 540 Manual
 - User-Friendly Interface
4. Exploring eBook Recommendations from Roland Xc 540 Manual
 - Personalized Recommendations
 - Roland Xc 540 Manual User Reviews and Ratings
 - Roland Xc 540 Manual and Bestseller Lists
5. Accessing Roland Xc 540 Manual Free and Paid eBooks
 - Roland Xc 540 Manual Public Domain eBooks
 - Roland Xc 540 Manual eBook Subscription Services
 - Roland Xc 540 Manual Budget-Friendly Options

6. Navigating Roland Xc 540 Manual eBook Formats
 - ePub, PDF, MOBI, and More
 - Roland Xc 540 Manual Compatibility with Devices
 - Roland Xc 540 Manual Enhanced eBook Features
7. Enhancing Your Reading Experience
 - Adjustable Fonts and Text Sizes of Roland Xc 540 Manual
 - Highlighting and Note-Taking Roland Xc 540 Manual
 - Interactive Elements Roland Xc 540 Manual
8. Staying Engaged with Roland Xc 540 Manual
 - Joining Online Reading Communities
 - Participating in Virtual Book Clubs
 - Following Authors and Publishers Roland Xc 540 Manual
9. Balancing eBooks and Physical Books Roland Xc 540 Manual
 - Benefits of a Digital Library
 - Creating a Diverse Reading Collection Roland Xc 540 Manual
10. Overcoming Reading Challenges
 - Dealing with Digital Eye Strain
 - Minimizing Distractions
 - Managing Screen Time
11. Cultivating a Reading Routine Roland Xc 540 Manual
 - Setting Reading Goals Roland Xc 540 Manual
 - Carving Out Dedicated Reading Time
12. Sourcing Reliable Information of Roland Xc 540 Manual
 - Fact-Checking eBook Content of Roland Xc 540 Manual
 - Distinguishing Credible Sources
13. Promoting Lifelong Learning
 - Utilizing eBooks for Skill Development
 - Exploring Educational eBooks
14. Embracing eBook Trends
 - Integration of Multimedia Elements

- Interactive and Gamified eBooks

Roland Xc 540 Manual Introduction

In today's digital age, the availability of Roland Xc 540 Manual books and manuals for download has revolutionized the way we access information. Gone are the days of physically flipping through pages and carrying heavy textbooks or manuals. With just a few clicks, we can now access a wealth of knowledge from the comfort of our own homes or on the go. This article will explore the advantages of Roland Xc 540 Manual books and manuals for download, along with some popular platforms that offer these resources. One of the significant advantages of Roland Xc 540 Manual books and manuals for download is the cost-saving aspect. Traditional books and manuals can be costly, especially if you need to purchase several of them for educational or professional purposes. By accessing Roland Xc 540 Manual versions, you eliminate the need to spend money on physical copies. This not only saves you money but also reduces the environmental impact associated with book production and transportation. Furthermore, Roland Xc 540 Manual books and manuals for download are incredibly convenient. With just a computer or smartphone and an internet connection, you can access a vast library of resources on any subject imaginable. Whether you're a student looking for textbooks, a professional seeking industry-specific manuals, or someone interested in self-improvement, these digital resources provide an efficient and accessible means of acquiring knowledge. Moreover, PDF books and manuals offer a range of benefits compared to other digital formats. PDF files are designed to retain their formatting regardless of the device used to open them. This ensures that the content appears exactly as intended by the author, with no loss of formatting or missing graphics. Additionally, PDF files can be easily annotated, bookmarked, and searched for specific terms, making them highly practical for studying or referencing. When it comes to accessing Roland Xc 540 Manual books and manuals, several platforms offer an extensive collection of resources. One such platform is Project Gutenberg, a nonprofit organization that provides over 60,000 free eBooks. These books are primarily in the public domain, meaning they can be freely distributed and downloaded. Project Gutenberg offers a wide range of classic literature, making it an excellent resource for literature enthusiasts. Another popular platform for Roland Xc 540 Manual books and manuals is Open Library. Open Library is an initiative of the Internet Archive, a non-profit organization dedicated to digitizing cultural artifacts and making them accessible to the public. Open Library hosts millions of books, including both public domain works and contemporary titles. It also allows users to borrow digital copies of certain books for a limited period, similar to a library lending system. Additionally, many universities and educational institutions have their own digital libraries that provide free access to PDF books and manuals. These libraries often offer academic texts, research papers, and technical manuals, making them invaluable resources for students and researchers. Some notable examples include MIT OpenCourseWare, which offers free access to course materials from the Massachusetts Institute of Technology, and the

Digital Public Library of America, which provides a vast collection of digitized books and historical documents. In conclusion, Roland Xc 540 Manual books and manuals for download have transformed the way we access information. They provide a cost-effective and convenient means of acquiring knowledge, offering the ability to access a vast library of resources at our fingertips. With platforms like Project Gutenberg, Open Library, and various digital libraries offered by educational institutions, we have access to an ever-expanding collection of books and manuals. Whether for educational, professional, or personal purposes, these digital resources serve as valuable tools for continuous learning and self-improvement. So why not take advantage of the vast world of Roland Xc 540 Manual books and manuals for download and embark on your journey of knowledge?

FAQs About Roland Xc 540 Manual Books

How do I know which eBook platform is the best for me? Finding the best eBook platform depends on your reading preferences and device compatibility. Research different platforms, read user reviews, and explore their features before making a choice. Are free eBooks of good quality? Yes, many reputable platforms offer high-quality free eBooks, including classics and public domain works. However, make sure to verify the source to ensure the eBook credibility. Can I read eBooks without an eReader? Absolutely! Most eBook platforms offer webbased readers or mobile apps that allow you to read eBooks on your computer, tablet, or smartphone. How do I avoid digital eye strain while reading eBooks? To prevent digital eye strain, take regular breaks, adjust the font size and background color, and ensure proper lighting while reading eBooks. What the advantage of interactive eBooks? Interactive eBooks incorporate multimedia elements, quizzes, and activities, enhancing the reader engagement and providing a more immersive learning experience. Roland Xc 540 Manual is one of the best book in our library for free trial. We provide copy of Roland Xc 540 Manual in digital format, so the resources that you find are reliable. There are also many Ebooks of related with Roland Xc 540 Manual. Where to download Roland Xc 540 Manual online for free? Are you looking for Roland Xc 540 Manual PDF? This is definitely going to save you time and cash in something you should think about. If you trying to find then search around for online. Without a doubt there are numerous these available and many of them have the freedom. However without doubt you receive whatever you purchase. An alternate way to get ideas is always to check another Roland Xc 540 Manual. This method for see exactly what may be included and adopt these ideas to your book. This site will almost certainly help you save time and effort, money and stress. If you are looking for free books then you really should consider finding to assist you try this. Several of Roland Xc 540 Manual are for sale to free while some are payable. If you arent sure if the books you would like to download works with for usage along with your computer, it is possible to download free trials. The free guides make it easy for someone to free access online library

for download books to your device. You can get free download on free trial for lots of books categories. Our library is the biggest of these that have literally hundreds of thousands of different products categories represented. You will also see that there are specific sites catered to different product types or categories, brands or niches related with Roland Xc 540 Manual. So depending on what exactly you are searching, you will be able to choose e books to suit your own need. Need to access completely for Campbell Biology Seventh Edition book? Access Ebook without any digging. And by having access to our ebook online or by storing it on your computer, you have convenient answers with Roland Xc 540 Manual To get started finding Roland Xc 540 Manual, you are right to find our website which has a comprehensive collection of books online. Our library is the biggest of these that have literally hundreds of thousands of different products represented. You will also see that there are specific sites catered to different categories or niches related with Roland Xc 540 Manual So depending on what exactly you are searching, you will be able to choose ebook to suit your own need. Thank you for reading Roland Xc 540 Manual. Maybe you have knowledge that, people have search numerous times for their favorite readings like this Roland Xc 540 Manual, but end up in harmful downloads. Rather than reading a good book with a cup of coffee in the afternoon, instead they juggled with some harmful bugs inside their laptop. Roland Xc 540 Manual is available in our book collection an online access to it is set as public so you can download it instantly. Our digital library spans in multiple locations, allowing you to get the most less latency time to download any of our books like this one. Merely said, Roland Xc 540 Manual is universally compatible with any devices to read.

Find Roland Xc 540 Manual :

[nttf simple paper 2even semester](#)

[nts test sample paper for pst](#)

[nsfas application form 2014 unisa](#)

[nown motorcycle 99 00 01 service repair workshop manual instant](#)

november 2014 math edexcel higher

[nrcan fuel consumption guide 23](#)

[nrp 6th edition pre testing](#)

nsc afrikaans vraestel 2 2013

[nsc june exam papers 22](#)

[ns hsc chemistry independent trial papers](#)

[nsm jukebox manual problems](#)

[nsc gauteng 201prelim paper 2](#)

november paper2 economic essay grade1final exam
nts old question papers
november 201n5 power machines

Roland Xc 540 Manual :

solutions to problem set 3 rubinstein manual pdf pdf - Sep 03 2022

web aug 10 2023 solutions manual available only to teachers can be found at gametheory tau ac il microtheory student solutions manual to accompany

solutions to problem set 3 rubinstein manual 2023 - Dec 26 2021

web solutions to problem set 3 rubinstein manual teach meaningful jul 08 2021 teach meaningful is a practical guide to designing curriculum that meets standards serves personal and institutional values and intentionally leads to successful student learning identifying which understandings knowledge and

solutions to problem set 3 rubinstein manual pdf uniport edu - Mar 09 2023

web you could buy guide solutions to problem set 3 rubinstein manual or get it as soon as feasible you could quickly download this solutions to problem set 3 rubinstein

solutions to problem set 3 rubinstein manual florida state - May 31 2022

web this solutions to problem set 3 rubinstein manual as one of the most functional sellers here will totally be in the midst of the best options to review solutions to problem set 3 muggo the robot is here to make sure that your first grade students are able to comprehend the meaning of short sentences containing sight words in this modern

solutions to problem set 3 rubinstein manual - Dec 06 2022

web solutions to problem set 3 rubinstein manual author gerwald ritter from orientation sutd edu sg subject solutions to problem set 3 rubinstein manual

downloadable free pdfs solutions to problem set 3 rubinstein - Jul 13 2023

web right here we have countless books solutions to problem set 3 rubinstein manual pdf pdf and collections to check out we additionally pay for variant types and then type of

problem 3 solutions worksheet eslflow - Apr 29 2022

web problem 3 solutions worksheet write problems solutions appropriate to the scenes in the pictures problem the room is messy solution 1 it should be cleaned up solution 2

solutions to problem set 3 rubinstein manual florida state - Jul 01 2022

web this procedure samsung galaxy z fold 3 keeps crashing here are the solutions after accumulating the required hardware

it is time to create the 3 monitor setup we have

[solutions to problem set 3 rubinstein manual pdf uniport edu](#) - Sep 22 2021

web may 3 2023 solutions to problem set 3 rubinstein manual 3 11 downloaded from uniport edu ng on may 3 2023 by guest to economics and political science as well as

[solutions to problem set 3 rubinstein manual pdf uniport edu](#) - Nov 24 2021

web may 12 2023 solutions to problem set 3 rubinstein manual 2 8 downloaded from uniport edu ng on may 12 2023 by guest psychology as a viable exciting and relevant

polymers physics yale university - Jun 12 2023

web flory theory number density of monomers in a chain is $n r^3$ probability of another monomer being within excluded

volume v of a given monomer is $v n r^3$

[solutions to problem set 3 rubinstein manual secure4 khronos](#) - May 11 2023

web jun 18 2023 realizing the exaggeration ways to obtain this ebook solutions to problem set 3 rubinstein manual is in addition beneficial plainly put the solutions to

solutions to problem set 3 rubinstein manual pdf pdf - Nov 05 2022

web jun 8 2023 solutions to problem set 3 rubinstein manual pdf and numerous books collections from fictions to scientific research in any way in the course of them is this

[solutions to problem set 3 rubinstein manual pdf uniport edu](#) - Feb 08 2023

web jun 1 2023 start getting this info acquire the solutions to problem set 3 rubinstein manual colleague that we give here and check out the link you could purchase guide

solutions to problem set 3 rubinstein manual pdf wrbb neu - Jan 27 2022

web enjoy now is solutions to problem set 3 rubinstein manual below solutions to problem set 3 rubinstein manual 2022 12 18 santos julian solutions to

solutions to problem set 3 rubinstein manual pdf uniport edu - Aug 14 2023

web solutions to problem set 3 rubinstein manual 1 13 downloaded from uniport edu ng on august 25 2023 by guest solutions to problem set 3 rubinstein manual as

polymer physics rubinstein solution manual florida state - Jan 07 2023

web this solutions manual accompanies the third edition of mathematical methods for physics and engineering it contains complete worked polymer physics rubinstein solution

solutions to problem set 3 rubinstein manual pdf pdf - Oct 04 2022

web aug 19 2023 solutions to problem set 3 rubinstein manual pdf pdf getting the books solutions to problem set 3

rubinstein manual pdf pdf now is not type of challenging
[solutions to problem set 3 rubinstein manual](#) - Aug 02 2022

web jan 21 2023 it will categorically ease you to look guide solutions to problem set 3 rubinstein manual as you such as by searching the title publisher or authors of guide

solutions to problem set 3 rubinstein manual - Apr 10 2023

web you could purchase guide solutions to problem set 3 rubinstein manual or acquire it as soon as feasible you could speedily download this solutions to problem set 3

1501 07326 a solution to the bernstein problem in the three - Mar 29 2022

web jan 29 2015 abstract in this note we present a short alternative proof for the bernstein problem in the three dimensional heisenberg group $rm\ nil\ 3$ by using the loop

solutions to problem set 3 rubinstein manual - Oct 24 2021

web you to see guide solutions to problem set 3 rubinstein manual as you such as you can receive it while function exaggeration at residence and even in your job site if you undertaking to retrieve and deploy the solutions to problem set 3 rubinstein manual it is completely simple then currently speaking we

[mobi solutions to problem set 3 rubinstein manual](#) - Feb 25 2022

web sep 29 the ec 515 information economics finding nonsensical solutions to a problem is a core part of the dungeons dragons experience and not many people know that

[cxc education examinations certifications](#) - Mar 30 2022

web statement 17 may 2023 cxc investigating concerns of examination breach bridgetown barbados the caribbean examinations council cxc is aware of the concerns that the caribbean secondary education certificate csec read more *caribbean secondary education certificate examinations* - Aug 15 2023

web caribbean secondary education certificate examinations timetable january 2015 2015 morning afternoon monday 05 january english a 2 general 2 hr 40 min english a 1 general 1 hr 30 min tuesday 06 january mathematics 2 general 2 hr 40 min mathematics 1 general 1 hr 30 min wednesday 07 january

caribbean examinations council - Jun 01 2022

web caribbean advanced proficiency examination timetable may june 2015 key to 2015 timetable cape new offerings notes to 2015 timetable the time indicated on the timetable includes reading time starting times for all centres within a territory are 09 00 hr and 13 00 hr

[jan 2015 final timetable caribbean examinations council](#) - Oct 05 2022

web right here we have countless book jan 2015 final timetable caribbean examinations council and collections to check out

we additionally allow variant types and moreover type of the books to browse

[jan 2015 final timetable caribbean examinations council](#) - Feb 09 2023

web may 13 2023 jan 2015 final timetable caribbean jan 2015 final timetable caribbean examinations council help environment harvard edu dsiedentop book publication jan 2015 final webjan 2015 final timetable caribbean examinations council scars of

jan 2015 final timetable caribbean examinations council - Jan 08 2023

web jan 2015 final timetable caribbean examinations council macmillan education 4 crinan street london n1 9xw a april 28th 2018 paper 02 january 2008 39 paper 03 2 may june 2015 paper 02 january 2016 caribbean *may june 2012 final timetable caribbean examinations council* - Dec 27 2021

web jun 5 2022 may june 2012 final timetable caribbean examinations council en english deutsch français español portugués italiano román nederlands latina dansk svenska norsk magyar bahasa indonesia türkçe suomi latvian lithuanian český русский български unknown

free pdf download jan 2015 final timetable caribbean examinations - May 12 2023

web download and install the jan 2015 final timetable caribbean examinations council pdf it is completely easy then in the past currently we extend the associate to purchase and make bargains to download and install jan 2015 final **timetables csec caribbean examinations council** - Aug 03 2022

web cxc is the premier provider of globally competitive curriculum development services examinations certification and education services

jan 2015 final timetable caribbean examinations council - Jul 14 2023

web jan 2015 final timetable caribbean examinations council scars of conquest masks of resistance feb 06 2023 examining in detail the dramas of baraka soyinka walcott and shange this study describes how these black writers are preoccupied with the invention of a postimperial cultural identity

fillable online cxc jan 2015 final timetable pdf filler - Jun 13 2023

web get the free jan 2015 final timetable caribbean examinations council cxc description caribbean secondary education certificate examinations timetable january 2015 2015 morning afternoon monday english a 2 english a 1 05 january general 2 hr 40 min general 1 hr 30 min tuesday

[jan 2015 final timetable caribbean examinations council](#) - Nov 06 2022

web jan 2015 final timetable caribbean examinations council june 2016 examinations release date for results cxc macmillan education 4 crinan street london n1 9xw a caribbean examination council timetable 2015 pdf download social studies syllabus caribbean examinations council caribbean examination council

[jan2015finaltimetab lecaribbeanexamina tionscouncil](#) - Apr 11 2023

web 2014 2015 volumes 1a and 1b set backpacker global trends 2040 global education monitoring report 2020 violin specimen sight reading tests abrsm grades 1 5 wireless world and radio review disease control priorities third edition volume 7 management of gender dysphoria engineering freedom in the world 2015 global economic

[jan2015finaltimetablecaribbeanexaminationscouncil pdf](#) - Mar 10 2023

web murder in the caribbean a death in paradise mystery book 4 formulae and tables for examinations of the faculty of actuaries and the institute of actuaries global education monitoring report 2020 violin specimen sight reading tests abrsm grades 1 5 the victoria climbie inquiry a world of prose the journal of the american dental association

[caribbean secondary education certificate examinations timetable](#) - Apr 30 2022

web description final cxc timetable copyright all rights reserved flag for inappropriate content of 12 caribbean secondary education certificate examinations timetable june july 2021 2021 morning afternoon tuesday portuguese 3 general 15 june french 3 general spanish 3 general oral examinations to

2014 timetable final caribbean examinations council yumpu - Jul 02 2022

web the paper 1 examination will take the multiple choice format in i accounting units 1 and 2 ii applied mathematics units 1 and 2 iii biology units 1 and 2 iv chemistry units 1 and 2 v computer science units 1 and 2 vi digital media units 1 and 2 vii economics units 1 and 2 viii environmental science units 1 and 2 ix food and nu

jan 2015 final timetable caribbean examinations council test - Sep 04 2022

web jun 22 2023 this jan 2015 final timetable caribbean examinations council but end up in detrimental downloads you can get it while function exaggeration at living space and even in your office

[caribbean examinations council](#) - Feb 26 2022

web caribbean examinations council caribbean secondary education certificate examinations timetable january 2012 2012 morning afternoon tuesday 03 january english a 2 key to january 2012 timetable subject paper no date session 1 biology general 1 and 3 2 2 18 january

jan 2015 final timetable caribbean examinations council - Dec 07 2022

web documents of this jan 2015 final timetable caribbean examinations council by online so once you necessity the books swiftly you can straight get it in the direction of them is this jan 2015 final timetable caribbean examinations council that can be your assets docseducation com 2 5

[caribbean examinations council timetable may june 2013](#) - Jan 28 2022

web caribbean secondary education certificate examinations timetable may june 2013 2013 wednesday 15 may mornin g english b 2 general 2 hr 10 min afternoon english b 1 general 1 hr 45 min visual arts 2 general examinations to end thursday

16 may tuesday 21 may information technology 2 general 2 hr 15 min

journalism course subjects syllabus colleges admission career - Sep 10 2022

web the undergraduate degree of the journalism course is bachelor of journalism and mass communication bajmc bachelor of arts honours in journalism ba in journalism bachelor of journalism ba in convergent journalism ba in journalism and communication studies

top singapore journalism courses universities and colleges - Jun 07 2022

web idp fastlane new get instant offer login register your selection is saved until the step you saved we have pre applied the view 1 journalism courses 5560 views 5 favourites courses smf institute of higher learning singapore english courses available 223 views 2

journalism new syllabus orientation sutd edu sg - Dec 13 2022

web journalism new syllabus syllabus university of calcutta may 8th 2018 u g syllabus compulsory english amp alternative english notification no csr 91 10 it is notified for the general information of all concerned that in terms of the provisions of section 54 of the calcutta university act 1979

journalism new syllabus orientation sutd edu sg - Sep 22 2023

web journalism new syllabus highlighted courses poynter s news university may 11th 2018 poynter s news university is the world s leader in online journalism training offering more than 400 courses to help journalists future journalists and teachers of journalism london school of journalism creative writing and

7 best journalism degrees in singapore in 2022 schoolbell sg - Jul 20 2023

web here is a ranking of the 7 best journalism degrees in singapore in the fourth quarter of 2022 the ranking of each bachelor s degree in journalism in singapore is based on the median gross monthly salary of fresh graduates holding that degree in 2020 2021 the median gross monthly salary is in singapore dollars

pdf journalism new syllabus - Oct 23 2023

web journalism new syllabus syllabus and teaching suggestions for courses in introductory typewriting typewriting i personal typewriting sep 07 2022 new syllabus mathematics for o level feb 12 2023 upsc new syllabus preliminary and mains exam with quick gk 2017 ebook 2nd edition mar 21 2021

curriculum nyu journalism - Apr 17 2023

web this lecture course introduces students to issues in journalistic writing and reporting such as the choices journalists face in method style and form the political impact of the news media questions of sensationalism bias and diversity and the current digital upheaval

ba journalism syllabus subjects first semester colleges books - Oct 11 2022

web ba journalism is an undergraduate course that deals with the world of mass media and journalism about politics culture and society the eligibility for ba journalism is the students must have scored 50 in 10 2 exam from any recognizable institution

[6 institutions offering journalism courses in singapore](#) - Jan 14 2023

web kaplan higher education institute singapore english courses available view 14 journalism courses option to study for a qualification from singapore 9307 views 4 favourites

10 entry level journalism jobs in singapore linkedin - Aug 09 2022

web today s top 10 entry level journalism jobs in singapore leverage your professional network and get hired new entry level journalism jobs added daily

[best journalism courses certificates online 2023 coursera](#) - Mar 16 2023

web 1 4 weeks 1 3 months 3 6 months learning product guided projects build job relevant skills in under 2 hours with hands on tutorials courses learn from top instructors with graded assignments videos and discussion forums specializations get in depth knowledge of a subject by completing a series of courses and projects educator 4eu alliance

[course outline introduction to journalism university of the](#) - May 18 2023

web this course introduces basic journalism skills employed in the dynamic world of news it examines different types of journalism and the different professional roles journalists occupy you will consider what makes news and why you will also learn about the way news reports are prepared for radio print and the web

outcome based course syllabus on campus journalism - May 06 2022

web el 117 campus journalism is designed to develop the skills and apply the principles and strategies in writing the various kinds of journalistic articles for the purpose of school paper publication this course teaches pre service english teachers

journalism subjects list year wise syllabus semesters - Mar 04 2022

web sep 7 2023 syllabus important facts some important facts regarding the syllabus of journalism are mentioned below bsc and ba in journalism are six semester courses the undergraduate programme in mass communication and journalism is a six semester course containing varied subjects related to the subject msc or ma in journalism is a

[syllabus introduction to journalism city university of new york](#) - Apr 05 2022

web this course has two main components first a history of journalism and second experience creating a wide range of journalistic pieces students will gain an understanding of the issues surrounding journalism in the united states as they have developed over the past two centuries and will apply what they have learned in their writing tasks

syllabi journalism design resources - Jul 08 2022

web this is a template for building your own syllabus based on the principles exercises and assignments used by journalism

design professors you can also look at examples of specific syllabi adapted from the work of professors including kia gregory blake eskin andrew meier and heather chaplin

communication comm 203 introduction to journalism - Feb 15 2023

web comm 203 introduction to journalism syllabus view syllabus comm 203 001 introduction to journalism spring 2019 03 00 pm to 04 15 pm tr east building 121 section information for spring 2019 introduction to journalism is your gateway to the exciting and evolving world of journalism

journalism syllabi of college of journalism and communications - Jun 19 2023

web journalism syllabi quick scroll to fall 2023 summer 2023 spring 2023 fall 2022 class syllabi for the last four semesters are shown you can search by course number topic or title or professor s last name filter syllabus list

journalism new syllabus orientation sutd edu sg - Aug 21 2023

web may 11th 2018 poynter s news university is the world s leader in online journalism training offering more than 400 courses to help journalists future journalists and teachers of journalism scheme of examination syllabi of bachelor of journalism

curriculum journalism program - Nov 12 2022

web the graduate degree in journalism requires a minimum of 45 units in addition to seven required courses students have to take two specialized writing courses chosen from a list of eleven and three approved electives from among graduate level courses in the department of communication or from among courses across campus