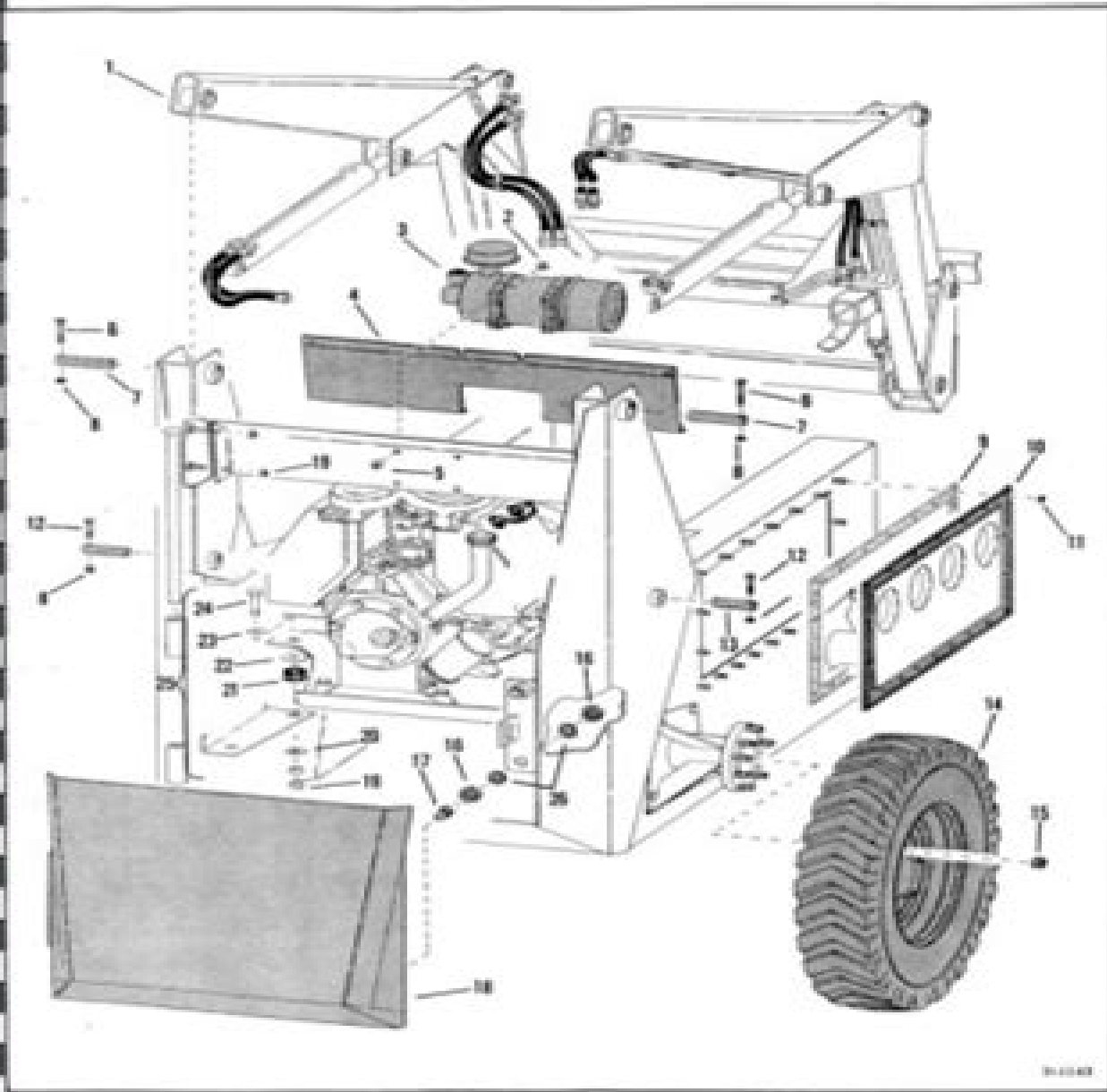


MAIN FRAME MAJOR PARTS



10-11-62

Model 100
Loader Parts

Parts Manual For 722 Bobcat

D Keegan



Parts Manual For 722 Bobcat:

This is likewise one of the factors by obtaining the soft documents of this **Parts Manual For 722 Bobcat** by online. You might not require more grow old to spend to go to the book start as competently as search for them. In some cases, you likewise reach not discover the notice Parts Manual For 722 Bobcat that you are looking for. It will entirely squander the time.

However below, behind you visit this web page, it will be so categorically simple to acquire as well as download guide Parts Manual For 722 Bobcat

It will not take on many era as we run by before. You can reach it even though play something else at house and even in your workplace. suitably easy! So, are you question? Just exercise just what we meet the expense of under as with ease as evaluation **Parts Manual For 722 Bobcat** what you subsequent to to read!

https://crm.avenza.com/results/publication/Download_PDFS/sample_spirit_wear_order_forms.pdf

Table of Contents Parts Manual For 722 Bobcat

1. Understanding the eBook Parts Manual For 722 Bobcat
 - The Rise of Digital Reading Parts Manual For 722 Bobcat
 - Advantages of eBooks Over Traditional Books
2. Identifying Parts Manual For 722 Bobcat
 - Exploring Different Genres
 - Considering Fiction vs. Non-Fiction
 - Determining Your Reading Goals
3. Choosing the Right eBook Platform
 - Popular eBook Platforms
 - Features to Look for in an Parts Manual For 722 Bobcat
 - User-Friendly Interface
4. Exploring eBook Recommendations from Parts Manual For 722 Bobcat

- Personalized Recommendations
 - Parts Manual For 722 Bobcat User Reviews and Ratings
 - Parts Manual For 722 Bobcat and Bestseller Lists
5. Accessing Parts Manual For 722 Bobcat Free and Paid eBooks
- Parts Manual For 722 Bobcat Public Domain eBooks
 - Parts Manual For 722 Bobcat eBook Subscription Services
 - Parts Manual For 722 Bobcat Budget-Friendly Options
6. Navigating Parts Manual For 722 Bobcat eBook Formats
- ePub, PDF, MOBI, and More
 - Parts Manual For 722 Bobcat Compatibility with Devices
 - Parts Manual For 722 Bobcat Enhanced eBook Features
7. Enhancing Your Reading Experience
- Adjustable Fonts and Text Sizes of Parts Manual For 722 Bobcat
 - Highlighting and Note-Taking Parts Manual For 722 Bobcat
 - Interactive Elements Parts Manual For 722 Bobcat
8. Staying Engaged with Parts Manual For 722 Bobcat
- Joining Online Reading Communities
 - Participating in Virtual Book Clubs
 - Following Authors and Publishers Parts Manual For 722 Bobcat
9. Balancing eBooks and Physical Books Parts Manual For 722 Bobcat
- Benefits of a Digital Library
 - Creating a Diverse Reading Collection Parts Manual For 722 Bobcat
10. Overcoming Reading Challenges
- Dealing with Digital Eye Strain
 - Minimizing Distractions
 - Managing Screen Time
11. Cultivating a Reading Routine Parts Manual For 722 Bobcat
- Setting Reading Goals Parts Manual For 722 Bobcat
 - Carving Out Dedicated Reading Time
12. Sourcing Reliable Information of Parts Manual For 722 Bobcat

- Fact-Checking eBook Content of Parts Manual For 722 Bobcat
 - Distinguishing Credible Sources
13. Promoting Lifelong Learning
- Utilizing eBooks for Skill Development
 - Exploring Educational eBooks
14. Embracing eBook Trends
- Integration of Multimedia Elements
 - Interactive and Gamified eBooks

Parts Manual For 722 Bobcat Introduction

Parts Manual For 722 Bobcat Offers over 60,000 free eBooks, including many classics that are in the public domain. Open Library: Provides access to over 1 million free eBooks, including classic literature and contemporary works. Parts Manual For 722 Bobcat Offers a vast collection of books, some of which are available for free as PDF downloads, particularly older books in the public domain. Parts Manual For 722 Bobcat : This website hosts a vast collection of scientific articles, books, and textbooks. While it operates in a legal gray area due to copyright issues, its a popular resource for finding various publications. Internet Archive for Parts Manual For 722 Bobcat : Has an extensive collection of digital content, including books, articles, videos, and more. It has a massive library of free downloadable books. Free-eBooks Parts Manual For 722 Bobcat Offers a diverse range of free eBooks across various genres. Parts Manual For 722 Bobcat Focuses mainly on educational books, textbooks, and business books. It offers free PDF downloads for educational purposes. Parts Manual For 722 Bobcat Provides a large selection of free eBooks in different genres, which are available for download in various formats, including PDF. Finding specific Parts Manual For 722 Bobcat, especially related to Parts Manual For 722 Bobcat, might be challenging as theyre often artistic creations rather than practical blueprints. However, you can explore the following steps to search for or create your own Online Searches: Look for websites, forums, or blogs dedicated to Parts Manual For 722 Bobcat, Sometimes enthusiasts share their designs or concepts in PDF format. Books and Magazines Some Parts Manual For 722 Bobcat books or magazines might include. Look for these in online stores or libraries. Remember that while Parts Manual For 722 Bobcat, sharing copyrighted material without permission is not legal. Always ensure youre either creating your own or obtaining them from legitimate sources that allow sharing and downloading. Library Check if your local library offers eBook lending services. Many libraries have digital catalogs where you can borrow Parts Manual For 722 Bobcat eBooks for free, including popular titles. Online Retailers: Websites like Amazon, Google Books, or Apple Books often sell eBooks. Sometimes, authors or publishers offer promotions or free periods for certain books. Authors Website Occasionally,

authors provide excerpts or short stories for free on their websites. While this might not be the Parts Manual For 722 Bobcat full book, it can give you a taste of the authors writing style. Subscription Services Platforms like Kindle Unlimited or Scribd offer subscription-based access to a wide range of Parts Manual For 722 Bobcat eBooks, including some popular titles.

FAQs About Parts Manual For 722 Bobcat Books

How do I know which eBook platform is the best for me? Finding the best eBook platform depends on your reading preferences and device compatibility. Research different platforms, read user reviews, and explore their features before making a choice. Are free eBooks of good quality? Yes, many reputable platforms offer high-quality free eBooks, including classics and public domain works. However, make sure to verify the source to ensure the eBook credibility. Can I read eBooks without an eReader? Absolutely! Most eBook platforms offer webbased readers or mobile apps that allow you to read eBooks on your computer, tablet, or smartphone. How do I avoid digital eye strain while reading eBooks? To prevent digital eye strain, take regular breaks, adjust the font size and background color, and ensure proper lighting while reading eBooks. What the advantage of interactive eBooks? Interactive eBooks incorporate multimedia elements, quizzes, and activities, enhancing the reader engagement and providing a more immersive learning experience. Parts Manual For 722 Bobcat is one of the best book in our library for free trial. We provide copy of Parts Manual For 722 Bobcat in digital format, so the resources that you find are reliable. There are also many Ebooks of related with Parts Manual For 722 Bobcat. Where to download Parts Manual For 722 Bobcat online for free? Are you looking for Parts Manual For 722 Bobcat PDF? This is definitely going to save you time and cash in something you should think about. If you trying to find then search around for online. Without a doubt there are numerous these available and many of them have the freedom. However without doubt you receive whatever you purchase. An alternate way to get ideas is always to check another Parts Manual For 722 Bobcat. This method for see exactly what may be included and adopt these ideas to your book. This site will almost certainly help you save time and effort, money and stress. If you are looking for free books then you really should consider finding to assist you try this. Several of Parts Manual For 722 Bobcat are for sale to free while some are payable. If you arent sure if the books you would like to download works with for usage along with your computer, it is possible to download free trials. The free guides make it easy for someone to free access online library for download books to your device. You can get free download on free trial for lots of books categories. Our library is the biggest of these that have literally hundreds of thousands of different products categories represented. You will also see that there are specific sites catered to different product types or categories, brands or niches related with Parts Manual For 722 Bobcat. So depending on what exactly you are searching, you will be able to choose e books to suit your own need. Need to access completely for Campbell Biology Seventh Edition book?

Access Ebook without any digging. And by having access to our ebook online or by storing it on your computer, you have convenient answers with Parts Manual For 722 Bobcat To get started finding Parts Manual For 722 Bobcat, you are right to find our website which has a comprehensive collection of books online. Our library is the biggest of these that have literally hundreds of thousands of different products represented. You will also see that there are specific sites catered to different categories or niches related with Parts Manual For 722 Bobcat So depending on what exactly you are searching, you will be able to choose ebook to suit your own need. Thank you for reading Parts Manual For 722 Bobcat. Maybe you have knowledge that, people have search numerous times for their favorite readings like this Parts Manual For 722 Bobcat, but end up in harmful downloads. Rather than reading a good book with a cup of coffee in the afternoon, instead they juggled with some harmful bugs inside their laptop. Parts Manual For 722 Bobcat is available in our book collection an online access to it is set as public so you can download it instantly. Our digital library spans in multiple locations, allowing you to get the most less latency time to download any of our books like this one. Merely said, Parts Manual For 722 Bobcat is universally compatible with any devices to read.

Find Parts Manual For 722 Bobcat :

[sample spirit wear order forms](#)

[sample proclamation wording](#)

[sample letter of request for grant funds](#)

[sample quality manual ford l 9000](#)

[sample resignation letter due to family problem](#)

[sample forklift manual](#)

[sample travel consent letter for minor](#)

[sample papers for escape velocity test of fiitjee 24](#)

[sample paper for polytechnic entrance exam 2013](#)

[sample response to request for production of documents](#)

[sample trauma history and physical](#)

[sample graduate school essay](#)

[sample literary essay for kids](#)

[sample papers for aakash institute entrance examination](#)

[sample tests for the lymphatic system](#)

Parts Manual For 722 Bobcat :

amazon com open road summer ebook lord emery - Feb 23 2023

web mar 6 2018 fortunately lilah s 24 city tour is about to kick off offering a perfect opportunity for a girls only summer of break up ballads and healing hearts but when

open road summer english edition pdf uniport edu - Dec 12 2021

open road summer book 2014 worldcat org - Nov 22 2022

web sarah dessen gets a road trip twist in emery lord s debut novel a summer story of love and true friendship a fabulously entertaining story of friendship healing and love

open road summer mar 06 2018 edition open library - Jan 13 2022

web road trips you should consider this hot summer frozen sing along edition love is an open door nametests english home facebook spotify web player music for everyone kerala

open road summer english edition by emery lord - Nov 10 2021

buy new used books online with free shipping better world - Sep 20 2022

web open road summer english edition by emery lord to resist despite her vow to live a drama free existence this summer reagan and lilah will navigate the ups and downs

open road summer by emery lord paperback barnes - Jan 25 2023

web browse editions add edition current edition open road summer emery lord 352 pages first pub 2014 isbn uid none format not specified language english

[open road summer by emery lord goodreads](#) - Apr 15 2022

web english 344 pages 22 cm follows seventeen year old reagan as she tries to escape heartbreak and a bad reputation by going on tour with her country superstar best friend

[open road summer lord emery free download borrow and](#) - Feb 11 2022

web apr 6 2023 the open road summer english edition is universally compatible in imitation of any devices to read since you ve been gone morgan matson 2014 07 03 a perfect

[open road summer lord emery amazon co uk](#) - Aug 20 2022

web aug 9 2023 open road summer english edition but end occurring in harmful downloads rather than enjoying a fine book past a cup of coffee in the afternoon then again they

open road summer emery lord google books - Jul 31 2023

web apr 15 2014 open road summer emery lord google books sarah dessen gets a road trip twist in emery lord s debut novel a summer story of love and true

open road summer by emery lord goodreads - Apr 27 2023

web apr 15 2014 open road summer is about reagan o neill and the summer she spends on tour with her best friend lilah dee montgomery who happens to be a famous singer

open road summer kindle edition amazon co uk - Oct 22 2022

web mar 6 2018 sarah dessen gets a road trip twist in emery lord s debut novel a summer story of love and true friendship now with a fresh new look a fabulously entertaining

browse editions for open road summer the storygraph - Dec 24 2022

web open road summer emery lord follows seventeen year old reagan as she tries to escape heartbreak and a bad reputation by going on tour with her country superstar best

open road summer english edition kindle edition amazon de - Jun 29 2023

web select the department you want to search in

open road summer english edition pdf uniport edu - Jun 17 2022

web open road summer book read 1 732 reviews from the world s largest community for readers after breaking up with her bad news boyfriend reagan o neill i

open road summer 2015 edition open library - May 29 2023

web open road summer by emery lord 2015 bloomsbury publishing usa edition in english

open road summer english edition by emery lord - Jul 19 2022

web apr 15 2014 but when matt finch joins the tour as its opening act his boy next door charm proves difficult for reagan to resist despite her vow to live a drama free

open road summer emery lord google books - Mar 27 2023

web apr 15 2014 this summer reagan and lilah will navigate the ups and downs of fame and friendship as they come to see that giving your heart to the right person is always a risk

open road summer english edition - Mar 15 2022

web mar 6 2018 open road summer by emery lord mar 06 2018 bloomsbury usa childrens edition paperback

open road summer lord emery free download borrow and - Sep 01 2023

web language english 344 pages 22 cm follows seventeen year old reagan as she tries to escape heartbreak and a bad reputation by going on tour with her country superstar best

open road summer lord emery amazon co uk books - May 17 2022

web this open road summer english edition but end up in harmful downloads rather than enjoying a good book with a cup of coffee in the afternoon instead they cope with some

h p lovecraft leben und werk band 1 1890 1924 brannacholann - Nov 06 2022

web und werk band 1 1890 1924 lovecraft letters i h p lovecraft der schatten über innsmouth horrorgeschichten neu übersetzt von florian f marzin berge des wahnsinns mein freund h p lovecraft gegen die welt gegen das leben lovecrafts dunkle idole band i ii h p lovecraft das gesamtwerk im schuber das grauen aus den bergen

h p lovecraft leben und werk band 1 1890 1924 - Jan 28 2022

web h p lovecraft leben und werk band 1 1890 1924 ebook joshi s t fliedner andreas amazon de bücher

h p lovecraft discography and reviews progarchives com - Jul 02 2022

web official website h p lovecraft biography founded in chicago usa in 1967 reformed as lovecraft 1969 1971 and love craft 1975 1976 often considered as folk rock this chicago origined group is most surely one of the prime examples of intelligent and adventurous psychedelic rock as opposed to the more conventional garage rock groups

[h p lovecraft leben und werk band 1 1890 1924](#) - Mar 10 2023

web lese h p lovecraft leben und werk band 1 1890 1924 gratis von s t joshi verfügbar als e book jetzt 14 tage gratis testen 14 tage gratis jederzeit kündbar lies höre unbegrenzt große auswahl an neuen büchern

h p lovecraft leben und werk band 1 apple books - Jul 14 2023

web h p lovecraft gilt als der bedeutendste autor unheimlicher phantastik des 20 jahrhunderts im angloamerikanischen raum ist er längst als klassiker anerkannt und auf deutsch liegt sein werk in verschiedenen ausgaben und Übersetzungen vor sein leben dagegen ist mehr als umstritten als

[h p lovecraft album wikipedia](#) - Feb 26 2022

web background the album blended psychedelic and folk rock influences and was marked by the haunting eerie ambiance of the band s music which itself was often inspired by the literary works of horror writer h p lovecraft after whom the band had named themselves

h p lovecraft band wikipedia - Mar 30 2022

web h p lovecraft war eine us amerikanische psychedelische rockband benannt nach dem us amerikanischen autor h p lovecraft die 1967 in chicago gegründet wurde und im jahr darauf nach san francisco zog die gruppe bestand aus george edwards gitarre gesang dave michaels keyboards gesang jerry mcgeorge bass michael tegza

h p lovecraft leben und werk band i 1890 1924 band - May 12 2023

web h p lovecraft leben und werk band i 1890 1924 band ii 1925 1937 zustand leichte gebrauchsspuren verlag golkonda seiten 1404 gesamt gewicht 2077 g ort münchen auflage deutschsprachige erstausgabe einband hardcover gebunden

sprache deutsch beschreibung

amazon de kundenrezensionen h p lovecraft leben und werk band 1 - Dec 27 2021

web finde hilfreiche kundenrezensionen und rezensionsbewertungen für h p lovecraft leben und werk band 1 1890 1924 auf amazon de lese ehrliche und unvoreingenommene rezensionen von unseren nutzern

h p lovecraft leben und werk band 1 1890 1924 german - Jan 08 2023

web h p lovecraft leben und werk band 1 1890 1924 german edition ebook joshi s t fliedner andreas amazon in kindle store

h p lovecraft leben und werk band 1 1890 1924 overdrive - Feb 09 2023

web you are in page mode h p lovecraft leben und werk band 1 s t joshi andreas fliedner

h p lovecraft leben und werk 1 amazon de - Jun 13 2023

web das 734 seitige hardcover h p lovecraft leben und werk 1 auf deutsch 2017 erschienen ist der erste teil einer zweibändigen biographischen ausgabe über das leben und das literarische werk des us amerikaners howard phillips lovecraft 1890 1937 dem autoren unheimlich phantastischer romane erzählungen und kurzgeschichten

leben und werk golkonda verlag - Dec 07 2022

web howard phillips lovecraft 1890 1937 war gewiss der bedeutendste autor phantastischer literatur des zwanzigsten jahrhunderts aber braucht man deshalb gleich eine zweibändige biographie über ihn die antwort ist einfach und eindeutig ja

amazon h p lovecraft leben und werk band 1 1890 1924 - Oct 05 2022

web oct 23 2017 h p lovecraft leben und werk band 1 1890 1924 german edition kindle edition by joshi s t fliedner andreas download it once and read it on your kindle device pc phones or tablets use features like bookmarks note taking and highlighting while reading h p lovecraft leben und werk band 1 1890 1924

h p lovecraft leben und werk band 1 overdrive - Apr 11 2023

web oct 23 2017 isbn 9783944720517 author s t joshi publisher golkonda verlag release 23 oktober 2017 subjects literary criticism find this title in libby the library reading app by overdrive search for a digital library with this title search by city zip code or library name title found at these libraries sorry no libraries found

h p lovecraft leben und werk band 1 1890 1924 - Aug 03 2022

web schrecken bei h p lovecraft h p lovecraft leben und werk band 1 1890 1924 downloaded from japanalert bananacoding com by guest callahan rogers choose cthulhu 1 cthulhus ruf anaconda verlag der größte horrorautor des 20 jahrhunderts ist h p lovecraft daran gibt es keinen zweifel stephen king ein junger mann begibt

h p lovecraft band wikipedia - Apr 30 2022

web h p lovecraft was an american psychedelic rock band formed in chicago illinois in 1967 and named after the horror writer h p lovecraft 1 2 much of the band s music was possessed of a haunting eerie ambience and consisted of material that

was inspired by the macabre writings of the author whose name they had adopted 3

h p lovecraft leben und werk band 1 1890 1924 pdf copy - Sep 04 2022

web gesammelte werke h p lovecraft 2023 10 04 das werk von h p lovecraft ist der blanke horror mit wohligen grusel hat sich der amerikanische schriftsteller nicht zufriedengegeben er stimulierte seine fantasie zu verstörenden geschichten der alptraumhaftesten sorte

hp lovecraft discography discogs - Jun 01 2022

web us psychedelic folk rock band formed in chicago illinois in 1967 named after the american supernatural fiction writer h p lovecraft released two albums for philips before disbanding in 1969 shortened their name to lovecraft 1969 1971 releasing one album on reprise records and later regrouping as love craft 2 1975 1976

h p lovecraft leben und werk band 1 1890 1924 google - Aug 15 2023

web jahrhunderts im angloamerikanischen raum ist er längst als klassiker anerkannt und auf deutsch liegt sein werk in verschiedenen ausgaben und Übersetzungen vor sein leben dagegen ist mehr

Супер српски serbian for foreigners advanced - Mar 31 2022

web učimo srpski 2 srpski jezik za strance srednji nivo 3 izdanje serbian for foreigners intermediate level 3rd edition 3100 din gramatika srpskog jezika za strance sa

naučimo srpski 2 let s learn serbian 2 cd 2 skriptarnica - Aug 04 2022

web download naučimo srpski 2 pdf type pdf date october 2020 size 17 8mb author bloody alice this document was uploaded by user and they confirmed that they have

naucimo srpski 2 mypthumb - Dec 28 2021

web 2 2 naucimo srpski 2 2020 03 30 recreates historical events for his students on a school bus an endeavor that overwhelms the teacher with the brutality of the act let s learn

naučimo srpski 2 let s learn serbian 2 cd 1 - Oct 06 2022

web jan 1 2007 naučimo srpski 2 let s learn serbian 2 alanovic milivoj 9788684097844 amazon com books

Учимо српски 1 vi издање serbian for foreigners - Feb 27 2022

web serbian language level 2 a2 vdu naucimo srpski 1 let s learn serbian 1 amazon co uk formats and editions of u imo srpski 2 srpski jezik za u imo srpski 1 iv

naucimo srpski 2 - Nov 26 2021

web naucimo srpski 2 october 9th 2018 serbian language level 1 a1 short course annotation this course for beginners is based on communicative language teaching

pdf naučimo srpski 2 pdf free download pdf - Jul 15 2023

web may 25 2021 naučimo srpski 2 pdf may 25 2021 author anonymous category n a report this link download pdf share embed

[naučimo srpski 2 let s learn serbian 2 milivoj alanović](#) - Apr 12 2023

web naučimo srpski 2 radna sveska free download as pdf file pdf or read online for free

download pdf naučimo srpski 2 pdf 8lyz6d5gwnqd doku - Jul 03 2022

web učimo srpski 2 je udžbenik namenjen učenicima osnovnih škola koji uče srpski jezik ovo je novo četvrto izdanje knjige napisane na srpskom jeziku u latinici koju su pripremile

azbukum centre for serbian language and culture - Feb 10 2023

web aug 28 2018 naučimo srpski 2 let s learn serbian 2 radna sveska milivoj alanović isidora bjelaković nataša bugarski jasmína dražić marina kurešević jelena vojnović

učimo srpski 2 udžbenik za učenje srpskog jezika - Sep 24 2021

azbukum centre for serbian language and culture - May 13 2023

web udžbenik radna sveska i cd naučimo srpski 2 rezultat su zajedničkog iskustva u radu sa stranim studentima u centru za srpski jezik kao strani i međunarodnoj letnjoj školi

naucimo srpski 2 - Oct 26 2021

web slikovit zanimljiv i koristan udžbenik za one koji već poznaju osnove srpske gramatike a žele da se jezikom služe bolje knjiga nudi interesantne teme za prisvajanje novog

naučimo srpski 2 pdf 8lyz6d5gwnqd doku - Jun 14 2023

web download view naučimo srpski 2 pdf as pdf for free more details pages 145 preview full text download view naučimo srpski 2 pdf as pdf for free related documents

učimo srpski 2 novo Četvrto izdanje od nataša milićević - Jun 02 2022

web Учебники Научимо српски вы можете скачать бесплатно и без регистрации по прямой ссылке в формате pdf Аудио уроки к учебникам доступны в формате mp3

naucimo srpski 2 - Jan 29 2022

web naucimo srpski 2 srpski za strance serbian for foreigners vojnovi level 2 a2 short course annotation this course presents a follow up programme of the previous

naučimo srpski 2 komplet let s learn serbian delfi knjižare - Nov 07 2022

web aug 28 2018 naučimo srpski 2 let s learn serbian 2 cd 1 400 00 rsd dodaj u korpu Šifra proizvoda 166kategorija srpski jezik i lingvistika opis

naučimo srpski 2 let s learn serbian 2 udžbenik - Dec 08 2022

web cena 4 990 00 din mek povez e knjiga audio knjiga potpisan primerak nije na stanju obavesti me kad artikal bude ponovo dostupan besplatna isporuka za porudžbine iznad

naučimo srpski 2 pdf pdf scribd - Aug 16 2023

web save save naučimo srpski 2 pdf for later 80 80 found this document useful mark this document as useful 20 20 found this document not useful mark this document as

[naučimo srpski 2 let s learn serbian 2 amazon com](#) - Sep 05 2022

web aug 28 2018 naučimo srpski 2 let s learn serbian 2 cd 2 400 00 rsd dodaj u korpu Šifra proizvoda 167kategorija srpski jezik i lingvistika

naučimo srpski 2 radna sveska pdf scribd - Mar 11 2023

web what is azbukum azbukum is a serbian language school and a centre for serbian culture it is founded in 1995 as an independant and non profit assotiation specialized in

naučimo srpski 2 let s learn serbian 2 radna sveska - Jan 09 2023

web aug 28 2018 naučimo srpski 2 let s learn serbian 2 milivoj alanović isidora bjelaković nataša bugarski jasmina dražić marina kurešević jelena vojnović crteži

Научимо српски - May 01 2022

web učimo srpski 2 srpski jezik za strance srednji nivo 3 izdanje serbian for foreigners intermediate level 3rd edition 3100 din učimo srpski 1 vi izdanje serbian for foreigners