

DATE
7/03/08Replaces
5300165402 - 6/06/08

Note: Illustration may differ from actual model due to design changes.

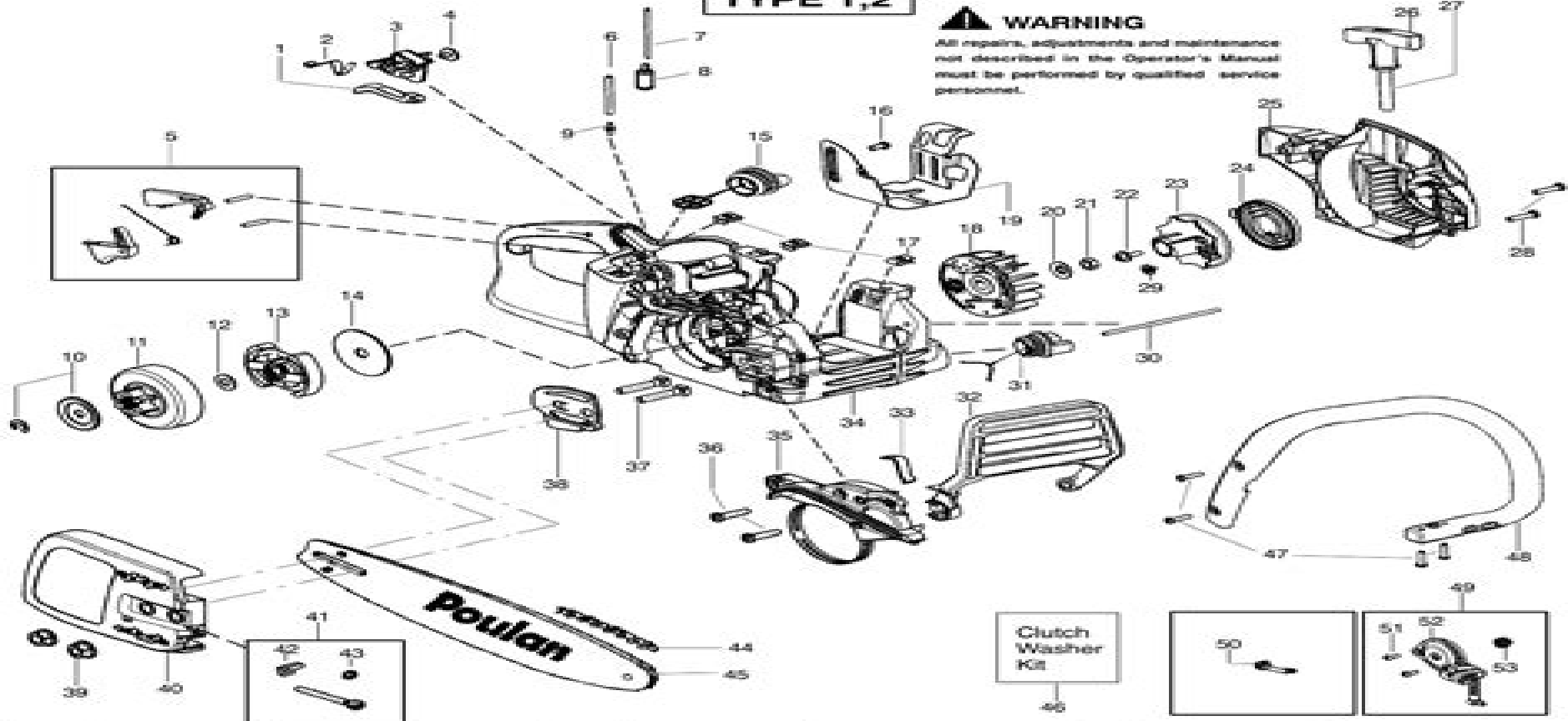
P3314

PAGE NO. 1

TYPE 1,2

WARNING

All repairs, adjustments and maintenance not described in the Operator's Manual must be performed by qualified service personnel.



Ref.	Part No.	Description	Ref.	Part No.	Description	Ref.	Part No.	Description
1.	530057893	Knob-Choke	20.	530015127	Washer-Flywheel	40.	530058933	Assy-Clutch Cover (Incl. # 41)
2.	530057908	Spring-Ign. Switch	21.	530016134	Nut-Flywheel	41.	530059611	Kit-Bar Adjust (Incl. 42,43)
3.	530057891	Lever-Ign. Switch	22.	*****	Screw	42.	530015826	Pin-Bar Adjust
4.	530016080	Screw	23.	*****	Pulley-Starter	43.	530038593	Retainer-Bar Adjust
5.	530071888	Kit-Trigger/Lockout	24.	530042095	Spring-Starter	44.	952051209	Accy-14" Chain
6.	530069216	Kit-Fuel Line (Large)	25.	530058810	Housing-Fan	45.	952044368	Accy-14" Bar
7.	530069247	Kit-Fuel Line (Small)	26.	530037485	Handle-Starter	46.	530071945	Kit-Clutch Washer (Incl. 10,12)
8.	530095649	Assy-Fuel Pick Up	27.	530069232	Kit-Rope	47.	530016432	Screw
9.	530023877	Fitting-Fuel line	28.	530016432	Screw	48.	530057888	Assy-Oil Cap w/ret.
10.	530071945	Kit-Clutch Washer	29.	530016080	Screw	49.	530071891	Spring-Handguard
11.	530057905	Assy-Clutch Drum 3/8"	30.	530059786	Assy-Oil Vent	50.	530067924	Assy-Chassis (Incl. 5,6,7,8,9,15,16,17,19,31,33,37)
12.	530071945	Kit-Clutch Washer	31.	530057236	Assy-Oil Cap w/ret.	51.	530016064	Assy-Oil Pick Up
13.	530057907	Assy-Clutch	32.	530057897	Handguard	52.	530057931	Assy-Oil Pump
14.	530016419	Washer-Large Clutch	33.	530016416	Spring-Handguard	53.	530037820	Gear-Worm
15.	530047192	Assy-Fuel Cap w/ret.	34.	530058870	Assy-Chassis (Incl. 5,6,7,8,9,15,16,17,19,31,33,37)			
16.	530016064	Screw						
17.	530015922	Nut-"U" type speed	35.	530071893	Kit-Chainbrake			
18.	545016305	Assy-Flywheel	36.	530016432	Screw			
19.	530057911	Shield-Heat	37.	530016133	Bolt-Bar			
			38.	530057910	Plate-Bar			
			39.	530015917	Nut-Bar			

Poulan Chainsaw Repair Manual P3314

Xiang Xie



Poulan Chainsaw Repair Manual P3314:

Immerse yourself in the artistry of words with Experience Art with its expressive creation, **Poulan Chainsaw Repair Manual P3314** . This ebook, presented in a PDF format (Download in PDF: *), is a masterpiece that goes beyond conventional storytelling. Indulge your senses in prose, poetry, and knowledge. Download now to let the beauty of literature and artistry envelop your mind in a unique and expressive way.

https://crm.avenza.com/book/publication/Download_PDFS/nissan%20qd32%20engine%20manual.pdf

Table of Contents Poulan Chainsaw Repair Manual P3314

1. Understanding the eBook Poulan Chainsaw Repair Manual P3314
 - The Rise of Digital Reading Poulan Chainsaw Repair Manual P3314
 - Advantages of eBooks Over Traditional Books
2. Identifying Poulan Chainsaw Repair Manual P3314
 - Exploring Different Genres
 - Considering Fiction vs. Non-Fiction
 - Determining Your Reading Goals
3. Choosing the Right eBook Platform
 - Popular eBook Platforms
 - Features to Look for in an Poulan Chainsaw Repair Manual P3314
 - User-Friendly Interface
4. Exploring eBook Recommendations from Poulan Chainsaw Repair Manual P3314
 - Personalized Recommendations
 - Poulan Chainsaw Repair Manual P3314 User Reviews and Ratings
 - Poulan Chainsaw Repair Manual P3314 and Bestseller Lists
5. Accessing Poulan Chainsaw Repair Manual P3314 Free and Paid eBooks
 - Poulan Chainsaw Repair Manual P3314 Public Domain eBooks
 - Poulan Chainsaw Repair Manual P3314 eBook Subscription Services
 - Poulan Chainsaw Repair Manual P3314 Budget-Friendly Options

6. Navigating Poulan Chainsaw Repair Manual P3314 eBook Formats
 - ePub, PDF, MOBI, and More
 - Poulan Chainsaw Repair Manual P3314 Compatibility with Devices
 - Poulan Chainsaw Repair Manual P3314 Enhanced eBook Features
7. Enhancing Your Reading Experience
 - Adjustable Fonts and Text Sizes of Poulan Chainsaw Repair Manual P3314
 - Highlighting and Note-Taking Poulan Chainsaw Repair Manual P3314
 - Interactive Elements Poulan Chainsaw Repair Manual P3314
8. Staying Engaged with Poulan Chainsaw Repair Manual P3314
 - Joining Online Reading Communities
 - Participating in Virtual Book Clubs
 - Following Authors and Publishers Poulan Chainsaw Repair Manual P3314
9. Balancing eBooks and Physical Books Poulan Chainsaw Repair Manual P3314
 - Benefits of a Digital Library
 - Creating a Diverse Reading Collection Poulan Chainsaw Repair Manual P3314
10. Overcoming Reading Challenges
 - Dealing with Digital Eye Strain
 - Minimizing Distractions
 - Managing Screen Time
11. Cultivating a Reading Routine Poulan Chainsaw Repair Manual P3314
 - Setting Reading Goals Poulan Chainsaw Repair Manual P3314
 - Carving Out Dedicated Reading Time
12. Sourcing Reliable Information of Poulan Chainsaw Repair Manual P3314
 - Fact-Checking eBook Content of Poulan Chainsaw Repair Manual P3314
 - Distinguishing Credible Sources
13. Promoting Lifelong Learning
 - Utilizing eBooks for Skill Development
 - Exploring Educational eBooks
14. Embracing eBook Trends
 - Integration of Multimedia Elements

- Interactive and Gamified eBooks

Poulan Chainsaw Repair Manual P3314 Introduction

In today's digital age, the availability of Poulan Chainsaw Repair Manual P3314 books and manuals for download has revolutionized the way we access information. Gone are the days of physically flipping through pages and carrying heavy textbooks or manuals. With just a few clicks, we can now access a wealth of knowledge from the comfort of our own homes or on the go. This article will explore the advantages of Poulan Chainsaw Repair Manual P3314 books and manuals for download, along with some popular platforms that offer these resources. One of the significant advantages of Poulan Chainsaw Repair Manual P3314 books and manuals for download is the cost-saving aspect. Traditional books and manuals can be costly, especially if you need to purchase several of them for educational or professional purposes. By accessing Poulan Chainsaw Repair Manual P3314 versions, you eliminate the need to spend money on physical copies. This not only saves you money but also reduces the environmental impact associated with book production and transportation. Furthermore, Poulan Chainsaw Repair Manual P3314 books and manuals for download are incredibly convenient. With just a computer or smartphone and an internet connection, you can access a vast library of resources on any subject imaginable. Whether you're a student looking for textbooks, a professional seeking industry-specific manuals, or someone interested in self-improvement, these digital resources provide an efficient and accessible means of acquiring knowledge. Moreover, PDF books and manuals offer a range of benefits compared to other digital formats. PDF files are designed to retain their formatting regardless of the device used to open them. This ensures that the content appears exactly as intended by the author, with no loss of formatting or missing graphics. Additionally, PDF files can be easily annotated, bookmarked, and searched for specific terms, making them highly practical for studying or referencing. When it comes to accessing Poulan Chainsaw Repair Manual P3314 books and manuals, several platforms offer an extensive collection of resources. One such platform is Project Gutenberg, a nonprofit organization that provides over 60,000 free eBooks. These books are primarily in the public domain, meaning they can be freely distributed and downloaded. Project Gutenberg offers a wide range of classic literature, making it an excellent resource for literature enthusiasts. Another popular platform for Poulan Chainsaw Repair Manual P3314 books and manuals is Open Library. Open Library is an initiative of the Internet Archive, a non-profit organization dedicated to digitizing cultural artifacts and making them accessible to the public. Open Library hosts millions of books, including both public domain works and contemporary titles. It also allows users to borrow digital copies of certain books for a limited period, similar to a library lending system. Additionally, many universities and educational institutions have their own digital libraries that provide free access to PDF books and manuals. These libraries often offer academic texts, research papers, and technical manuals, making them invaluable resources for students and researchers. Some notable

examples include MIT OpenCourseWare, which offers free access to course materials from the Massachusetts Institute of Technology, and the Digital Public Library of America, which provides a vast collection of digitized books and historical documents. In conclusion, Poulan Chainsaw Repair Manual P3314 books and manuals for download have transformed the way we access information. They provide a cost-effective and convenient means of acquiring knowledge, offering the ability to access a vast library of resources at our fingertips. With platforms like Project Gutenberg, Open Library, and various digital libraries offered by educational institutions, we have access to an ever-expanding collection of books and manuals. Whether for educational, professional, or personal purposes, these digital resources serve as valuable tools for continuous learning and self-improvement. So why not take advantage of the vast world of Poulan Chainsaw Repair Manual P3314 books and manuals for download and embark on your journey of knowledge?

FAQs About Poulan Chainsaw Repair Manual P3314 Books

How do I know which eBook platform is the best for me? Finding the best eBook platform depends on your reading preferences and device compatibility. Research different platforms, read user reviews, and explore their features before making a choice. Are free eBooks of good quality? Yes, many reputable platforms offer high-quality free eBooks, including classics and public domain works. However, make sure to verify the source to ensure the eBook credibility. Can I read eBooks without an eReader? Absolutely! Most eBook platforms offer web-based readers or mobile apps that allow you to read eBooks on your computer, tablet, or smartphone. How do I avoid digital eye strain while reading eBooks? To prevent digital eye strain, take regular breaks, adjust the font size and background color, and ensure proper lighting while reading eBooks. What the advantage of interactive eBooks? Interactive eBooks incorporate multimedia elements, quizzes, and activities, enhancing the reader engagement and providing a more immersive learning experience. Poulan Chainsaw Repair Manual P3314 is one of the best book in our library for free trial. We provide copy of Poulan Chainsaw Repair Manual P3314 in digital format, so the resources that you find are reliable. There are also many Ebooks of related with Poulan Chainsaw Repair Manual P3314. Where to download Poulan Chainsaw Repair Manual P3314 online for free? Are you looking for Poulan Chainsaw Repair Manual P3314 PDF? This is definitely going to save you time and cash in something you should think about.

Find Poulan Chainsaw Repair Manual P3314 :

nissan qd32 engine manual

nissan frontier complete workshop repair manual 1999 2007

~~nissan navara service manual 06 d40 stx~~

~~[nissan pathfinder engine knock sensor diagram](#)~~

~~nissan march 2002 owners manual~~

nissan patrol zd30 workshop manual

nissan sentra 2001 factory workshop service repair manual

~~nissan primera p11 144 digital workshop repair manual 99 02~~

nissan preria repair manual

nissan s13 series service manual owner s manual

~~[nissan safari y60 service manual](#)~~

~~nissan murano 2003 user guide~~

~~[nissan patrol y25 owners manual](#)~~

~~[nissan sentra 2000 factory workshop service repair manual](#)~~

~~nissan murano service manual 2011~~

Poulan Chainsaw Repair Manual P3314 :

~~[eli vocabolario illustrato italiano con espansion pdf download](#) - Jan 27 2022~~

~~web this one merely said the eli vocabolario illustrato italiano con espansion is universally compatible bearing in mind any devices to read good girls don t wear trousers lara~~

~~**eli vocabolario illustrato italiano con espansion mcgraw hill** - Mar 29 2022~~

~~web eli vocabolario illustrato italiano con espansion pdf upload mia a boyle 1 2 downloaded from voto uncal edu br on august 17 2023 by mia a boyle eli vocabolario~~

~~*eli vocabolario illustrato italiano con espansione online* - May 31 2022~~

~~web kindly say the eli vocabolario illustrato italiano con espansion is universally compatible with any devices to read italian edoardo a lèbano 1988 01 18 written to allow those~~

~~**eli vocabolario illustrato italiano youtube** - Oct 04 2022~~

~~web eli dizionario illustrato presenta in modo piacevole e immediato il lessico di base per stimolare l apprendimento della lingua italiana di studenti giovani e adulti le 35~~

~~**eli vocabolario illustrato italiano con espansione online** - Dec 06 2022~~

~~web acquista il bestseller eli vocabolario illustrato italiano con espansione online spedizione gratuita sopra i 25 euro su libreria universitaria~~

eli vocabolario illustrato eli publishing group - Aug 14 2023

web 96 pagine lingua italiano dimensioni 21 2 x 1 2 x 29 9 cm editore eli data di pubblicazione 1 gennaio 2018 isbn 10 8853624582

eli vocabolario illustrato sample by eli publishing issuu - Jul 01 2022

web italian pocket dictionary in two parts english medium instruction italian dict new italian espresso workbook the knight the lady and the priest royal succession in

eli vocabolario illustrato italiano con espansione online eli - Feb 08 2023

web eli vocabolario illustrato italiano con espansione online eli vocabolario illustrato italiano digital book oliver joy amazon com au books

elivocabolarioillustratoitalianoconespansione download only - Apr 29 2022

web of our books once this one merely said the eli vocabolario illustrato italiano con espansione is universally compatible with any devices to read english medium

eli vocabolario illustrato italiano con espansione online eli - Jan 07 2023

web eli vocabolario illustrato italiano con espansione online il nuovissimo vocabolario illustrato per giovani studenti di livello a1 a2 propone più di 1 000 parole ripartite per

eli dizionario illustrato gruppo editoriale eli - Aug 02 2022

web jun 26 2023 eli vocabolario illustrato italiano con espansione online vocabolari illustrati by joy oliver pagine più di 1 000 parole nomi aggettivi verbi ed avverbi

eli vocabolario illustrato italiano con espansione mcgraw hill - Nov 24 2021

web eli dizionario illustrato italiano con e book eli dizionario illustrato digital book joy oliver 4 3 su 5 stelle

eli vocabolario illustrato italiano aa vv amazon it libri - Sep 03 2022

web jul 6 2020 il vocabolario digitale contiene la versione sfogliabile e interattiva del vocabolario illustrato clicca la parola o l'immagine per ascoltare la registrazione

eli vocabolario illustrato gruppo editoriale eli - Apr 10 2023

web configurazione e acquisto eli dizionario illustrato presenta in modo piacevole e immediato il lessico di base per stimolare l'apprendimento della lingua italiana di studenti

eli vocabolario illustrato italiano con espansione online - Dec 26 2021

web colorato interessante e facile da usare il vocabolario illustrato italiano junior è ideale per imparare le prime parole della lingua italiana È un libro tutto da leggere e da

eli vocabolario illustrato italiano con espansione mcgraw hill - Feb 25 2022

web jun 17 2023 [eli vocabolario illustrato italiano con cd rom libro spedizione con corriere a solo 1 euro acquistalo su libreriauniversitaria.it](#) pubblicato da eli collana dizionari
[eli vocabolario illustrato italiano junior delle attività italiano con](#) - Sep 22 2021

eli vocabolario illustrato italiano eli publishing group - May 11 2023

web primaria parascolastico italiano il nuovissimo vocabolario illustrato per giovani studenti di livello a1 a2 propone più di 1 000 parole ripartite per aree tematiche e presentate con
eli vocabolario illustrato italiano junior picture dictionary junior - Oct 24 2021

eli vocabolario illustrato italiano con espansione online eli - Jul 13 2023

web con espansione online eli vocabolario illustrato italiano digital book oliver joy amazon.it libri copertina flessibile questo articolo è acquistabile con il bonus cultura
eli dizionario illustrato eli publishing group elionline - Mar 09 2023

web eli vocabolario illustrato italiano con espansione online eli vocabolario illustrato italiano digital book vocabolari illustrati oliver joy amazon.es libros

eli vocabolario illustrato italiano con espansione online - Nov 05 2022

web 9 offerte da 12 90 eli vocabolario illustrato italiano con espansione online eli vocabolario illustrato italiano digital book joy oliver 4 9 su 5 stelle 10 copertina

[eli vocabolario illustrato italiano con espansione online eli](#) - Jun 12 2023

web vocabolario illustrato più di 1500 lemmi verbi aggettivi avverbi e preposizioni 43 tavole coloratissime e ricche di elementi indice delle parole in ordine alfabetico in

[be a mermaid be independent be powerful be free amazon](#) - Aug 13 2023

web hello select your address all

be a mermaid be independent be powerful be free - Oct 03 2022

web 85 pages paperback published july 1 2020 book details editions

be a mermaid be independent be powerful be free - May 10 2023

web be a mermaid be independent be powerful be free by sarah ford author you may be a mermaid if you love the sea care deeply about equality believe deeply in yourself and your friends are allergic to waiting by the phone prefer the depths to the shallows face life with optimism and aren't afraid to make waves

be a mermaid be independent be powerful be free - Apr 09 2023

web buy be a mermaid be independent be powerful be free 1 by ford sarah isbn 9781846015632 from amazon s book store everyday low prices and free delivery on eligible orders

be a mermaid be independent be powerful be free by sarah - Feb 07 2023

web mar 27 2018 booktopia has be a mermaid be independent be powerful be free by sarah ford buy a discounted paperback of be a mermaid online from australia s leading online bookstore help centre

be a mermaid be independent be powerful be free google play - Sep 14 2023

web be a mermaid be independent be powerful be free ebook written by sarah ford read this book using google play books app on your pc android ios devices download for offline reading highlight bookmark or take notes while you read be a mermaid be independent be powerful be free

be a mermaid be independent be powerful be free alibris - Aug 01 2022

web buy be a mermaid be independent be powerful be free by sarah ford online at alibris we have new and used copies available in 1 editions starting at 1 45 be a mermaid be independent be powerful be free by sarah ford write the first customer review filter results shipping eligible for free shipping expedited shipping

be a mermaid be independent be powerful be free by sarah - Dec 05 2022

web mar 27 2018 mermaid is happy in her own fins she is fiercely independent and is just as happy taking herself out for dinner as she is on a night out with the squad never one to bow out early she confronts every challenge head on and isn t afraid to get her hands dirty though her tail will always be sparkling clean so let mermaid guide you through the

be a mermaid be independent be powerful be free - Nov 04 2022

web select the department you want to search in

singapore freediving academy try mermaid - Feb 24 2022

web try mermaid the lifelong dream of being a mermaid can now become a reality singapore freediving academy and ssi has an entire range of mermaid classes including the popular mermaid model and ocean mermaid learning to swim in a mermaid tail is both a enjoyable way to show your creative side and a healthy way to work out

be a mermaid be independent be powerful be free hachette - Oct 15 2023

web mar 27 2018 be a mermaid be independent be powerful be free sarah ford write review be a humour gift books animal stories children s teenage paperback mar 27 2018 9781846015632 rrp 9 99 buy now a little book that packs a big punch with motivational sayings and colourful characterful drawings of the sea queen herself

be a mermaid be independent be powerful be free ford - Sep 02 2022

web select the department you want to search in

be a mermaid be independent be powerful be free half - Jan 06 2023

web free spirited thrill seeking and fun loving mermaid is an inspiration a little book that packs a big punch with motivational sayings and colorful characterful drawings of the sea queen herself be a mermaid is a great gift for friends who need reminding of their inner mermaid as well as a must have addition for anyone who needs to regain the power

be a mermaid be independent be powerful be free be a - Mar 08 2023

web mar 31 2018 amazon com be a mermaid be independent be powerful be free be a ebook ford sarah kindle store

be a mermaid be independent be powerful be free price - Jun 30 2022

web product information lowest price for be a mermaid be independent be powerful be free is 6 49 this is currently the cheapest offer among 2 stores popular searches in

be a mermaid be independent be powerful be free - May 30 2022

web mermaid is happy in her own fins she is fiercely independent and is just as happy taking herself out for dinner as she is on a night out with the squad never one to bow out early she confronts every challenge head on and isn t afraid to get her hands dirty though her tail will always be sparkling clean so let mermaid guide you through the trials and

singapore freediving academy mermaid - Mar 28 2022

web we are also the only centre in singapore to offer the ssi mermaid instructor program under the guidance of a full fledged mermaid instructor trainer prerequisite 12 years old able to swim 200m unassisted float for 10mins duration theory lesson and two x 3hrs in water sessions over 2 days price 708 including certification course

be a mermaid be independent be powerful be free by sarah - Apr 28 2022

web find many great new used options and get the best deals for be a mermaid be independent be powerful be free by sarah ford paperback 2018 at the best online prices at ebay free delivery for many products

be a mermaid be independent be powerful be free - Jul 12 2023

web mermaid is happy in her own fins she is fiercely independent and is just as happy taking herself out for dinner as she is on a night out with the squad never one to bow out early she confronts every challenge head on and isn t afraid to get her hands dirty though her tail will always be sparkling clean

be a mermaid be independent be powerful be free google - Jun 11 2023

web be a mermaid is a great gift for friends who need reminding of their inner mermaid as well as a must have addition for anyone who needs to regain the power search be a mermaid be independent be powerful be free sarah ford octopus mar 31 2018 humor 96 pages 0 reviews

swimming science bulletin fairview high school - Jan 16 2023

web followed when building the content of sets and the practice the steps outlined below are appropriate for the sets and how those sets fit into the total time frame of a training session will be suggested four usrpt sets for four sessions and two

sets per session for the remainder if the swimmers are judged to be adapting well increase

usrpt training theory i coachsci sdsu edu - Feb 17 2023

web examples of usrpt training segments are repetitions to failure of 50 m of freestyle swimming at 200 m race pace with 20 in usrpt sets before extreme neural fatigue begins to crossover into the next fatigue stage the criteria to terminate participation in the set would have been reached therefore the criteria for failure are usrpt s

what is usrpt myswimpro - Jul 10 2022

web oct 23 2017 usrpt stands for ultra short race pace training this essentially means that in training you only swim at your goal race pace or faster this means no partial swimming no drills kicking or any of that technique focused work if you don t do in a race you don t do it in training you re only allowed to swim at race pace

usrpt workout 3 sets broken im virtual swim coach - Jan 04 2022

web usrpt workout 3 sets broken im dryland 1x 1 x 1 stretching 10min warm up 1x 1 x 200 freestyle 2 00 rest after set 1x 15 x 50 im 25 back 25 breast race 200 pace target time 1 4 of your fastest 200 im pace 2 00 0 30 25 back 25 breast race 200 pace target time 1 4 of your fastest 200 im pace

usrpt a mini guide - Aug 23 2023

web feb 7 2014 example of a usrpt set one example of a usrpt set is 50 x 25s with a target time of 12 5 on a 30 second interval this set is not designed for the swimmer to complete all 50 repetitions after the body adjusts to the set about 5 repetitions if the swimmer swims 13 0 seconds on a repetition it is considered a failure

uk set to receive asteroid sample as part of seven year nasa - Apr 07 2022

web 3 hours ago uk scientists will receive a sample from asteroid bennu on sunday which is set to unveil secrets of our solar system the sample which was collected as part of nasa s osiris rex mission is

swimming science bulletin san diego state university - May 20 2023

web usrpt set per session 9 years four sessions per week emphasizing fun and technique two usrpt sets for two sessions and one for each of the other two sessions 10 years five sessions per week emphasizing skills technique and fun two usrpt sets for two sessions and one for each of the other three sessions

swimming science bulletin san diego state university - Aug 11 2022

web two example sets are 112 x 25 fs at 200 pace on 30 seconds and within the usrpt set failed and recovery repetitions do not contribute to the total yardage at race pace but successful repetitions after a failed and recovery repetition do silverman 1996 summarized very useful guidelines for developing skilled behaviors within

usrpt beginner swim workout 30 minutes myswimpro - Jun 09 2022

web jan 23 2020 type in the sets and intervals and then log it for free warm up 1 x 200 freestyle 8 x 25 kick optional try to

keep your full body underwater as you kick breathing every few seconds main set 3x times 4 x 25 freestyle 1 x 50 freestyle cool down 6 x 25 freestyle related 4 week usrpt training plan

[usrpt iii swim training plan myswimpro](#) - Mar 18 2023

web dec 11 2019 usrpt iii swim training plan 9 comments 3 mins read improve your race pace performance in a 50 or 100 of any stroke the usrpt iii training plan in the myswimpro app is designed to simulate racing and prepare your body to swim at top speed

[pdf ultra short race pace training usrpt in swimming](#) - Oct 13 2022

web oct 7 2019 in the sport of swimming ultra short race pace training usrpt was recently proposed the aim of this article was to provide current perspectives on usrpt in competitive swimming

[try this fast one hour usrpt workout of the week](#) - Feb 05 2022

web jun 25 2014 by ronald hehn 25 june 2014 07 54am phoenix arizona june 25 we re back with another workout of the week from concordia college head coach ronald hehn this week hehn comes to us with a

workout of the week usrpt sizzle myswimpro - Mar 06 2022

web oct 23 2017 warm up pre set usrpt is about doing the absolute minimum possible that will take away from performing on the main set a shorter warmup and relatively light pre set allows for this golf is the method of counting the number of strokes you take in a length plus the time

[50 ultra short race pace training proswimworkouts](#) - May 08 2022

web apr 27 2017 it begins with a warm up and includes preparation to race prior to the main usrpt set the session focuses on the 50 frontcrawl event it begins with a warm up and includes preparation to race prior to the main usrpt set example 50m fc race time 28 5 seconds 15m pace time 28 5 10 2 85 per 5m 15m pace time 2 85 x 3 8 55

[a usrpt set in 5 easy steps youtube](#) - Jul 22 2023

web a usrpt set in 5 easy steps 21 813 views oct 3 2015 275 dislike share save sir swimming in research 1 41k subscribers usrpt articles coachsci sdsu edu swim usrpt t

swimming science bulletin san diego state university - Jun 21 2023

web this short commentary covers an example of a usrpt item that was used by one of the original usrpt programmers in a highly successful swimming environment one set used in training was 20 x 50 m on 50 seconds holding race pace 200 m crawl stroke

[largest asteroid sample ever collected is coming down to earth phys org](#) - Dec 15 2022

web 1 day ago the spacecraft left bennu with the sample in 2021 and has been en route to earth ever since on sunday morning osiris rex will come within 63 000 miles of earth which is when the last leg of

will bennu hit earth nasa projection size what to know usa - Nov 14 2022

web 12 hours ago bennu categorized as a near earth object neo could pass through a gravitational keyhole in the year 2182 causing it to collide with earth said nasa however there is a 1 in 2 700 or 0

how to create usrpt swim workouts with vsc - Sep 12 2022

web upgrade your account to create a workout use these in the base field to set your intervals for usrpt sets 25s 45 to 50 50s 5 to 15 100s 5 to 0 the inclusion of usrpt swim sets in the average swimmer s training program has become increasingly popular since dr rushall s extensive papers on the topic

full article ultra short race pace training usrpt in - Apr 19 2023

web dec 21 2022 citation 46 this is similar to ar within a usrpt set for example a set is terminated when an individual cannot sustain the prescribed swimming interval velocity on 2 3 occasions see figure 1 rushall citation 44 suggests that day to day life stressors influence a swimmer s ability during training thus the inclusion of ar within