

**SAMSUNG**

## PROJECTION TV RECEIVER

Chassis : P54A(REV. 3)

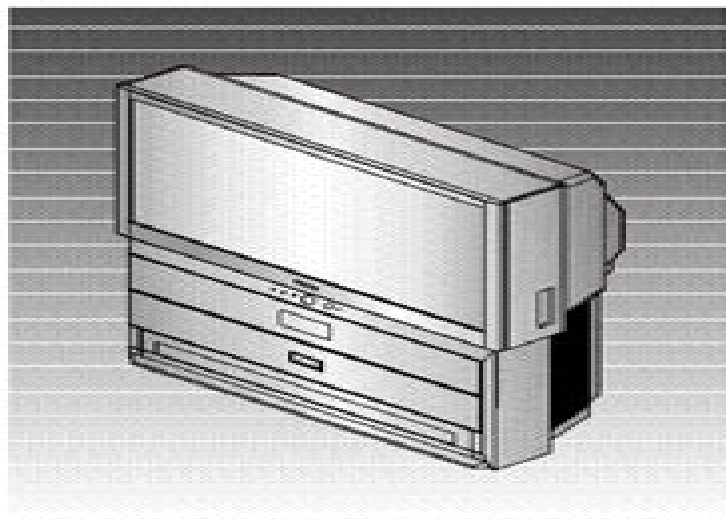
Model : HCM653W

HCM553W

HCM5525W

# **SERVICE** *Manual*

### PROJECTION TV RECEIVER



### CONTENTS

1. Precautions
2. Reference Information
3. Specifications
4. Alignment and Adjustments
5. Troubleshooting
6. Exploded View and Parts List
7. Electric Parts List
8. Block Diagrams
9. Wiring Diagram
10. Schematic Diagrams

# Samsung Hcm653w Hcm553w Hcm5525w Tv Service Manual

**Thomas Griffiths**



**Samsung Hcm653w Hcm553w Hcm5525w Tv Service Manual:**

This is likewise one of the factors by obtaining the soft documents of this **Samsung Hcm653w Hcm553w Hcm5525w Tv Service Manual** by online. You might not require more become old to spend to go to the book start as with ease as search for them. In some cases, you likewise pull off not discover the broadcast Samsung Hcm653w Hcm553w Hcm5525w Tv Service Manual that you are looking for. It will unquestionably squander the time.

However below, similar to you visit this web page, it will be for that reason utterly simple to get as well as download guide Samsung Hcm653w Hcm553w Hcm5525w Tv Service Manual

It will not tolerate many become old as we explain before. You can reach it even though play-act something else at house and even in your workplace. suitably easy! So, are you question? Just exercise just what we find the money for below as well as evaluation **Samsung Hcm653w Hcm553w Hcm5525w Tv Service Manual** what you similar to to read!

<https://crm.avenza.com/public/book-search/index.jsp/owners%20manual%20toyota%20corolla%202011.pdf>

## **Table of Contents Samsung Hcm653w Hcm553w Hcm5525w Tv Service Manual**

1. Understanding the eBook Samsung Hcm653w Hcm553w Hcm5525w Tv Service Manual
  - The Rise of Digital Reading Samsung Hcm653w Hcm553w Hcm5525w Tv Service Manual
  - Advantages of eBooks Over Traditional Books
2. Identifying Samsung Hcm653w Hcm553w Hcm5525w Tv Service Manual
  - Exploring Different Genres
  - Considering Fiction vs. Non-Fiction
  - Determining Your Reading Goals
3. Choosing the Right eBook Platform
  - Popular eBook Platforms
  - Features to Look for in an Samsung Hcm653w Hcm553w Hcm5525w Tv Service Manual
  - User-Friendly Interface
4. Exploring eBook Recommendations from Samsung Hcm653w Hcm553w Hcm5525w Tv Service Manual

- Personalized Recommendations
  - Samsung Hcm653w Hcm553w Hcm5525w Tv Service Manual User Reviews and Ratings
  - Samsung Hcm653w Hcm553w Hcm5525w Tv Service Manual and Bestseller Lists
5. Accessing Samsung Hcm653w Hcm553w Hcm5525w Tv Service Manual Free and Paid eBooks
- Samsung Hcm653w Hcm553w Hcm5525w Tv Service Manual Public Domain eBooks
  - Samsung Hcm653w Hcm553w Hcm5525w Tv Service Manual eBook Subscription Services
  - Samsung Hcm653w Hcm553w Hcm5525w Tv Service Manual Budget-Friendly Options
6. Navigating Samsung Hcm653w Hcm553w Hcm5525w Tv Service Manual eBook Formats
- ePub, PDF, MOBI, and More
  - Samsung Hcm653w Hcm553w Hcm5525w Tv Service Manual Compatibility with Devices
  - Samsung Hcm653w Hcm553w Hcm5525w Tv Service Manual Enhanced eBook Features
7. Enhancing Your Reading Experience
- Adjustable Fonts and Text Sizes of Samsung Hcm653w Hcm553w Hcm5525w Tv Service Manual
  - Highlighting and Note-Taking Samsung Hcm653w Hcm553w Hcm5525w Tv Service Manual
  - Interactive Elements Samsung Hcm653w Hcm553w Hcm5525w Tv Service Manual
8. Staying Engaged with Samsung Hcm653w Hcm553w Hcm5525w Tv Service Manual
- Joining Online Reading Communities
  - Participating in Virtual Book Clubs
  - Following Authors and Publishers Samsung Hcm653w Hcm553w Hcm5525w Tv Service Manual
9. Balancing eBooks and Physical Books Samsung Hcm653w Hcm553w Hcm5525w Tv Service Manual
- Benefits of a Digital Library
  - Creating a Diverse Reading Collection Samsung Hcm653w Hcm553w Hcm5525w Tv Service Manual
10. Overcoming Reading Challenges
- Dealing with Digital Eye Strain
  - Minimizing Distractions
  - Managing Screen Time
11. Cultivating a Reading Routine Samsung Hcm653w Hcm553w Hcm5525w Tv Service Manual
- Setting Reading Goals Samsung Hcm653w Hcm553w Hcm5525w Tv Service Manual
  - Carving Out Dedicated Reading Time
12. Sourcing Reliable Information of Samsung Hcm653w Hcm553w Hcm5525w Tv Service Manual

- Fact-Checking eBook Content of Samsung Hcm653w Hcm553w Hcm5525w Tv Service Manual
  - Distinguishing Credible Sources
13. Promoting Lifelong Learning
- Utilizing eBooks for Skill Development
  - Exploring Educational eBooks
14. Embracing eBook Trends
- Integration of Multimedia Elements
  - Interactive and Gamified eBooks

### **Samsung Hcm653w Hcm553w Hcm5525w Tv Service Manual Introduction**

In today's digital age, the availability of Samsung Hcm653w Hcm553w Hcm5525w Tv Service Manual books and manuals for download has revolutionized the way we access information. Gone are the days of physically flipping through pages and carrying heavy textbooks or manuals. With just a few clicks, we can now access a wealth of knowledge from the comfort of our own homes or on the go. This article will explore the advantages of Samsung Hcm653w Hcm553w Hcm5525w Tv Service Manual books and manuals for download, along with some popular platforms that offer these resources. One of the significant advantages of Samsung Hcm653w Hcm553w Hcm5525w Tv Service Manual books and manuals for download is the cost-saving aspect. Traditional books and manuals can be costly, especially if you need to purchase several of them for educational or professional purposes. By accessing Samsung Hcm653w Hcm553w Hcm5525w Tv Service Manual versions, you eliminate the need to spend money on physical copies. This not only saves you money but also reduces the environmental impact associated with book production and transportation. Furthermore, Samsung Hcm653w Hcm553w Hcm5525w Tv Service Manual books and manuals for download are incredibly convenient. With just a computer or smartphone and an internet connection, you can access a vast library of resources on any subject imaginable. Whether you're a student looking for textbooks, a professional seeking industry-specific manuals, or someone interested in self-improvement, these digital resources provide an efficient and accessible means of acquiring knowledge. Moreover, PDF books and manuals offer a range of benefits compared to other digital formats. PDF files are designed to retain their formatting regardless of the device used to open them. This ensures that the content appears exactly as intended by the author, with no loss of formatting or missing graphics. Additionally, PDF files can be easily annotated, bookmarked, and searched for specific terms, making them highly practical for studying or referencing. When it comes to accessing Samsung Hcm653w Hcm553w Hcm5525w Tv Service Manual books and manuals, several platforms offer an extensive collection of resources. One such platform is Project Gutenberg, a nonprofit organization that provides over 60,000 free eBooks. These books are primarily in the public domain,

meaning they can be freely distributed and downloaded. Project Gutenberg offers a wide range of classic literature, making it an excellent resource for literature enthusiasts. Another popular platform for Samsung Hcm653w Hcm553w Hcm5525w Tv Service Manual books and manuals is Open Library. Open Library is an initiative of the Internet Archive, a non-profit organization dedicated to digitizing cultural artifacts and making them accessible to the public. Open Library hosts millions of books, including both public domain works and contemporary titles. It also allows users to borrow digital copies of certain books for a limited period, similar to a library lending system. Additionally, many universities and educational institutions have their own digital libraries that provide free access to PDF books and manuals. These libraries often offer academic texts, research papers, and technical manuals, making them invaluable resources for students and researchers. Some notable examples include MIT OpenCourseWare, which offers free access to course materials from the Massachusetts Institute of Technology, and the Digital Public Library of America, which provides a vast collection of digitized books and historical documents. In conclusion, Samsung Hcm653w Hcm553w Hcm5525w Tv Service Manual books and manuals for download have transformed the way we access information. They provide a cost-effective and convenient means of acquiring knowledge, offering the ability to access a vast library of resources at our fingertips. With platforms like Project Gutenberg, Open Library, and various digital libraries offered by educational institutions, we have access to an ever-expanding collection of books and manuals. Whether for educational, professional, or personal purposes, these digital resources serve as valuable tools for continuous learning and self-improvement. So why not take advantage of the vast world of Samsung Hcm653w Hcm553w Hcm5525w Tv Service Manual books and manuals for download and embark on your journey of knowledge?

### **FAQs About Samsung Hcm653w Hcm553w Hcm5525w Tv Service Manual Books**

How do I know which eBook platform is the best for me? Finding the best eBook platform depends on your reading preferences and device compatibility. Research different platforms, read user reviews, and explore their features before making a choice. Are free eBooks of good quality? Yes, many reputable platforms offer high-quality free eBooks, including classics and public domain works. However, make sure to verify the source to ensure the eBook credibility. Can I read eBooks without an eReader? Absolutely! Most eBook platforms offer web-based readers or mobile apps that allow you to read eBooks on your computer, tablet, or smartphone. How do I avoid digital eye strain while reading eBooks? To prevent digital eye strain, take regular breaks, adjust the font size and background color, and ensure proper lighting while reading eBooks. What the advantage of interactive eBooks? Interactive eBooks incorporate multimedia elements, quizzes, and activities, enhancing the reader engagement and providing a more immersive learning experience. Samsung Hcm653w Hcm553w Hcm5525w Tv Service Manual is one of the best book in our library for free trial. We provide copy of Samsung Hcm653w

Hcm553w Hcm5525w Tv Service Manual in digital format, so the resources that you find are reliable. There are also many Ebooks of related with Samsung Hcm653w Hcm553w Hcm5525w Tv Service Manual. Where to download Samsung Hcm653w Hcm553w Hcm5525w Tv Service Manual online for free? Are you looking for Samsung Hcm653w Hcm553w Hcm5525w Tv Service Manual PDF? This is definitely going to save you time and cash in something you should think about.

**Find Samsung Hcm653w Hcm553w Hcm5525w Tv Service Manual :**

owners manual toyota corolla 2011

owners manual for kubota 3700

**owners manual walther nighthawk**

*owners manual for john deere stx30*

**p1 management accounting cima practice exam kit**

**p1 gauteng preliminary maths memo 2014**

~~owners manual for the wd 65733~~

~~p-e electrical license review manual~~

**owners manual ford f150 super crew 2015**

**owners manual yamaha 20d**

*owners manual for nissan bluebird sylphy g11 2007*

**owners manual for mercedes 380sl**

*owners manual for pt cruiser 2007*

~~oxford style guide~~

**owners manual for suzuki tu250x**

**Samsung Hcm653w Hcm553w Hcm5525w Tv Service Manual :**

*german schauss s speed guitar learn lightning fast alternate - Aug 04 2022*

web german schauss s speed guitar learn lightning fast alternate picking and coordination book online audio video by german schauss may 16th 2020 german lightspeeder schauss recognized all over the globe as one of the world s fastest guitarists takes you through the process learn to warm up properly and practice alternate

**german schauss s speed guitar alfred music - Jul 15 2023**

web learn lightning fast alternate picking and coordination by german schauss guitar book online video audio guitarists of all



styles from metal and rock to jazz and acoustic often feel the need for speed many players become pretty fast and a special few become speed demons if you want a shortcut to reaching your speed potential speed

*german schauss s speed guitar learn lightning fas copy* - May 01 2022

web lightning fas thank you for reading german schauss s speed guitar learn lightning fas maybe you have knowledge that people have look numerous times for their favorite books like this german schauss s speed guitar learn lightning fas but end up in malicious downloads rather than enjoying a good book with a cup of tea in the afternoon

*german schauss s speed guitar learn lightning fas pdf full* - Jul 03 2022

web german schauss s speed guitar learn lightning fas pdf unveiling the power of verbal art an emotional sojourn through german schauss s speed guitar learn lightning fas pdf in a global

german schauss s speed guitar learn lightning fast alternate - Aug 16 2023

web jan 1 2017 german lightspeeder schauss recognized all over the globe as one of the world s fastest guitarists takes you through the process learn to warm up properly and practice alternate picking using melodic patterns across all

german schauss s speed guitar learn lightning fas fauze - Sep 05 2022

web kindly say the german schauss s speed guitar learn lightning fas is universally compatible with any devices to read the society of fellows crane brinton 1959 rare earths joel d wallach 1996 legato guitar technique mastery joseph alexander 2019 11 07 discover perfect legato technique for rock guitar cutting edge

**german schauss s speed guitar learn lightning fas download** - Dec 28 2021

web german schauss s speed guitar learn lightning fas 3 3 and adjust your approach whether you are just starting out been playing a couple years or even an experienced pro you will become a better guitar player after utilizing what is inside this book best of jason mraz songbook alfred music sweep picking speed strategies for guitar

**read free german schauss s speed guitar learn lightning fas** - Oct 06 2022

web german schauss s speed guitar learn lightning fas 137 guitar speed coordination exercises feb 28 2020 learn guitar speed coordination and synchronization from the ground up as you work through achievable steps through specially designed guitar exercises guitar for beginners sep 16 2021

**german schauss s speed guitar learn lightning fas pdf** - Mar 31 2022

web german schauss s speed guitar learn lightning fas 3 3 education in their article dür and keller discuss the topics of quality of life sustainability and global justice based on the goals of education for sustainable development evaluation is an important part of learning it is reviewed by schauss and sprenger regarding climate change

**german schauss speed guitar download faststrings** - Mar 11 2023

web german schauss s speed guitar learn lightning fast alternate picking and coordination book online video audio guitarists

of all styles from metal and rock to jazz and acoustic often feel the need for speed many players become pretty fast and a special few become speed demons

**german schauss s speed guitar learn lightning fast alternate** - Dec 08 2022

web german schauss s speed guitar learn lightning fast alternate picking and coordination book and online video audio learn lightning fast alternate picking and coordination book schauss german 0038081509518 books amazon ca

**german schauss s speed guitar learn lightning fas pdf** - Jun 02 2022

web may 12 2023 as review german schauss s speed guitar learn lightning fas what you once to read jacob jordaens his life and work max rooses 2019 09 this book has been considered by academicians and scholars of great significance and value to literature

**german schauss s speed guitar learn lightning fast alternate** - May 13 2023

web german schauss s speed guitar learn lightning fast alternate picking and coordination book online audio video learn lightning fast alternate picking and coordination book online video audio schauss german amazon co uk books arts photography

**german schauss s speed guitar learn lightning fast alternate** - Feb 10 2023

web german schauss s speed guitar learn lightning fast alternate picking and flawless coordination schauss german isbn 0038081509518 kostenloser versand für alle bücher mit versand und verkauf duch amazon

*german schauss s speed guitar learn lightning fas bob hall* - Apr 12 2023

web following this german schauss s speed guitar learn lightning fas but end happening in harmful downloads rather than enjoying a good ebook as soon as a cup of coffee in the afternoon then again they juggled in imitation of some harmful virus inside their computer german schauss s speed guitar learn lightning fas is user friendly in our digital

*free german schauss s speed guitar learn lightning fas* - Jan 29 2022

web complete learning experience learn what you need to know to become the best player possible straight from bona fide shred virtuosos in this book shred maestro german schauss teaches advanced lessons on the whammy bar speed picking sweeping tapping modal interchange exotic scales and phrasing

*german schauss speed guitar learn lightning fast alternate* - Nov 07 2022

web german schauss speed guitar learn lightning fast alternate picking and coordination book online video audio schauss german amazon es libros saltar al contenido principal es

*schauss german schauss s speed guitar learn lightning fast* - Jan 09 2023

web schauss german schauss s speed guitar learn lightning fast alternate picking and coordination book online audio video 2017 buch fachbuch 978 1 4706 2981 6 bücher schnell und portofrei

[german schauss s speed guitar learn lightning fast alternate](#) - Jun 14 2023

web jul 24 2022 german lightspeeder schauss recognized all over the globe as one of the world s fastest guitarists takes you through the process learn to warm up properly and practice alternate picking using melodic patterns across all

[german schauss s speed guitar learn lightning fast alternate](#) - Feb 27 2022

web picking power alfred german schauss s speed guitar book amp online audio german schauss german schauss s speed guitar book etude 12 german schauss s speed guitar learn lightning fast german schauss s speed guitar learn lightning fast german metal machine scorpions in the 70s by greg prato 147062 browse books by isbn starting

**dragon gets by an acorn book dragon 3 google books** - Jan 28 2023

web from dav pilkey creator of the 1 new york times bestselling dog man and captain underpants series comes dragon the heartwarming hero adored by dav s youngest readers pick a book grow a reader this series is part of scholastic s early reader line acorn aimed at children who are learning to read with easy to read text a short story

*dragon 3 dragon gets by readers house* - Apr 30 2023

web product description dragon is very responsible but sometimes he makes mistakes when he s tired he accidentally reads an egg and fries his morning newspaper when he sweeps his dirt floor he can t seem to sweep away all of the dirt and ends up sweeping a hole into the center of his living room

*dragon gets by by dav pilkey dragon 3 bookroo* - Feb 26 2023

web dragon is very responsible but sometimes he makes mistakes when he s tired he accidentally reads an egg and fries his morning newspaper when he sweeps his dirt floor he can t seem to sweep away all of the dirt and ends up sweeping a

**dragon gets by an acorn book dragon 3 volume 3** - Dec 27 2022

web dragon is very responsible but sometimes he makes mistakes when he s tired he accidentally reads an egg and fries his morning newspaper when he sweeps his dirt floor he can t seem to sweep away all of the dirt and ends up sweeping a

**dragon gets by an acorn book dragon 3 kindle edition** - Jun 01 2023

web dec 26 2019 dragon gets by an acorn book dragon 3 kindle edition by dav pilkey author illustrator format kindle edition 4 9 1 312 ratings part of dragon 5 books see all formats and editions from dav pilkey creator of the 1 new york times bestselling dog man and captain underpants series comes dragon the heartwarming hero

**dragon gets by dav pilkey google books** - Jul 02 2023

web apr 2 2020 dragon gets by dav pilkey scholastic apr 2 2020 chores 64 pages from dav pilkey creator of the 1 new york times bestselling dog man and captain underpants series comes dragon the

*dragon gets by dragons amazon com* - Aug 03 2023

web sep 1 1996 dragon gets by dragons paperback picture book september 1 1996 by dav pilkey author illustrator 4 7 4 7

out of 5 stars 68 ratings

**watch dragon s dogma netflix official site** - Feb 14 2022

web dragon s dogma 2020 maturity rating tv ma 1 season anime resurrected as an arisen ethan sets out to vanquish the dragon that took his heart but with every demon he battles his humanity slips further away starring greg chun erica mendez cristina vee

**dragon gets by dragons by dav pilkey goodreads** - Sep 04 2023

web jan 1 2001 822 ratings86 reviews award winning author illustrator of the captain underpants series dav pilkey s gentle blue dragon from the hit tv series will charm beginning readers with the adventures of a mixed up day genres picture books childrens humor dragons fiction fantasy chapter books more

**dragon gets by dav pilkey** - Oct 05 2023

web dragon gets by meet dragon dragon adopts an apple for a friend dav pilkey s gentle blue dragon will charm beginning readers with the adventures of a mixed up day check out the other books in the dragon series check out these fun activities go back to the series page or just keep exploring

**dragon gets by book review common sense media** - Oct 25 2022

web sep 1 2011 silly loveable dragon story for new readers read common sense media s dragon gets by review age rating and parents guide

[dragon gets by dragon tales series 3 barnes noble](#) - Mar 30 2023

web dec 26 2019 dragon s merry christmas dragon tales series 5 from dav pilkey creator of the 1 new york times bestselling dog man and captain underpants series comes dragon the heartwarming hero adored by dav s youngest readers

**dragon gets by an acorn book dragon 3 kindle edition** - Apr 18 2022

web dragon is very responsible but sometimes he makes mistakes when he s tired he accidentally reads an egg and fries his morning newspaper when he sweeps his dirt floor he can t seem to sweep away all of the dirt and ends up sweeping a

**dragon gets by dav pilkey google books** - Jun 20 2022

web dragon gets by dav pilkey orchard books 1996 juvenile fiction 48 pages 2 reviews award winning author illustrator of the captain underpants series dav pilkey s gentle blue dragon from the hit tv series will charm beginning readers with the adventures of a mixed up day award winning author illustrator of the captain underpants

[dragon gets by an acorn book 9781690384915 amazon com](#) - Jul 22 2022

web dav pilkey when dav pilkey was a kid he was diagnosed with adhd and dyslexia dav was so disruptive in class that his teachers made him sit out in the hallway every day luckily dav loved to draw and make up stories

**dragon gets by an acorn book dragon 3 amazon com** - Aug 23 2022

web dec 26 2019 dragon is very responsible but sometimes he makes mistakes when he s tired he accidentally reads an egg and fries his morning newspaper when he sweeps his dirt floor he can t seem to sweep away all of the dirt and ends up sweeping a hole into the center of his living room

**dragon gets by 3 pilkey dav amazon sg books** - May 20 2022

web hello sign in account lists returns orders cart

**dragon gets by an acorn book dragon 3 apple books** - Nov 25 2022

web from dav pilkey creator of the 1 new york times bestselling dog man and captain underpants series comes dragon the heartwarming hero adored by dav s youngest readers pick a book grow a reader

**dragon gets by overdrive** - Sep 23 2022

web dec 26 2019 from dav pilkey creator of the 1 new york times bestselling dog man and captain underpants series comes dragon the heartwarming hero adored by dav s youngest readers pick a book grow a reader

**dragon gets by by dav pilkey ar read aloud youtube** - Mar 18 2022

web jan 9 2019 315k views 7 years ago dragon gets by pilkey dav ar quiz no 19846 en fictionaccelerated reader quiz

information il lg bl 2 6 ar pts 0 5accelerated reader quiz type informat

*itgs 2013 specimen paper jupyterhub bigelow org* - Aug 02 2022

web read online itgs 2013 specimen paper paper 2 samples itgs sl and hl paper 1 part c and hl paper 3 question 3 markband marks level descriptor a response with no knowledge or

**itgs2013specimenpaper clemenswendtner 2023** - Apr 29 2022

web itgs 2013 specimen paper if you ally infatuation such a referred itgs 2013 specimen paper book that will find the money for you worth get the extremely best seller from us

**itgs 2013 specimen paper pdf pdf foreign** - Oct 04 2022

web nov 22 2022 2013 ib itgs sl paper 1 markscheme 1 12 bookmark file dev av internet society org on november 22 2022 pdf for free 2013 ib itgs sl paper 1

**2013 ib itgs hl paper 1 markscheme cms2 ncee org** - Mar 29 2022

web itgs 2013 specimen paper pdf upload betty r hayda 2 34 downloaded from inequalityforall com on january 8 2023 by betty r hayda learning in the global era

*information technology in a global society itgs ib* - Feb 08 2023

web may 6 2012 paper 3 questions the first parts of the exam are similar to paper 1 short answers using the basic command terms describe define explain etc the first essay

specimen paper information technology in a - May 11 2023

web partially developed in the response there is some use of appropriate itgs terminology 6 8 the impact of the social ethical issues on stakeholders are fully analysed and evaluated

**download ebook itgs 2013 specimen paper pdf file free** - Sep 03 2022

web itgs 2013 specimen paper pdf 2023 tax clone ortax org created date 9 6 2023 7 11 27 pm

**igcsepro org** - Aug 14 2023

web igcsepro org

diploma sample exam papers international - Apr 10 2023

web itgs 2013 specimen paper pdf is available in our digital library an online access to it is set as public so you can get it instantly our book servers saves in multiple countries

itgs 2013 specimen paper uniport edu ng - Feb 25 2022

web enter the realm of itgs 2013 specimen paper pdf a mesmerizing literary masterpiece penned with a distinguished author guiding readers on a profound journey to unravel the

itgs past papers google drive - Jun 12 2023

web itgs past papers google drive name owner last modified file size itgs specimen papers 2012 english pdf itgs specimen papers 2016 english pdf

**information technology in a global society higher level and** - Jul 13 2023

web itgs standard level paper 1 specimen paper itgs standard level paper 1 specimen markscheme itgs higher level and standard level paper 2 article specimen paper

2013 ib itgs sl paper 1 markscheme dev av internetsociety org - Jul 01 2022

web 2013 ib itgs hl paper list of itgs past paper topics this section of the site contains a list of all itgs past papers from 2006 to november 2018 both higher level and standard

**itgs specimen papers hl sl en computer** - Dec 06 2022

web itgs 2013 specimen paper is available in our book collection an online access to it is set as public so you can get it instantly our digital library saves in multiple countries allowing

**itgs 2013 specimen paper pdf pdf inequalityforall** - Dec 26 2021

*21 aralık 2013 İş güvenliği sınavı soruları cevapları sonuçları* - Oct 24 2021

**itgs 2013 specimen paper pdf 2023 tax clone ortax** - May 31 2022

web mar 16 2023 itgs 2013 specimen paper 2 8 downloaded from uniport edu ng on march 16 2023 by guest with fun facts

the style of the pocket eyewitness series is perfect for

[itgs paper 3 case study exam tips itgs news](#) - Nov 05 2022

web itgs 2013 specimen paper 1 itgs 2013 specimen paper right here we have countless books itgs 2013 specimen paper and collections to check out we additionally find the

**itgs 2013 specimen paper pdf free voto uncal edu** - Nov 24 2021

*itgs past papers topic list itgs news* - Jan 07 2023

web some harmful virus inside their computer itgs 2013 specimen paper pdf pdf is open in our digital library an online entrance to it is set as public as a result you can download it

**itgs 2013 specimen paper analytics test makestories io** - Jan 27 2022

web 21 aralık 2013 İş güvenliği sınavı soruları cevapları sonuçları a b c sınıfları 21 12 2013 tarihli Çsgb İş sağlığı ve güvenliği genel müdürlüğü İş yeri hekimliği ve İş

**download free itgs 2013 specimen paper pdf** - Mar 09 2023

web itgs exam paper 2 paper two analysis every exam paper has the same 4 questions the only difference is the article time frame 1 hour 15 minutes question 1 criterion a