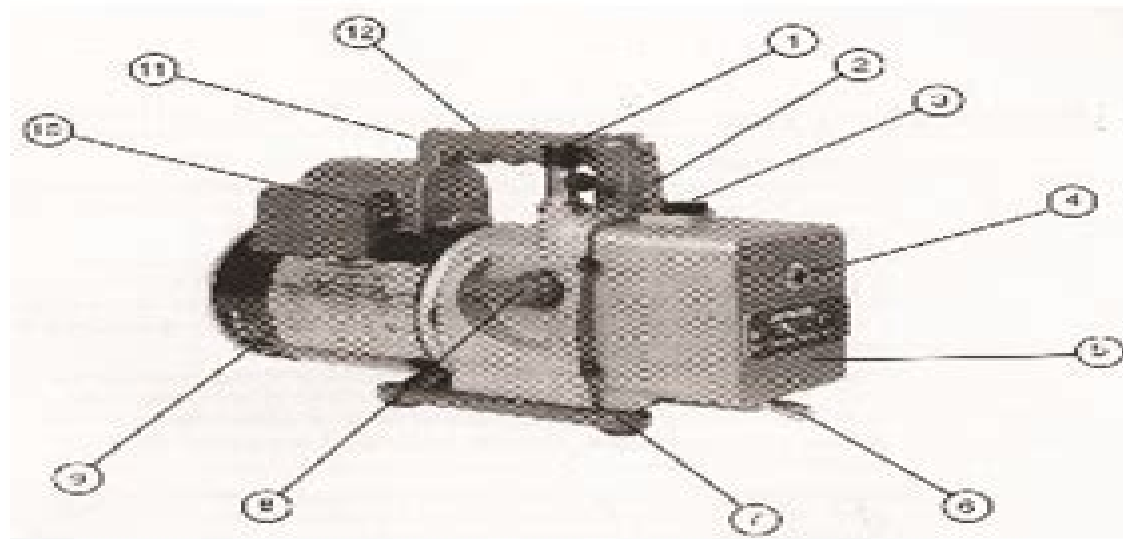


Pump Components



1. Intake Fitting (upper fitting is $\frac{1}{2}$ " Acme, side fitting is $\frac{1}{4}$ " SAE)
2. Gas Ballast Valve (located beside handle base)
3. Oil Fill Port
4. Sight Glass
5. Die-Cast Aluminum Housing
6. Oil Drain
7. Molded Polycarbonate Base
8. Iso-Valve™— Isolates the pump from the system
9. Powerful, High Torque Motor
10. Power Switch
11. Through-The-Handle Exhaust
12. Sure-Grip Handle

For use on A/C-R systems using CFCs, HCFCs and HFCs in conjunction with mineral oil, ester oil, alkylbenzene oil and PAG oil as lubricants. Not for use with ammonia or lithium bromide systems. Not for use with flammable refrigerants.

Robinair Ac 500 Pro Manual Service

Guillaume Favre



Robinair Ac 500 Pro Manual Service:

Reviewing **Robinair Ac 500 Pro Manual Service**: Unlocking the Spellbinding Force of Linguistics

In a fast-paced world fueled by information and interconnectivity, the spellbinding force of linguistics has acquired newfound prominence. Its capacity to evoke emotions, stimulate contemplation, and stimulate metamorphosis is truly astonishing. Within the pages of "**Robinair Ac 500 Pro Manual Service**," an enthralling opus penned by a highly acclaimed wordsmith, readers attempt an immersive expedition to unravel the intricate significance of language and its indelible imprint on our lives. Throughout this assessment, we shall delve into the book's central motifs, appraise its distinctive narrative style, and gauge its overarching influence on the minds of its readers.

https://crm.avenza.com/results/uploaded-files/Download_PDFS/Seeking_A_Welcoming_Shore.pdf

Table of Contents Robinair Ac 500 Pro Manual Service

1. Understanding the eBook Robinair Ac 500 Pro Manual Service
 - The Rise of Digital Reading Robinair Ac 500 Pro Manual Service
 - Advantages of eBooks Over Traditional Books
2. Identifying Robinair Ac 500 Pro Manual Service
 - Exploring Different Genres
 - Considering Fiction vs. Non-Fiction
 - Determining Your Reading Goals
3. Choosing the Right eBook Platform
 - Popular eBook Platforms
 - Features to Look for in an Robinair Ac 500 Pro Manual Service
 - User-Friendly Interface
4. Exploring eBook Recommendations from Robinair Ac 500 Pro Manual Service
 - Personalized Recommendations
 - Robinair Ac 500 Pro Manual Service User Reviews and Ratings
 - Robinair Ac 500 Pro Manual Service and Bestseller Lists

5. Accessing Robinair Ac 500 Pro Manual Service Free and Paid eBooks
 - Robinair Ac 500 Pro Manual Service Public Domain eBooks
 - Robinair Ac 500 Pro Manual Service eBook Subscription Services
 - Robinair Ac 500 Pro Manual Service Budget-Friendly Options
6. Navigating Robinair Ac 500 Pro Manual Service eBook Formats
 - ePub, PDF, MOBI, and More
 - Robinair Ac 500 Pro Manual Service Compatibility with Devices
 - Robinair Ac 500 Pro Manual Service Enhanced eBook Features
7. Enhancing Your Reading Experience
 - Adjustable Fonts and Text Sizes of Robinair Ac 500 Pro Manual Service
 - Highlighting and Note-Taking Robinair Ac 500 Pro Manual Service
 - Interactive Elements Robinair Ac 500 Pro Manual Service
8. Staying Engaged with Robinair Ac 500 Pro Manual Service
 - Joining Online Reading Communities
 - Participating in Virtual Book Clubs
 - Following Authors and Publishers Robinair Ac 500 Pro Manual Service
9. Balancing eBooks and Physical Books Robinair Ac 500 Pro Manual Service
 - Benefits of a Digital Library
 - Creating a Diverse Reading Collection Robinair Ac 500 Pro Manual Service
10. Overcoming Reading Challenges
 - Dealing with Digital Eye Strain
 - Minimizing Distractions
 - Managing Screen Time
11. Cultivating a Reading Routine Robinair Ac 500 Pro Manual Service
 - Setting Reading Goals Robinair Ac 500 Pro Manual Service
 - Carving Out Dedicated Reading Time
12. Sourcing Reliable Information of Robinair Ac 500 Pro Manual Service
 - Fact-Checking eBook Content of Robinair Ac 500 Pro Manual Service
 - Distinguishing Credible Sources
13. Promoting Lifelong Learning

- Utilizing eBooks for Skill Development
 - Exploring Educational eBooks
14. Embracing eBook Trends
- Integration of Multimedia Elements
 - Interactive and Gamified eBooks

Robinair Ac 500 Pro Manual Service Introduction

In this digital age, the convenience of accessing information at our fingertips has become a necessity. Whether its research papers, eBooks, or user manuals, PDF files have become the preferred format for sharing and reading documents. However, the cost associated with purchasing PDF files can sometimes be a barrier for many individuals and organizations. Thankfully, there are numerous websites and platforms that allow users to download free PDF files legally. In this article, we will explore some of the best platforms to download free PDFs. One of the most popular platforms to download free PDF files is Project Gutenberg. This online library offers over 60,000 free eBooks that are in the public domain. From classic literature to historical documents, Project Gutenberg provides a wide range of PDF files that can be downloaded and enjoyed on various devices. The website is user-friendly and allows users to search for specific titles or browse through different categories. Another reliable platform for downloading Robinair Ac 500 Pro Manual Service free PDF files is Open Library. With its vast collection of over 1 million eBooks, Open Library has something for every reader. The website offers a seamless experience by providing options to borrow or download PDF files. Users simply need to create a free account to access this treasure trove of knowledge. Open Library also allows users to contribute by uploading and sharing their own PDF files, making it a collaborative platform for book enthusiasts. For those interested in academic resources, there are websites dedicated to providing free PDFs of research papers and scientific articles. One such website is Academia.edu, which allows researchers and scholars to share their work with a global audience. Users can download PDF files of research papers, theses, and dissertations covering a wide range of subjects. Academia.edu also provides a platform for discussions and networking within the academic community. When it comes to downloading Robinair Ac 500 Pro Manual Service free PDF files of magazines, brochures, and catalogs, Issuu is a popular choice. This digital publishing platform hosts a vast collection of publications from around the world. Users can search for specific titles or explore various categories and genres. Issuu offers a seamless reading experience with its user-friendly interface and allows users to download PDF files for offline reading. Apart from dedicated platforms, search engines also play a crucial role in finding free PDF files. Google, for instance, has an advanced search feature that allows users to filter results by file type. By specifying the file type as "PDF," users can find websites that offer free PDF downloads on a specific topic. While downloading Robinair Ac 500 Pro Manual Service free PDF files is

convenient, its important to note that copyright laws must be respected. Always ensure that the PDF files you download are legally available for free. Many authors and publishers voluntarily provide free PDF versions of their work, but its essential to be cautious and verify the authenticity of the source before downloading Robinair Ac 500 Pro Manual Service. In conclusion, the internet offers numerous platforms and websites that allow users to download free PDF files legally. Whether its classic literature, research papers, or magazines, there is something for everyone. The platforms mentioned in this article, such as Project Gutenberg, Open Library, Academia.edu, and Issuu, provide access to a vast collection of PDF files. However, users should always be cautious and verify the legality of the source before downloading Robinair Ac 500 Pro Manual Service any PDF files. With these platforms, the world of PDF downloads is just a click away.

FAQs About Robinair Ac 500 Pro Manual Service Books

What is a Robinair Ac 500 Pro Manual Service PDF? A PDF (Portable Document Format) is a file format developed by Adobe that preserves the layout and formatting of a document, regardless of the software, hardware, or operating system used to view or print it. **How do I create a Robinair Ac 500 Pro Manual Service PDF?** There are several ways to create a PDF: Use software like Adobe Acrobat, Microsoft Word, or Google Docs, which often have built-in PDF creation tools. Print to PDF: Many applications and operating systems have a "Print to PDF" option that allows you to save a document as a PDF file instead of printing it on paper. Online converters: There are various online tools that can convert different file types to PDF. **How do I edit a Robinair Ac 500 Pro Manual Service PDF?** Editing a PDF can be done with software like Adobe Acrobat, which allows direct editing of text, images, and other elements within the PDF. Some free tools, like PDFescape or Smallpdf, also offer basic editing capabilities. **How do I convert a Robinair Ac 500 Pro Manual Service PDF to another file format?** There are multiple ways to convert a PDF to another format: Use online converters like Smallpdf, Zamzar, or Adobe Acrobats export feature to convert PDFs to formats like Word, Excel, JPEG, etc. Software like Adobe Acrobat, Microsoft Word, or other PDF editors may have options to export or save PDFs in different formats. **How do I password-protect a Robinair Ac 500 Pro Manual Service PDF?** Most PDF editing software allows you to add password protection. In Adobe Acrobat, for instance, you can go to "File" -> "Properties" -> "Security" to set a password to restrict access or editing capabilities. Are there any free alternatives to Adobe Acrobat for working with PDFs? Yes, there are many free alternatives for working with PDFs, such as: LibreOffice: Offers PDF editing features. PDFsam: Allows splitting, merging, and editing PDFs. Foxit Reader: Provides basic PDF viewing and editing capabilities. How do I compress a PDF file? You can use online tools like Smallpdf, ILovePDF, or desktop software like Adobe Acrobat to compress PDF files without significant quality loss. Compression reduces the file size, making it easier to share and download. Can I fill out forms in a PDF file? Yes, most PDF

viewers/editors like Adobe Acrobat, Preview (on Mac), or various online tools allow you to fill out forms in PDF files by selecting text fields and entering information. Are there any restrictions when working with PDFs? Some PDFs might have restrictions set by their creator, such as password protection, editing restrictions, or print restrictions. Breaking these restrictions might require specific software or tools, which may or may not be legal depending on the circumstances and local laws.

Find Robinair Ac 500 Pro Manual Service :

[seeking a welcoming shore](#)

section 6 development modern periodic table worksheet answers

[self respect definition essay](#)

seinfeld episode guide vandalay

section 3 1 the rock cycle answers

security guard exam study guide nevada

[seiko sndc45p1 watches owners manual](#)

self defense in kung fu manual

[section 9 review hold science spectrum answers](#)

[section tour of the periodic table answers](#)

segment 2 hope final exam

[selected stories of nasraddin hodja](#)

section quiz hastworldhistory9thgrade answer

[section 96 bulletin boards i general](#)

[section 4 guided environmental activism answer key](#)

Robinair Ac 500 Pro Manual Service :

Oxford American Handbook of Anesthesiology ... The Handbook uses a unique flexicover design that's durable and practical. Compact, light, and fits in your pocket! Also has quick reference tabs, four-color ... Oxford American Handbook of Anesthesiology Product Description. Anesthesiology is a speciality in which practitioners are managing the sedation and anesthesia of surgical patients. Oxford American Handbook of Anesthesiology Bundle. ... Oxford American Handbook of Anesthesiology Bundle. Includes Handbook and CD-ROM for PDA. McQuillan, P. Our Price: \$74.25. Product availability,

quantity ... Oxford Handbook of Anaesthesia The bestselling Oxford Handbook of Anaesthesia has been completely updated for this new third edition, featuring new material on regional anaesthesia, and a ... The Oxford American Handbook of Anesthesiology by MS Boger · 2008 — The Oxford American Handbook of Anesthesiology is the first American edition of a successful text with origins in the European anesthesia market. The authors' ... Oxford American Handbook of Anesthesiology At over 1100 pages in pocket format, the Oxford Am. ISBN 978-0-19-530120-5 Edition: 01 Binding: Unknown. Oxford American Handbook of Anesthesiology. McQuillan, P. Oxford American Handbook of Anesthesiology by JB Solomon · 2009 — The handbook is an impressively condensed, useful resource that offers high-yield information from a much larger library in a single volume that totes easily ... Oxford American Handbook of Anesthesiology PDA The Oxford American Handbooks of Medicine, now available in PDA format, each offer a short but comprehensive overview of an entire specialty featuring ... Oxford American Handbook of Anesthesiology ... Written by leading American practitioners, the Oxford American Handbooks in Medicine each offer a pocket-sized overview of an entire specialty, ... Oxford American Handbook of Anesthesiology PDA Oxford American Handbook of Anesthesiology PDA is written by Patrick M McQuillan; Keith G Allman; Iain H Wilson and published by Oxford University Press. Popular Cybersecurity Certifications Apr 23, 2021 — The well-regarded Certified Information Security Manager (CISM) credential ... dummies, rely on it to learn the critical skills and relevant ... CISSP For Dummies: 9780470124260 For Dummies" books. It gave excellent overview in some areas while leaving some areas a bit 1" too thin. It helps me to cross reference with the review ... Non-Technical/Non-Vendor Security Certifications ... CISM certification if you're in security management. Like CISA, ISACA manages ... dummies, rely on it to learn the critical skills and relevant information ... Best Books for Complete CISM Preparation Sep 13, 2023 — Top 3 CISM Books for Beginners · 1. Complete Guide to CISM Certification · 2. Information Security Management Metrics · 3. Network Security Policy ... Peter H. Gregory: Books CISM Certified Information Security Manager All-in-One Exam Guide, Second Edition · 4.74.7 out of 5 stars (60) · \$37.07 ; CISSP For Dummies (For Dummies (Computer/ ... CISM Certified Information Security Manager All-in-One ... Coding All-in-One For Dummies - ebook. Coding All-in-One For Dummies. Read a sample; View details; Add to history; You may also like. by Nikhil Abraham. ebook. CISSP For Dummies Get CISSP certified, with this comprehensive study plan! Revised for the updated 2021 exam, CISSP For Dummies is packed with everything you need to succeed ... CISM Certified Information Security Manager Practice ... Gregory. See All · CISM Certified Information Security Manager All-in-One Exam Guide. 2018 · IT Disaster Recovery Planning For Dummies. 2011 · CRISC Certified ... Books by Peter H. Gregory (Author of CISM Certified ... CISM Certified Information Security Manager Practice Exams by Peter H. Gregory CISM ... Firewalls For Dummies, SonicWALL Special Edition by Peter H. Gregory ... 13 Search results for author:"Peter H. Gregory" Get CISSP certified, with this comprehensive study plan! Revised for the updated 2021 exam, CISSP For Dummies is packed with everything you need to succeed on ... The Creative Habit: Learn It and Use It for... by Twyla Tharp The Creative Habit is

about how to set up your life so doing the verb gets easier for you. Likes & Notes: The first half of this book was full of great wisdom. Creative Habit, The: Twyla Tharp, Lauren Fortgang The Creative Habit is about how to set up your life so doing the verb gets easier for you. Likes & Notes: The first half of this book was full of great wisdom. TWYLA THARP THE ^CREATIVE habit Library of Congress Cataloging-in-Publication Data. Tharp, Twyla. The creative habit: learn it and use it for life : a practical guide / Twyla Tharp, with Mark ... The Creative Habit | Book by Twyla Tharp "The Creative Habit emphasizes the work habits that lead to success." -- C. Carr, O: The Oprah Magazine. "Twyla Tharp's amazingly plain-spoken treatise.. The Creative Habit: Learn It and Use It for Life by Twyla Tharp In The Creative Habit, Tharp takes the lessons she has learned in her remarkable thirty-five-year career and shares them with you, whatever creative impulses ... The Creative Habit: Learn It and Use It for Life Tharp leads you through the painful first steps of scratching for ideas, finding the spine of your work, and getting out of ruts and into productive grooves. Learn It and Use It for Life by Twyla Tharp (Paperback) One of the world's leading creative artists, choreographers, and creator of the smash-hit Broadway show, Movin' Out, shares her secrets for developing and ... Book Review: What I Learned From "The Creative Habit" Apr 28, 2021 — In the book, The Creative Habit, author Twyla Tharp (a choreographer and dancer) offers insight into her creative practice and the rituals ... The Creative Habit: Learn It and Use It for Life The Creative Habit provides you with thirty-two practical exercises based on the lessons Twyla Tharp has learned in her remarkable thirty-five-year career. 243 ...