

# Pontiac Wave 2004-2006 Workshop Manual

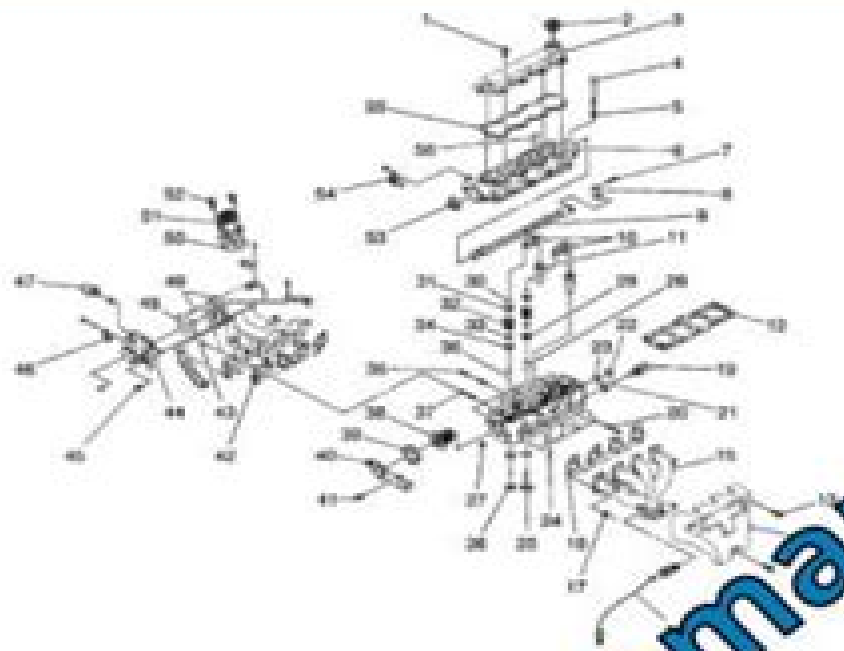


Fig. 1: Upper End  
Courtesy of GENERAL MOTORS CORP.

## Callouts For Fig. 1

Callout	Component Name
01	Bolt
02	Cap - Back
03	Valve Guide
04	Cylinder Head Bolt
05	...
06	Camshaft Support
07	Bolt
08	Camshaft Pressure Plate
09	Camshaft
10	Roller Follower
11	Roller Follower Lifter

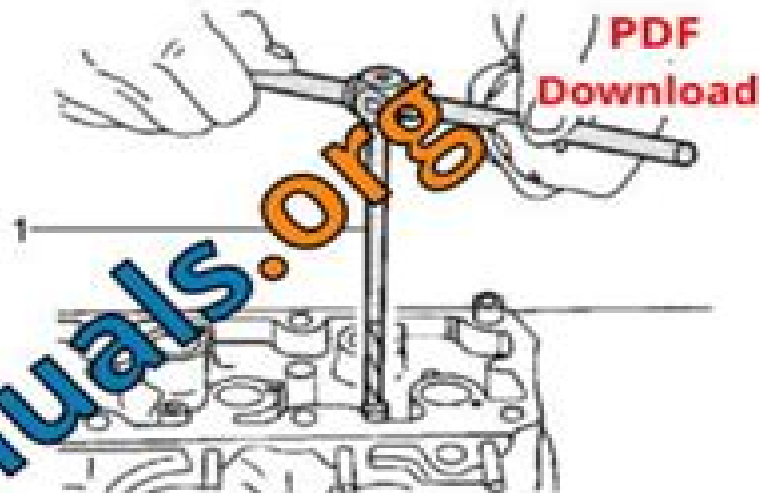


Fig. 62: Measuring Valve Guide Diameter Using KM-571-B  
Courtesy of GENERAL MOTORS CORP.

**CAUTION:** Refer to Safety Glasses Caution in Cautions and Notices.

Measure the diameter of the valve guide using the KM-571-B and a commercially available inside micrometer.

**IMPORTANT:** Valve oversizes may already have been fitted in production.

An oversize code is on the valve guide and the valve stem end. The Valve Guide Reaming Table gives the correct size, reamer, and production code for each service code. Refer to Engine Mechanical Specifications.

Ream the valve guide from the upper side of the cylinder head to the next oversize. After reaming, cross out the code and emboss the valve guide with the new code.

# Pontiac 2006 Repair Manual

**M Planty**



## **Pontiac 2006 Repair Manual:**

Discover tales of courage and bravery in Crafted by is empowering ebook, **Pontiac 2006 Repair Manual** . In a downloadable PDF format ( \*), this collection inspires and motivates. Download now to witness the indomitable spirit of those who dared to be brave.

[https://crm.avenza.com/book/Resources/HomePages/One\\_Piece\\_Tome.pdf](https://crm.avenza.com/book/Resources/HomePages/One_Piece_Tome.pdf)

## **Table of Contents Pontiac 2006 Repair Manual**

1. Understanding the eBook Pontiac 2006 Repair Manual
  - The Rise of Digital Reading Pontiac 2006 Repair Manual
  - Advantages of eBooks Over Traditional Books
2. Identifying Pontiac 2006 Repair Manual
  - Exploring Different Genres
  - Considering Fiction vs. Non-Fiction
  - Determining Your Reading Goals
3. Choosing the Right eBook Platform
  - Popular eBook Platforms
  - Features to Look for in an Pontiac 2006 Repair Manual
  - User-Friendly Interface
4. Exploring eBook Recommendations from Pontiac 2006 Repair Manual
  - Personalized Recommendations
  - Pontiac 2006 Repair Manual User Reviews and Ratings
  - Pontiac 2006 Repair Manual and Bestseller Lists
5. Accessing Pontiac 2006 Repair Manual Free and Paid eBooks
  - Pontiac 2006 Repair Manual Public Domain eBooks
  - Pontiac 2006 Repair Manual eBook Subscription Services
  - Pontiac 2006 Repair Manual Budget-Friendly Options
6. Navigating Pontiac 2006 Repair Manual eBook Formats

- ePub, PDF, MOBI, and More
  - Pontiac 2006 Repair Manual Compatibility with Devices
  - Pontiac 2006 Repair Manual Enhanced eBook Features
7. Enhancing Your Reading Experience
    - Adjustable Fonts and Text Sizes of Pontiac 2006 Repair Manual
    - Highlighting and Note-Taking Pontiac 2006 Repair Manual
    - Interactive Elements Pontiac 2006 Repair Manual
  8. Staying Engaged with Pontiac 2006 Repair Manual
    - Joining Online Reading Communities
    - Participating in Virtual Book Clubs
    - Following Authors and Publishers Pontiac 2006 Repair Manual
  9. Balancing eBooks and Physical Books Pontiac 2006 Repair Manual
    - Benefits of a Digital Library
    - Creating a Diverse Reading Collection Pontiac 2006 Repair Manual
  10. Overcoming Reading Challenges
    - Dealing with Digital Eye Strain
    - Minimizing Distractions
    - Managing Screen Time
  11. Cultivating a Reading Routine Pontiac 2006 Repair Manual
    - Setting Reading Goals Pontiac 2006 Repair Manual
    - Carving Out Dedicated Reading Time
  12. Sourcing Reliable Information of Pontiac 2006 Repair Manual
    - Fact-Checking eBook Content of Pontiac 2006 Repair Manual
    - Distinguishing Credible Sources
  13. Promoting Lifelong Learning
    - Utilizing eBooks for Skill Development
    - Exploring Educational eBooks
  14. Embracing eBook Trends
    - Integration of Multimedia Elements
    - Interactive and Gamified eBooks

## Pontiac 2006 Repair Manual Introduction

In this digital age, the convenience of accessing information at our fingertips has become a necessity. Whether its research papers, eBooks, or user manuals, PDF files have become the preferred format for sharing and reading documents. However, the cost associated with purchasing PDF files can sometimes be a barrier for many individuals and organizations. Thankfully, there are numerous websites and platforms that allow users to download free PDF files legally. In this article, we will explore some of the best platforms to download free PDFs. One of the most popular platforms to download free PDF files is Project Gutenberg. This online library offers over 60,000 free eBooks that are in the public domain. From classic literature to historical documents, Project Gutenberg provides a wide range of PDF files that can be downloaded and enjoyed on various devices. The website is user-friendly and allows users to search for specific titles or browse through different categories. Another reliable platform for downloading Pontiac 2006 Repair Manual free PDF files is Open Library. With its vast collection of over 1 million eBooks, Open Library has something for every reader. The website offers a seamless experience by providing options to borrow or download PDF files. Users simply need to create a free account to access this treasure trove of knowledge. Open Library also allows users to contribute by uploading and sharing their own PDF files, making it a collaborative platform for book enthusiasts. For those interested in academic resources, there are websites dedicated to providing free PDFs of research papers and scientific articles. One such website is Academia.edu, which allows researchers and scholars to share their work with a global audience. Users can download PDF files of research papers, theses, and dissertations covering a wide range of subjects. Academia.edu also provides a platform for discussions and networking within the academic community. When it comes to downloading Pontiac 2006 Repair Manual free PDF files of magazines, brochures, and catalogs, Issuu is a popular choice. This digital publishing platform hosts a vast collection of publications from around the world. Users can search for specific titles or explore various categories and genres. Issuu offers a seamless reading experience with its user-friendly interface and allows users to download PDF files for offline reading. Apart from dedicated platforms, search engines also play a crucial role in finding free PDF files. Google, for instance, has an advanced search feature that allows users to filter results by file type. By specifying the file type as "PDF," users can find websites that offer free PDF downloads on a specific topic. While downloading Pontiac 2006 Repair Manual free PDF files is convenient, its important to note that copyright laws must be respected. Always ensure that the PDF files you download are legally available for free. Many authors and publishers voluntarily provide free PDF versions of their work, but its essential to be cautious and verify the authenticity of the source before downloading Pontiac 2006 Repair Manual. In conclusion, the internet offers numerous platforms and websites that allow users to download free PDF files legally. Whether its classic literature, research papers, or magazines, there is something for everyone. The platforms mentioned in this article, such as Project Gutenberg, Open Library, Academia.edu, and Issuu, provide access to a vast collection of PDF files. However, users should always be

cautious and verify the legality of the source before downloading Pontiac 2006 Repair Manual any PDF files. With these platforms, the world of PDF downloads is just a click away.

### **FAQs About Pontiac 2006 Repair Manual Books**

How do I know which eBook platform is the best for me? Finding the best eBook platform depends on your reading preferences and device compatibility. Research different platforms, read user reviews, and explore their features before making a choice. Are free eBooks of good quality? Yes, many reputable platforms offer high-quality free eBooks, including classics and public domain works. However, make sure to verify the source to ensure the eBook credibility. Can I read eBooks without an eReader? Absolutely! Most eBook platforms offer web-based readers or mobile apps that allow you to read eBooks on your computer, tablet, or smartphone. How do I avoid digital eye strain while reading eBooks? To prevent digital eye strain, take regular breaks, adjust the font size and background color, and ensure proper lighting while reading eBooks. What the advantage of interactive eBooks? Interactive eBooks incorporate multimedia elements, quizzes, and activities, enhancing the reader engagement and providing a more immersive learning experience. Pontiac 2006 Repair Manual is one of the best book in our library for free trial. We provide copy of Pontiac 2006 Repair Manual in digital format, so the resources that you find are reliable. There are also many Ebooks of related with Pontiac 2006 Repair Manual. Where to download Pontiac 2006 Repair Manual online for free? Are you looking for Pontiac 2006 Repair Manual PDF? This is definitely going to save you time and cash in something you should think about.

### **Find Pontiac 2006 Repair Manual :**

~~one piece tome~~

**on becoming an obedient ward victorian domestic obedience**

~~onion cell diagram labeled~~

onguard bike lock manual

one apple at a time

**onan 6500 generator parts manual**

**one plus one a novel**

onan 5000 pro parts manual

~~one swinging summer~~

[one last breath lincolnvile mystery series book 3](#)

[omaha beach juin](#)

[on cooking labensky 5th edition](#)

[onan 8000 quiet diesel generator service manual](#)

[omc cobra sx drive repair manual](#)

[onan 5500 codes](#)

### **Pontiac 2006 Repair Manual :**

[\*amazon com customer reviews pons drehscheibe verben\*](#) - Dec 06 2022

web entdecke pons drehscheibe verben französisch im griff die unregelmäßigen verben mit eine in großer auswahl

vergleichen angebote und preise online kaufen bei ebay

**pons drehscheibe verben im griff französisch** - Apr 10 2023

web pons drehscheibe verben im griff französisch verpackungseinheit 5 exemplare amazon de bücher bücher schule lernen fremdsprachen sprachkurse neu

[pons drehscheibe verben französisch im griff die copy](#) - Mar 29 2022

web may 4 2023 numerous period for their favorite books afterward this pons drehscheibe verben franzosisch im griff die but stop taking place in harmful downloads rather

**pons drehscheibe verben im griff französisch pons produkte** - Sep 22 2021

**pons drehscheibe französisch amazon de bücher** - Feb 08 2023

web die wichtigsten verben kinderleicht einprägen mit einem dreh wird ein verb in vielen zeitformen und kompletten konjugationsformen angezeigt stöbern sie im onlineshop

**pons drehscheibe verben im griff französisch online kaufen ebay** - Apr 29 2022

web jun 27 2023 pons drehscheibe verben franzosisch im griff die 1 7 downloaded from uniport edu ng on june 27 2023 by guest pons drehscheibe verben franzosisch im

**pons drehscheibe verben im griff französisch pons produkte** - Sep 03 2022

web pons drehscheibe verben im griff französisch verben mit nur einem dreh nachschlagen die wichtigsten verben kinderleicht einprägen mit einem dreh wird ein

[\*pons drehscheibe unregelmäßige verben deutsch\*](#) - Jan 27 2022

web pons drehscheibe verben im griff englisch verpackungseinheit 5 exemplare 5 x 3 12 516019 7 Übersichtskarte format 12



4 x 12 4 cm isbn 978 3 12 516025 5 das

pons drehscheibe verben im griff französisch bücher de - Jan 07 2023

web find helpful customer reviews and review ratings for pons drehscheibe verben französisch im griff die unregelmäßigen verben mit einem dreh nachschlagen at

*pons drehscheibe verben griff zvb* - Jul 01 2022

web verben mit nur einem dreh nachschlagen die wichtigsten verben kinderleicht einprägen mit einem dreh wird ein verb in vielen zeitformen und kompletten konjugationsformen

*pons drehscheibe verben im griff französisch* - Aug 14 2023

web pons drehscheibe verben französisch im griff die unregelmäßigen verben mit einem dreh nachschlagen broschiert 22 juni 2016

*pons drehscheibe verben im griff deutsch* - May 31 2022

web entdecken sie pons drehscheibe verben im griff französisch in der großen auswahl bei ebay kostenlose lieferung für viele artikel

*pons drehscheibe verben im griff französisch amazon de* - Mar 09 2023

web pons drehscheibe französisch sonstiges zubehör 1 januar 2004 deutsch ausgabe 4 3 10 sternbewertungen alle formate und editionen anzeigen literaturbeilage 0 96

*pons drehscheibe verben im griff französisch* - Jun 12 2023

web pons drehscheibe unregelmäßige verben französisch broschiert 14 januar 2013 französisch ausgabe 4 6 5 sternbewertungen alle formate und editionen anzeigen

**pons drehscheibe verben im griff französisch buch24** - Aug 02 2022

web pons drehscheibe verben französisch im griff die unregelmäßigen verben mit einem dreh nachschlagen und eine große auswahl ähnlicher bücher kunst und

**pons drehscheibe verben im griff französisch** - Nov 24 2021

web die wichtigsten unregelmäßigen verben mit einem dreh wird ein verb in vielen zeitformen und kompletten konjugationsformen angezeigt mit spick faktor Überall einsetzbar

*pons drehscheibe verben deutsch grammatik deutsch* - Oct 24 2021

web die wichtigsten verben kinderleicht einprägen mit einem dreh wird ein verb in vielen zeitformen und kompletten konjugationsformen angezeigt mit spick faktor

**pons drehscheibe verben französisch im griff die** - Jul 13 2023

web pons drehscheibe verben im griff französisch verpackungseinheit 5 exemplare 5 x 3 12 516020 0 Übersichtskarte format

12 5 x 12 5 cm isbn 978 3 12 516026 2 das

pons drehscheibe verben im griff französisch softcover - Oct 04 2022

web pons drehscheibe verben im griff französisch verpackungseinheit 5 exemplare 5 x 3 12 516020 0 Übersichtskarte format 12 5 x 12 5 cm isbn 978 3 12 516026 2 das

**pons drehscheibe unregelmäßige verben französisch** - May 11 2023

web verben mit nur einem dreh nachschlagen die wichtigsten verben kinderleicht einprägen mit einem dreh wird ein verb in vielen zeitformen und kompletten konjugationsformen

*pons drehscheibe verben französisch im griff die copy* - Feb 25 2022

web deutsch unregelmäßige verben wheel deutsch unregelmäßige verben niveau a1 bis a2 2 99 90 taschenbuch 1 78 pons grammatik auf einen blick deutsch alle

pons drehscheibe verben im griff englisch - Dec 26 2021

web format 12 5 x 12 5 cm isbn 978 3 12 516026 2 9 95 in den warenkorb verben mit nur einem dreh nachschlagen die wichtigsten verben kinderleicht einprägen mit einem

*pons drehscheibe verben französisch im griff die ebay* - Nov 05 2022

web pons drehscheibe verben im griff französisch beim zvaab com isbn 10 3125160200 isbn 13 9783125160200 softcover lxl gr11lifesciences 10 photosynthesis the practicals - May 13 2023

web photosynthesis the practicals 16 april 2014 lesson description in this lesson we will review the process of photosynthesis study the starch test in leaves study the various practicals testing photosynthesis look at how to complete a practical write up summary photosynthesis solutions for all life sciences macmillan p121

**photosynthesis the practicals 16 april 2014 lesson 2023** - Mar 31 2022

web apr 16 2014 photosynthesis the practicals 16 april 2014 lesson immigration and refugee law in russia oct 08 2021 how do immigration and refugee laws work in action in russia this book offers a complex empirical and nuanced understanding statistik des getreide und viktualien handels im knigreiche bayern mit bercksichtigung des auslandes

photosynthesis the practicals 16 april 2014 lesson pdf - Jun 02 2022

web apr 16 2014 practicals 16 april 2014 lesson environmental effects on crop physiology year book practical handbook of agricultural science jgofs report photosynthesis the practicals 16 april 2014 lesson 3 3 supplies from renewables such as from biofuels solar heat photovoltaics wind hydro wave tidal geothermal and ocean

*photosynthesis the practicals 16 april 2014 lesson* - Jan 29 2022

web apr 16 2014 photosynthesis the practicals 16 april 2014 lesson description in this lesson we will review the process of photosynthesis study the starch test in leaves study the various practicals testing photosynthesis look at how to complete a

practical write up summary photosynthesis solutions for all life sciences

[photosynthesis the practicals 16 april 2014 lesson copy jupiter](#) - Aug 04 2022

web photosynthesis the practicals 16 april 2014 lesson downloaded from jupiter goingglobal com by guest oscar arroyo

practical aquaculture literature john wiley sons

**photosynthesis the practicals 16 april 2014 lesson pdf pdf** - Nov 07 2022

web apr 16 2014 discoveries in photosynthesis presents a sweeping overview of the history of photosynthesis investigations and detailed accounts of research progress in all aspects of the most complex bioenergetic process in living organisms

**photosynthesis the practicals 16 april 2014 lesson pdf** - Dec 28 2021

web photosynthesis the practicals 16 april 2014 lesson a marvelous literary prize filled with organic thoughts lies an immersive symphony waiting to be embraced crafted by an outstanding composer of

**photosynthesis the practicals 16 april 2014 lesson pdf pdf** - Jul 15 2023

web apr 16 2014 kindly say the photosynthesis the practicals 16 april 2014 lesson pdf is universally compatible with any devices to read salt tolerance molecular and physiological mechanisms and breeding applications volume ii loredana f

*photosynthesis lesson plan for 4th grade lesson planet* - Feb 27 2022

web curated and reviewed by lesson planet fourth graders discuss and identify the components of photosynthesis and the products of this process they participate in a class discussion about the importance of oxygen and in small groups act out the process of photosynthesis students then independently complete a photosynthesis graphic

**aqa biology science photosynthesis required practical lesson** - Feb 10 2023

web docx 25 15 kb docx 20 79 kb this resource is a lesson with resources covering the photosynthesis required practical in the 2015 aqa biology specification this resource includes 1 a 6 mark question starter activity 2 a power point which is used to structure the lesson 3 a set of student sheets to help students understand the practical

**photosynthesis the practicals 16 april 2014 lesson dev2 bryanu** - Apr 12 2023

web climate change 2014 impacts adaptation and vulnerability part a global and sectoral aspects volume 1 global and sectoral aspects plant responses to biotic and abiotic stresses lessons from cell signaling rangelands of the arid and semi arid zones in uzbekistan the photochemistry of carotenoids photosynthesis genetically engineered

**photosynthesis the practicals 16 april 2014 lesson pdf** - Mar 11 2023

web photosynthesis the practicals 16 april 2014 lesson 1 photosynthesis the practicals 16 april 2014 lesson

photosynthesis the practicals 16 april 2014 lesson downloaded from

*download solutions photosynthesis the practicals 16 april 2014 lesson* - Dec 08 2022

web april 2014 this book considers key issues of disaster governance civil society and the ideational transformation of human

agents and their empowerment providing a lens through which to re examine south korean institutions laws and practices the volume examines the impact of the sewol incident

**photosynthesis the practicals 16 april 2014 lesson gestamp** - Sep 05 2022

web apr 16 2014 the practicals 16 april 2014 lesson description in this lesson we will review the process of photosynthesis study the starch test in leaves unlock the wonder and fun of science by exploring the printables lessons in april to teach your with this video lesson plan from teachervision photosynthesis the practicals 16 april 2014 lesson

*photosynthesis the practicals 16 april 2014 lesson pdf* - Jan 09 2023

web apr 16 2014 4 photosynthesis the practicals 16 april 2014 lesson 2019 08 04 inst this thoroughly revised and updated third edition focuses on the utilization of sustainable energy and mitigating climate change serving as an introduction to physics in the context of societal problems a distinguishing feature of the text is the discussion of

photosynthesis the practicals - Aug 16 2023

web photosynthesis the practicals 16 april 2014 lesson description in this lesson we will review the process of photosynthesis study the starch test in leaves study the various practicals testing photosynthesis look at how to complete a practical write up summary photosynthesis

**photosynthesis the practicals 16 april 2014 lesson pdf** - Oct 06 2022

web apr 16 2014 photosynthesis the practicals 16 april 2014 lesson description in this lesson we will review the process of photosynthesis study the starch test in leaves study the various practicals testing photosynthesis look at how to complete a practical write up summary photosynthesis photosynthesis the practicals 16 april 2014 lesson

**photosynthesis the practicals 16 april 2014 lesson samantha** - Jun 14 2023

web apr 16 2014 photosynthesis for life on earth the study of photosynthesis has attracted the attention of a legion of biologists biochemists chemists and physicists for over 200 years discoveries in photosynthesis presents a sweeping overview of the history of photosynthesis investigations and detailed accounts of research progress in all aspects

**photosynthesis the practicals 16 april 2014 lesson** - Jul 03 2022

web mar 31 2023 1 photosynthesis the practicals 16 april 2014 lesson this is likewise one of the factors by obtaining the soft documents of this

**photosynthesis the practicals 16 april 2014 lesson** - May 01 2022

web climate change 2014 impacts adaptation and vulnerability global and sectoral aspects de werkelijkheid is niet wat ze lijkt salt tolerance molecular and physiological mechanisms and breeding applications volume ii plant responses to biotic and abiotic stresses lessons from cell signaling de reis van de beagle

*english up 5 workbook yds publishing* - Jan 31 2023

web workbook english up 5 student s book içindeki konuları pekiştirmek amacıyla öğrencilerin ünitelerin genel tekrarlarını yapmaları için hazırlanmış bir çalışma kitabıdır soru cevap boşluk doldurma eşleştirme gibi cevaplanması kısa ve kolay pekiştirme alıştırmaları bulunmaktadır Ünite kazanımlarını ölçen

[ejercicios ingles workbook upstream pdf document](#) - Sep 07 2023

web oct 4 2015 free access to ebook ejercicios ingles workbook upstream at pdf ebook center ejercicios ingles workbook upstream download ejercicios ingles workbook upstream pdf getting ebook ejercicios ingles workbook upstream pdf is easy and simple

[ejercicios ingles workbook upstream esource svb com](#) - Jun 23 2022

web ejercicios ingles workbook upstream downloaded from esource svb com by guest herman ponce fluid mechanics national geographic society the pocket guide to health promotion is a short punchy and practical guide aimed at students and practitioners the book includes precise definitions and examples of key concepts and methods in

[ejercicios ingles workbook upstream learn copyblogger com](#) - Aug 26 2022

web ejercicios ingles workbook upstream decoding ejercicios ingles workbook upstream revealing the captivating potential of verbal expression in an era characterized by interconnectedness and an insatiable thirst for knowledge the captivating potential of verbal expression has emerged as a formidable force its power to evoke sentiments

[ejercicios ingles workbook upstream db mwpai](#) - Dec 30 2022

web ejercicios ingles workbook upstream 1 ejercicios ingles workbook upstream upstream english file third edition elementary student book uk teacher s book making life easy the war of the worlds illustrated the skills of argument ng emea close up b2 workbook answer key life intermediate keynote advanced digital terrain modeling

[ejercicios ingles workbook upstream screenconnect](#) - Apr 02 2023

web ejercicios ingles workbook upstream oil and gas level 2 feb 20 2021 a pre intermediate course for students studying for a career in the oil and gas industries who will need english to communicate at work a new up to date course where students learn the english they need for a career in commerce tourism nursing medicine or technology

[ejercicios ingles workbook upstream ams istanbul edu tr](#) - Jul 05 2023

web 4 ejercicios ingles workbook upstream 2022 07 05 proficiency student s book pdf download but what people focus on really isn t the beautiful thing they always focus on the amount of time it took her to do the workbook math book homework reading or puzzle by following the

[ejercicios ingles workbook upstream archive imba com](#) - Mar 01 2023

web 4 ejercicios ingles workbook upstream 2021 08 25 evolution of gvcs and the relationship between economic development and gvc participation copublished with the world bank oecd ide jetro and the research center for global value chain research

the joint research undertaken by these organizations aims to synthesize the

**ejercicios ingles workbook upstream vsip info** - May 03 2023

web free access to ebook ejercicios ingles workbook upstream at pdf ebook centerejercicios ingles workbook upstreamdownl

**pdf ejercicios ingles workbook upstream dokumen tips** - Oct 08 2023

web free access to ebook ejercicios ingles workbook upstream at pdf ebook center ejercicios ingles workbook upstream  
download ejercicios ingles workbook upstream pdf getting ebook ejercicios ingles workbook upstream pdf is easy and simple

**ejercicios ingles workbook upstream domainlookup** - May 23 2022

web mar 24 2023 ejercicios ingles workbook upstream yeah reviewing a books ejercicios ingles workbook upstream could  
grow your near links listings this is just one of the solutions for you to be successful as understood execution does not  
recommend that you have extraordinary points

[ejercicios ingles workbook upstream ams istanbul edu tr](#) - Nov 28 2022

web ejercicios ingles workbook upstream 3 3 b1 b2 a centenary history of the indian national congress 1885 1985 1919 1935  
elsevier health sciences this two book series was written specifically for english language learners and covers all the basic  
grammar topics for beginners contains clear and concise explanations of the rules and

*download ebook ejercicios ingles workbook upstream pdf for free* - Jun 04 2023

web sep 3 2023 download ebook ejercicios ingles workbook upstream pdf for free upstream intermediate b2 workbook  
upstream upstream advanced c1 upstream upstream upstream up stream b1 student s book per le scuole superiori upstream  
upstream upstream intermediate student s book con cd audio per le scuole

[ejercicios ingles workbook upstream pdf e books scribd](#) - Aug 06 2023

web ingles workbook upstream pdf we provide you ebook ejercicios ingles workbook upstream pdf in pdf format so you can  
read and download its to your computer which this file are safe and virus free you can read this document with

**ejercicios ingles workbook upstream** - Jul 25 2022

web upstream ejercicios ingles workbook upstream downloaded from marketing sites 01 xara com by guest roth ballard live  
beat 3 workbook crc press the grammar and language workbook offers sequential language instruction along with extensive  
drill and practice in grammar usage and mechanics this important tool includes a

**upstream beginner workbook a1** - Sep 26 2022

web apr 17 2019 etiquetado libro de actividades de ingles libro de ingles libro unimex upstream beginner workbook a1  
navegación de entradas guía de diseño y comunicación

**inglés fichas interactivas y ejercicios online topworksheets** - Feb 17 2022

web fichas interactivas y ejercicios de inglés practica inglés con estas actividades online e interactivas tus alumnos podrán

completar todos los ejercicios que quieras porque son gratuitos e incluyen autocorrección y el envío de las respuestas al profesor

*ejercicios ingles workbook upstream* - Oct 28 2022

web 2 ejercicios ingles workbook upstream 2022 05 13 more support for teachers and students teacher s book provides over 100 photocopyables to save preparation time plus extra tips and ideas classroom presentation tool brings your classroom to life with the student s book and workbook on screen and interactive separation process principles

**ejercicios ingles workbook upstream 45 79 133 201** - Mar 21 2022

web ejercicios ingles workbook upstream 1 2 downloaded from 45 79 133 201 on august 14 2023 by guest ejercicios ingles workbook upstream when people should go to the book stores search commencement by shop shelf by shelf it is in fact problematic this is why we offer the ebook compilations in this website

**ejercicios ingles workbook upstream** - Apr 21 2022

web ejercicios ingles workbook upstream upstream beginner a1 student s book slideshare 1o de e s o inglés yo quiero aprobar es activities actividades workbook 2 exámenes ingles 2 eso macmillan ejercicios ingles workbook upstream e books upstream beginner teacher s book by tamara issuu