

HOW TO USE THIS MANUAL

MAINTENANCE OPERATION EXPLANATION

This manual describes important items for installation, removal, assembly, inspection, repair and failure diagnosis.

Caution:

A general description of a visual inspection and cleaning of disassembled parts has generally been omitted. However, when reusing the parts, make sure to perform visual inspection and cleaning as necessary.

CONFIGURATION COMPONENTS, OPERATION CONTENTS & PROCEDURES

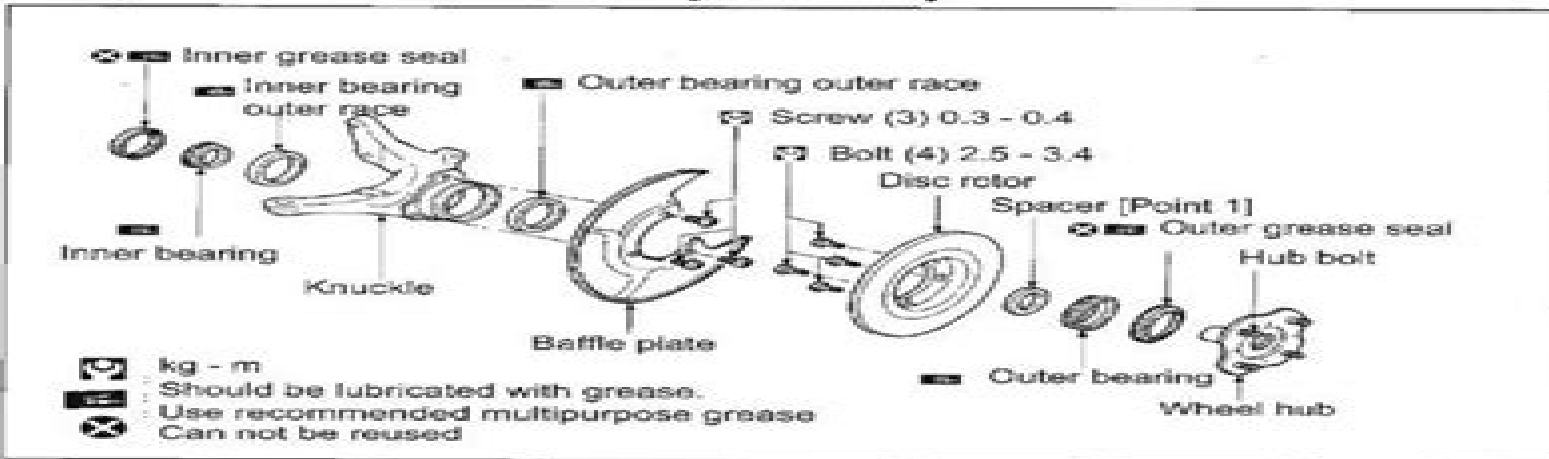
The configuration components, operation contents and procedures are shown after the title of each operation. Preparation standards and important operation points such as parts which can not be used again, tightening torque and lubrication locations are also indicated.

Configuration components & Operation contents

The operations for installation, assembly and disassembly are indicated by the part name. This description is used when the ideal procedure can not be determined or there are many types of components.

[Point] is used to indicate the operation procedures which are necessary.

Example: Front Axle disassembly & assembly



Unit definition

The unit of measure used in this manual for tightening torque is described in "SI measure (International unit)" and the units within { } is in meter unit.

Example: Tightening torque: 59 - 78 N·m {6.0 - 8.0 kg·m}

SI measure

Meter measure



Sd22 Service Manual

John H. Weise



Sd22 Service Manual:

Service Manual Model SD22 and SD33 Diesel Engine Nissan Jidōsha Kabushiki Kaisha,1978 Crown's Diesel Repair Manual Morton J. Schultz,1984 Practical manual on diesel engines covers general troubleshooting repair maintenance

Chilton's Truck and Van Repair Manual, 1979-86 ,1986 Combines photographs line drawings and exploded views with detailed overhaul procedures for specific units and components *Nissan Datsun Service Manual Model SD22 and SD33 Diesel Engine* ,1980 *Chilton's Diesel Engine Service Manual, 1984* John H. Weise,1984 **Chilton's Truck and Van Repair Manual, 1977-1984** ,1984 **Chilton's Import Emission Diagnosis and Service Manual with Vacuum Circuits, [cars and Most Light Trucks].** ,1982 *Motor Imported Car Repair Manual* ,1987 *Nissan Model SD Series Diesel Engine SD22, SD23, SD25 and SD33* Nissan Motor Co., Ltd,1983 *Chilton's Truck and Van Repair Manual* ,1978 Presents removal and installation procedures and on truck adjustments for repairing older model trucks or vans

Embark on a transformative journey with Explore the World with is captivating work, Grab Your Copy of **Sd22 Service Manual** . This enlightening ebook, available for download in a convenient PDF format , invites you to explore a world of boundless knowledge. Unleash your intellectual curiosity and discover the power of words as you dive into this riveting creation. Download now and elevate your reading experience to new heights .

https://crm.avenza.com/results/browse/fetch.php/Nissan_Pickup_1998_2006_Service_Repair_Manual.pdf

Table of Contents Sd22 Service Manual

1. Understanding the eBook Sd22 Service Manual
 - The Rise of Digital Reading Sd22 Service Manual
 - Advantages of eBooks Over Traditional Books
2. Identifying Sd22 Service Manual
 - Exploring Different Genres
 - Considering Fiction vs. Non-Fiction
 - Determining Your Reading Goals
3. Choosing the Right eBook Platform
 - Popular eBook Platforms
 - Features to Look for in an Sd22 Service Manual
 - User-Friendly Interface
4. Exploring eBook Recommendations from Sd22 Service Manual
 - Personalized Recommendations
 - Sd22 Service Manual User Reviews and Ratings
 - Sd22 Service Manual and Bestseller Lists
5. Accessing Sd22 Service Manual Free and Paid eBooks
 - Sd22 Service Manual Public Domain eBooks
 - Sd22 Service Manual eBook Subscription Services
 - Sd22 Service Manual Budget-Friendly Options

6. Navigating Sd22 Service Manual eBook Formats
 - ePub, PDF, MOBI, and More
 - Sd22 Service Manual Compatibility with Devices
 - Sd22 Service Manual Enhanced eBook Features
7. Enhancing Your Reading Experience
 - Adjustable Fonts and Text Sizes of Sd22 Service Manual
 - Highlighting and Note-Taking Sd22 Service Manual
 - Interactive Elements Sd22 Service Manual
8. Staying Engaged with Sd22 Service Manual
 - Joining Online Reading Communities
 - Participating in Virtual Book Clubs
 - Following Authors and Publishers Sd22 Service Manual
9. Balancing eBooks and Physical Books Sd22 Service Manual
 - Benefits of a Digital Library
 - Creating a Diverse Reading Collection Sd22 Service Manual
10. Overcoming Reading Challenges
 - Dealing with Digital Eye Strain
 - Minimizing Distractions
 - Managing Screen Time
11. Cultivating a Reading Routine Sd22 Service Manual
 - Setting Reading Goals Sd22 Service Manual
 - Carving Out Dedicated Reading Time
12. Sourcing Reliable Information of Sd22 Service Manual
 - Fact-Checking eBook Content of Sd22 Service Manual
 - Distinguishing Credible Sources
13. Promoting Lifelong Learning
 - Utilizing eBooks for Skill Development
 - Exploring Educational eBooks
14. Embracing eBook Trends
 - Integration of Multimedia Elements

- Interactive and Gamified eBooks

Sd22 Service Manual Introduction

In the digital age, access to information has become easier than ever before. The ability to download Sd22 Service Manual has revolutionized the way we consume written content. Whether you are a student looking for course material, an avid reader searching for your next favorite book, or a professional seeking research papers, the option to download Sd22 Service Manual has opened up a world of possibilities. Downloading Sd22 Service Manual provides numerous advantages over physical copies of books and documents. Firstly, it is incredibly convenient. Gone are the days of carrying around heavy textbooks or bulky folders filled with papers. With the click of a button, you can gain immediate access to valuable resources on any device. This convenience allows for efficient studying, researching, and reading on the go. Moreover, the cost-effective nature of downloading Sd22 Service Manual has democratized knowledge. Traditional books and academic journals can be expensive, making it difficult for individuals with limited financial resources to access information. By offering free PDF downloads, publishers and authors are enabling a wider audience to benefit from their work. This inclusivity promotes equal opportunities for learning and personal growth. There are numerous websites and platforms where individuals can download Sd22 Service Manual. These websites range from academic databases offering research papers and journals to online libraries with an expansive collection of books from various genres. Many authors and publishers also upload their work to specific websites, granting readers access to their content without any charge. These platforms not only provide access to existing literature but also serve as an excellent platform for undiscovered authors to share their work with the world. However, it is essential to be cautious while downloading Sd22 Service Manual. Some websites may offer pirated or illegally obtained copies of copyrighted material. Engaging in such activities not only violates copyright laws but also undermines the efforts of authors, publishers, and researchers. To ensure ethical downloading, it is advisable to utilize reputable websites that prioritize the legal distribution of content. When downloading Sd22 Service Manual, users should also consider the potential security risks associated with online platforms. Malicious actors may exploit vulnerabilities in unprotected websites to distribute malware or steal personal information. To protect themselves, individuals should ensure their devices have reliable antivirus software installed and validate the legitimacy of the websites they are downloading from. In conclusion, the ability to download Sd22 Service Manual has transformed the way we access information. With the convenience, cost-effectiveness, and accessibility it offers, free PDF downloads have become a popular choice for students, researchers, and book lovers worldwide. However, it is crucial to engage in ethical downloading practices and prioritize personal security when utilizing online platforms. By doing so, individuals can make the most of the vast array of free PDF resources available and embark on a journey of continuous learning and intellectual growth.

FAQs About Sd22 Service Manual Books

How do I know which eBook platform is the best for me? Finding the best eBook platform depends on your reading preferences and device compatibility. Research different platforms, read user reviews, and explore their features before making a choice. Are free eBooks of good quality? Yes, many reputable platforms offer high-quality free eBooks, including classics and public domain works. However, make sure to verify the source to ensure the eBook credibility. Can I read eBooks without an eReader? Absolutely! Most eBook platforms offer webbased readers or mobile apps that allow you to read eBooks on your computer, tablet, or smartphone. How do I avoid digital eye strain while reading eBooks? To prevent digital eye strain, take regular breaks, adjust the font size and background color, and ensure proper lighting while reading eBooks. What the advantage of interactive eBooks? Interactive eBooks incorporate multimedia elements, quizzes, and activities, enhancing the reader engagement and providing a more immersive learning experience. Sd22 Service Manual is one of the best book in our library for free trial. We provide copy of Sd22 Service Manual in digital format, so the resources that you find are reliable. There are also many Ebooks of related with Sd22 Service Manual. Where to download Sd22 Service Manual online for free? Are you looking for Sd22 Service Manual PDF? This is definitely going to save you time and cash in something you should think about. If you trying to find then search around for online. Without a doubt there are numerous these available and many of them have the freedom. However without doubt you receive whatever you purchase. An alternate way to get ideas is always to check another Sd22 Service Manual. This method for see exactly what may be included and adopt these ideas to your book. This site will almost certainly help you save time and effort, money and stress. If you are looking for free books then you really should consider finding to assist you try this. Several of Sd22 Service Manual are for sale to free while some are payable. If you arent sure if the books you would like to download works with for usage along with your computer, it is possible to download free trials. The free guides make it easy for someone to free access online library for download books to your device. You can get free download on free trial for lots of books categories. Our library is the biggest of these that have literally hundreds of thousands of different products categories represented. You will also see that there are specific sites catered to different product types or categories, brands or niches related with Sd22 Service Manual. So depending on what exactly you are searching, you will be able to choose e books to suit your own need. Need to access completely for Campbell Biology Seventh Edition book? Access Ebook without any digging. And by having access to our ebook online or by storing it on your computer, you have convenient answers with Sd22 Service Manual To get started finding Sd22 Service Manual, you are right to find our website which has a comprehensive collection of books online. Our library is the biggest of these that have literally hundreds of thousands of different products represented. You will also see that there are specific sites catered to different categories or niches related with Sd22 Service Manual So depending on what exactly you are searching, you will be able to choose ebook to suit your own need. Thank you for reading Sd22 Service

Manual. Maybe you have knowledge that, people have search numerous times for their favorite readings like this Sd22 Service Manual, but end up in harmful downloads. Rather than reading a good book with a cup of coffee in the afternoon, instead they juggled with some harmful bugs inside their laptop. Sd22 Service Manual is available in our book collection an online access to it is set as public so you can download it instantly. Our digital library spans in multiple locations, allowing you to get the most less latency time to download any of our books like this one. Merely said, Sd22 Service Manual is universally compatible with any devices to read.

Find Sd22 Service Manual :

[nissan pickup 1998 2006 service repair manual](#)

nissan micra tekna user manual

[nissan quest 2004 2005 2006 2007 2008 2009 factory service repair workshop manual](#)

[nissan primera 20p12 haynes](#)

nissan highway star manual

nissan micra ignition wire colours

~~[nissan sentra complete workshop repair manual 2004](#)~~

nissan patrol gq y60 manual

~~[nissan note 2006 factory service repair manual](#)~~

[nissan murano servise manual](#)

[nissan sentra 1986 engines manual](#)

[nissan pulsar 1996 belt diagram](#)

[nissan pulsar n16 workshop manual](#)

~~[nissan maxima cefiro a32 workshop manual 1995 1996 1997 1998 1999](#)~~

[nissan gtr manual conversion](#)

Sd22 Service Manual :

2022 employee agreement changes r costco reddit - Aug 17 2023

web feb 16 2022 the changes in the 2022 employee agreement have been announced see the attached pictures for a copy of the email from ceo craig jelinek thank you to u that charity 6373 for posting the confirmation email please keep discussions about the new agreement within this thread

is there an online version of the employee handbook r costco reddit - Aug 05 2022

web apr 22 2014 everybodyspoop 10 yr ago nope maybe if you search hard enough some third party uploaded it somewhere but an employee handbook is not something a company will make easily available online

2022 employee handbook - Jun 03 2022

web 2022 employee handbook introduction welcome to our amazing company purpose of this handbook mission statement your role in achieving our mission employee types full time employee full time employee regularly works at least 35 hours per week part time employee

employee handbooks costco jd supra - Dec 09 2022

web jan 12 2013 costco follow employee handbooks are reference manuals for new and current employees on the policies and procedures of a particular employer a comprehensive employee handbooks outlines

9 must know costco staff benefits perks and discounts - Jul 04 2022

web apr 27 2023 costco has ever been known as a great place to work exceptionally for part time employees but i thought computers was time the take a deep dive into accurate what employee benefits plus deductions costco offers their workers perks ensure just might sway your decision the way or another at deciding to question or accept a job offer

costco employee handbook 2022 fw zasti - Jan 30 2022

web reviewing costco employee handbook 2022 unlocking the spellbinding force of linguistics in a fast paced world fueled by information and interconnectivity the spellbinding force of linguistics has acquired newfound prominence

7 surprising rules costco employees have the follow - Sep 06 2022

web jul 31 2022 pretty much all workplaces have employee brochures and specified rules so are directly associative with the flow is the business however some actual and former costco employee have exposed certain play that they think to to controversial

7 overwhelming rules costco employees have to follow - Feb 11 2023

web jul 31 2022 good looking often all workstation have employee handbooks and specific regulations that are directly associated with the flow of of business nevertheless some currently and former costco employees have exposed certain rules ensure yours believe to must controversial

employee website costco - Sep 18 2023

web connect with costco today your employee magazine get the latest news from around the company and chat with other employees

employee handbook r costco reddit - Jul 16 2023

web nov 25 2021 employee handbook r costco by weekly carpet 9485 employee handbook has anyone heard anything from

the new employee handbook that is coming next march this thread is archived new comments cannot be posted and votes cannot be cast 12 16 related topics costco public company s p 500 business finance business

get the free costco employee agreement 2021 form pdffiller - Nov 08 2022

web costco employee agreements are contracts between the company and its employees that outline the terms and conditions of employment this includes things like wages benefits job duties policies and other important information
employee handbook fill and sign printable template online - Apr 01 2022

web send the new costco employee handbook in an electronic form right after you are done with completing it your information is well protected since we adhere to the newest security standards join millions of satisfied users that are already filling

possible 2022 handbook r costco reddit - Jun 15 2023

web jan 6 2022 i imagine we will find out soon the handbook usually comes out before march so that way your gm managers can have meetings with employees to sign off on the new book

costco wholesale employee handbook example airmason blog - Oct 07 2022

web jun 27 2023 the costco wholesale employee handbook provides important information and guidelines for employees at costco employees can easily access and fill out the costco employee agreement form online following the provided instructions

new costco employee agreement summary takes effect in - May 02 2022

web feb 23 2019 hello i believe it s actually a national policy you get either a paid year of leave at 55 of your salary or 18 months of leave at 33 of your salary it works out to roughly the same amount of money if you do a year or 18 months this is paid by the government and some companies will even top up your salary

new costco employee handbook r costco reddit - May 14 2023

web mar 22 2022 new costco employee handbook my coworker received his handbook today i looked at it on my break and noticed that the bonus for employees under 10 years was still 2500 twice a year we had a meeting a couple weeks back where we went over some of the big changes

it s official costco workers are paid to be nice to you yahoo news - Mar 12 2023

web feb 25 2023 the costco employee handbook says front end workers must greet every member with a smile the company says it takes significant pride in putting members needs first outlining a high

costco employee handbook and their advantages how i got - Apr 13 2023

web jan 3 2023 the employee handbook of costco contains information such as shift hours pay range what you will receive if you work overtime and how much costco will pay for overtime what benefits costco offers to its employees and other such

descriptions rules for employees in the costco employee handbook

raise in next employee agreement r costco reddit - Jan 10 2023

web dec 14 2021 almost every new employee agreement has a higher starting pay what many people fail to see is that costco is big on rewarding employees for longevity on day one at costco you would be given a handbook outlining your pay based on hours worked

costco employee handbook harvard university - Feb 28 2022

web costco employee handbook below the new employee manual benjamin gilad phd 2019 03 19 welcome to corporate life the new employee manual is not your dad s or mom s employee manual it s the new playbook for corporate survival fitting today s realities and the challenges facing employees who join or work in large seemingly

cha teaux de la loire 2017 2018 petit futa c guid - Nov 16 2021

web 2 cha teaux de la loire 2017 2018 petit futa c guid 2023 02 19 pleurant à amboise ses quatre enfants morts en bas âge marie de médicis fuyant le château de blois

cha teaux de la loire 2017 2018 petit futa c guid pdf - Dec 18 2021

web cha teaux de la loire 2017 2018 petit futa c guid 5 5 blois inspirés par l italie au retour de leurs expéditions guerrières les rois aménagent lices et jardins jeux de

cha teaux de la loire 2017 2018 petit futa c guid - Jun 23 2022

web cha teaux de la loire 2017 2018 petit futa c guid les châteaux de la loire au fil des siècles château de la loire châteaux de la loire châteaux de la loire 2022

cha teaux de la loire 2019 petit futa c guides re download - Jan 19 2022

web un très beau livre animé pour découvrir la vie quotidienne au temps de françois ier et les merveilles des châteaux de la loire françois ier et les châteaux de la loire penguin

cha teaux de la loire 2019 petit futa c guides re 2023 - May 03 2023

web petit futa c guides re an enthralling opus penned by a highly acclaimed wordsmith readers attempt an immersive expedition to unravel the intricate significance of language

cha teaux de la loire 2017 2018 petit futa c guid 2023 - Feb 17 2022

web 4 cha teaux de la loire 2017 2018 petit futa c guid 2022 05 08 parus néanmoins jamais ils n ont connu un tel écrin que cet ouvrage outre le point de vue original offert

guide pays de la loire 2015 petit futa c download only - Jan 31 2023

web guide du routard châteaux de la loire 2021 guide du routard pays basque france espagne béarn 2017 18 l intégrale de la loire à vélo guide pays de la loire 2015

petit futa c cha teaux de la loire cyberlab sudt edu sg - Jul 25 2022

web petit futa c cha teaux de la loire monthly bulletin of statistics october 2019 bulletin mensuel de statistique octobre 2019
dec 16 2022 each issue of the monthly bulletin of

petit futa c cha teaux de la loire copy pivotid uvu - Sep 07 2023

web petit futa c cha teaux de la loire petit futa c cha teaux de la loire 2 downloaded from pivotid uvu edu on 2023 03 26 by
guest his family written in the year after northup

cha teaux de la loire 2017 2018 petit futa c guid - Oct 08 2023

web les châteaux de la loire considérés et traités comme un ensemble homogène cohérent et élément d une civilisation
chambord blois amboise azay le rideau chenonceau

cha teaux de la loire 2017 2018 petit futa c guid solutions - Aug 06 2023

web une vingtaine de récits autour des châteaux de la loire et de leurs illustres occupants les châteaux de la loire h f ullmann
publishing la renaissance s épanouit en

cha teaux de la loire 2017 2018 petit futa c guid uniport edu - Apr 21 2022

web oct 21 2023 webcha teaux de la loire 2017 2018 petit futa c guid 1 cha teaux de la loire 2017 2018 petit futa c guid
when somebody should go to the books stores

cha teaux de la loire 2017 2018 petit futa c guid uniport edu - Mar 01 2023

web oct 15 2023 all we come up with the money for cha teaux de la loire 2017 2018 petit futa c guid and numerous book
collections from fictions to scientific research in any way

cha teaux de la loire 2017 2018 petit futa c guid copy - Mar 21 2022

web oct 23 2023 cha teaux de la loire 2017 2018 petit futa c guid 2 6 downloaded from uniport edu ng on october 23 2023
by guest have countless ebook cha teaux de la

petit futa c cha teaux de la loire pdf - Aug 26 2022

web reviewing petit futa c cha teaux de la loire unlocking the spellbinding force of linguistics in a fast paced world fueled by
information and interconnectivity the

cha teaux de la loire 2019 petit futa c guides re download - Jun 04 2023

web french michelin green guide chateaux de la loire les chateaux de la loire châteaux de la loire chateaux of the loire
translated by m th olano and ian robertson

guide cha teaux de la loire 2017 petit futa c cdn writermag - Apr 02 2023

web guide cha teaux de la loire 2017 petit futa c downloaded from cdn writermag com by guest shepard cayden guide du
routard châteaux de la loire 2022 23 hachette

petit futé châteaux de la loire by petit futé rhur impacthub net - Sep 26 2022

web la dame de chez maxim copioni hypnerotomachia livre fr bases de donnes business le ch teau de croat ebooks gratuits
sesam revue savante et artistique de la

petit futé châteaux de la loire by petit futé rhur impacthub net - Nov 28 2022

web sep 18 2023 petit futé châteaux de la loire by petit futé le ch teau de croat ebooks gratuits full text of journal of the
royal asiatic society of r cit de voyage au

cha teaux de la loire 2017 2018 petit futa c guid pdf - Jul 05 2023

web cha teaux de la loire 2017 2018 petit futa c guid 1 4 downloaded from uniport edu ng on october 20 2023 by guest cha
teaux de la loire 2017 2018 petit futa c guid

petit futa c cha teaux de la loire anjou berry so copy - Oct 28 2022

web petit futa c cha teaux de la loire anjou berry so 3 3 community on the caribbean island much has been written about the
maroons of jamaica little about the maroons of

cha teaux de la loire 2017 2018 petit futa c guid pdf - Dec 30 2022

web cha teaux de la loire 2017 2018 petit futa c guid 1 cha teaux de la loire 2017 2018 petit futa c guid when somebody
should go to the books stores search inauguration

cha teaux de la loire 2017 2018 petit futa c guid pdf - May 23 2022

web cha teaux de la loire 2017 2018 petit futa c guid downloaded from store spiralny com by guest oneill smith chateaux de
la loire rough guides un guide lonely planet

working at charlotte maxeke johannesburg academic hospital - Oct 24 2022

web charlotte maxeke johannesburg academic hospital does not have any open south africa 2094 never miss another job
opportunity at charlotte maxeke johannesburg

charlotte maxeke johannesburg academic hospital cmjah - Dec 26 2022

web home faculties and schools health sciences schools clinical medicine departments paediatrics and child health contact us
charlotte maxeke johannesburg academic

charlotte maxeke johannesburg academic hospital - Feb 25 2023

web 201 500 employees employees at charlotte maxeke johannesburg academic hospital heinrich cyril volmink public health
physician and former member of parliament dr

charlotte maxeke johannesburg academic hospital careers24 - Sep 22 2022

web may 9th 2018 centre charlotte maxeke johannesburg academic hospital requirements basic r425 qualification diploma
degree in nursing that allows

public service vacancy circular publication no 33 - Aug 02 2023

web oct 2 2012 in a quest to ensure access and improved delivery of quality health care more than 100 vacancies are in a process of being filled at charlotte maxeke johannesburg

charlotte maxeke hospital medicine healthcare nursing jobs in - Apr 29 2023

web research nurse 12 months contract gauteng the clinical triallocation charlotte maxeke johannesburg academic hospital and bertha gxowa hospital germiston share this

november 23x new charlotte maxeke hospital - Oct 04 2023

web show all job titles find out what works well at charlotte maxeke johannesburg academic hospital from the people who know best get the inside scoop on jobs

charlotte maxeke johannesburg academic hospital - Feb 13 2022

web charlotte maxeke johannesburg academic hospital vacancies charlotte maxeke johannesburg academic hospital vacancies provincial administration

charlotte maxeke hospital vacancies jobs in gauteng - Mar 29 2023

web the charlotte maxeke johannesburg academic hospital is an accredited general hospital in parktown johannesburg gauteng south africa size and capability the

nursing charlotte maxeke hospital jobs in johannesburg - May 31 2023

web save ad charlotte maxeke academic hospital is looking for workers to apply call mr ledwaba on 0608620231 charlotte maxeke

charlotte maxeke johannesburg academic hospital vacancies - Jan 15 2022

web oct 17 2023 a psychiatric patient punched a wall in ward 161 at charlotte maxeke academic hospital in johannesburg photo supplied there was an incident where

charlotte maxeke johannesburg academic hospital linkedin - Jan 27 2023

web charlotte maxeke johannesburg academic hospital cmjah address 7 york road parktown johannesburg 2193 name role email prof d ramaema head of clinical

charlotte maxeke johannesburg academic hospital vacancies - Oct 12 2021

charlotte maxeke johannesburg academic hospital vacancies - Jun 19 2022

web maxeke johannesburg academic hospital chris hani baragwanath academic hospital centre charlotte maxeke johannesburg academic hospital requirements

vacancies in charlotte maxeke johannesburg academic hospital - Nov 12 2021

web charlotte maxeke johannesburg academic hospital vacancies it is thoroughly basic then presently we extend the associate to buy and create bargains to fetch and set up

charlotte maxeke academic hospital vacancies - Apr 17 2022

web may 13th 2018 centre charlotte maxeke johannesburg academic hospital requirements basic r425 qualification diploma degree in nursing that allows

charlotte maxeke johannesburg academic hospital wits - Nov 24 2022

web glassdoor gives you an inside look at what it s like to work at charlotte maxeke johannesburg academic hospital including salaries reviews office photos and

charlotte maxeke johannesburg academic hospital - Sep 03 2023

web centre charlotte maxeke johannesburg academic hospital requirements appropriate medical qualification that allows registration with the hpcsa as a specialist

charlotte maxeke johannesburg academic hospital vacancies - Mar 17 2022

web charlotte maxeke johannesburg academic hospital johannesburg 1 491 likes 1 was here jobs opening at charlotte maxeke 0665332685

charlotte maxeke hospital medical specialist vacancies in - Jul 21 2022

web charlotte maxeke johannesburg academic hospital vacancies dpsa circular 8 of 2018 gauteng department of health government vacancies in south africa hospital

vacancies in charlotte maxeke johannesburg academic hospital - Aug 22 2022

web jul 4 2023 the applications for charlotte maxeke hospital medical specialist vacancies are being accepted to fill the vacant seats in johannesburg applicants should rapidly

dismal care for psychiatric patients at joburg s charlotte maxeke - Dec 14 2021

web 4 vacancies in charlotte maxeke johannesburg academic hospital 2022 05 22 founded in 1912 by african national congress anc convenor pixley seme with

charlotte maxeke johannesburg academic hospital vacancies - May 19 2022

web may 4th 2018 centre charlotte maxeke johannesburg academic hospital requirements basic r425 qualification diploma degree in nursing that allows

department in progress of filling posts at charlotte maxeke - Jul 01 2023

web nursing charlotte maxeke hospital jobs now available in johannesburg gauteng registered nurse nurse midwife and more on indeed com