

2206D Engines

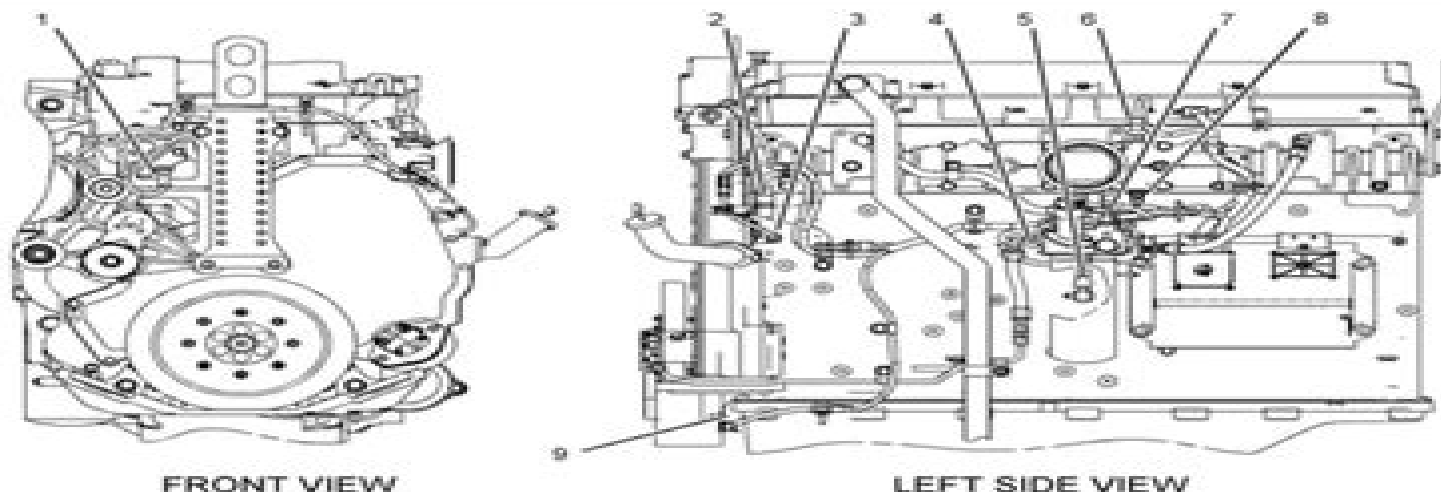


Illustration 5

Locations of the sensors on 2206D engines

- (1) Engine coolant temperature sensor
- (2) Atmospheric pressure sensor
- (3) Secondary engine speed/timing sensor

- (4) Fuel pressure sensor
- (5) Engine oil pressure sensor
- (6) Boost pressure sensor

- (7) Fuel temperature sensor
- (8) Intake manifold air temperature sensor
- (9) Primary engine speed/timing sensor

g0109046

i02957563

Diagnostic Capabilities

Diagnostic Codes

The engines Electronic Control Module (ECM) can monitor the circuitry between the ECM and the engines components. The ECM can also monitor the engines operating conditions. If the ECM detects a problem, a code is generated.

There are two categories of codes:

- Diagnostic code
- Event code

Diagnostic Code – A diagnostic code indicates an electrical problem such as a short circuit or an open circuit in the engines wiring or in an electrical component.

Event Code – An event code is generated by the detection of an abnormal engine operating condition. For example, an event code will be generated if the oil pressure is too low. In this case, the event code indicates the symptom of a problem. Generally, event codes indicate abnormal operating conditions or mechanical problems rather than electrical problems.

Codes can have two different states:

- Active
- Logged

Active Codes

An active code indicates that a problem is present. Service the active code first. For the appropriate troubleshooting procedure for a particular code, refer to the appropriate troubleshooting procedure.

Perkins 2200 Series Parts Manual

Marco Cascella



Perkins 2200 Series Parts Manual:

Embark on a transformative journey with Explore the World with is captivating work, **Perkins 2200 Series Parts Manual** . This enlightening ebook, available for download in a convenient PDF format Download in PDF: , invites you to explore a world of boundless knowledge. Unleash your intellectual curiosity and discover the power of words as you dive into this riveting creation. Download now and elevate your reading experience to new heights .

<https://crm.avenza.com/files/browse/Documents/Section%2011b%20Ready%20To%20Go%20On%20Quiz.pdf>

Table of Contents Perkins 2200 Series Parts Manual

1. Understanding the eBook Perkins 2200 Series Parts Manual
 - The Rise of Digital Reading Perkins 2200 Series Parts Manual
 - Advantages of eBooks Over Traditional Books
2. Identifying Perkins 2200 Series Parts Manual
 - Exploring Different Genres
 - Considering Fiction vs. Non-Fiction
 - Determining Your Reading Goals
3. Choosing the Right eBook Platform
 - Popular eBook Platforms
 - Features to Look for in an Perkins 2200 Series Parts Manual
 - User-Friendly Interface
4. Exploring eBook Recommendations from Perkins 2200 Series Parts Manual
 - Personalized Recommendations
 - Perkins 2200 Series Parts Manual User Reviews and Ratings
 - Perkins 2200 Series Parts Manual and Bestseller Lists
5. Accessing Perkins 2200 Series Parts Manual Free and Paid eBooks
 - Perkins 2200 Series Parts Manual Public Domain eBooks
 - Perkins 2200 Series Parts Manual eBook Subscription Services
 - Perkins 2200 Series Parts Manual Budget-Friendly Options

6. Navigating Perkins 2200 Series Parts Manual eBook Formats
 - ePub, PDF, MOBI, and More
 - Perkins 2200 Series Parts Manual Compatibility with Devices
 - Perkins 2200 Series Parts Manual Enhanced eBook Features
7. Enhancing Your Reading Experience
 - Adjustable Fonts and Text Sizes of Perkins 2200 Series Parts Manual
 - Highlighting and Note-Taking Perkins 2200 Series Parts Manual
 - Interactive Elements Perkins 2200 Series Parts Manual
8. Staying Engaged with Perkins 2200 Series Parts Manual
 - Joining Online Reading Communities
 - Participating in Virtual Book Clubs
 - Following Authors and Publishers Perkins 2200 Series Parts Manual
9. Balancing eBooks and Physical Books Perkins 2200 Series Parts Manual
 - Benefits of a Digital Library
 - Creating a Diverse Reading Collection Perkins 2200 Series Parts Manual
10. Overcoming Reading Challenges
 - Dealing with Digital Eye Strain
 - Minimizing Distractions
 - Managing Screen Time
11. Cultivating a Reading Routine Perkins 2200 Series Parts Manual
 - Setting Reading Goals Perkins 2200 Series Parts Manual
 - Carving Out Dedicated Reading Time
12. Sourcing Reliable Information of Perkins 2200 Series Parts Manual
 - Fact-Checking eBook Content of Perkins 2200 Series Parts Manual
 - Distinguishing Credible Sources
13. Promoting Lifelong Learning
 - Utilizing eBooks for Skill Development
 - Exploring Educational eBooks
14. Embracing eBook Trends
 - Integration of Multimedia Elements

- Interactive and Gamified eBooks

Perkins 2200 Series Parts Manual Introduction

Free PDF Books and Manuals for Download: Unlocking Knowledge at Your Fingertips In today's fast-paced digital age, obtaining valuable knowledge has become easier than ever. Thanks to the internet, a vast array of books and manuals are now available for free download in PDF format. Whether you are a student, professional, or simply an avid reader, this treasure trove of downloadable resources offers a wealth of information, conveniently accessible anytime, anywhere. The advent of online libraries and platforms dedicated to sharing knowledge has revolutionized the way we consume information. No longer confined to physical libraries or bookstores, readers can now access an extensive collection of digital books and manuals with just a few clicks. These resources, available in PDF, Microsoft Word, and PowerPoint formats, cater to a wide range of interests, including literature, technology, science, history, and much more. One notable platform where you can explore and download free Perkins 2200 Series Parts Manual PDF books and manuals is the internet's largest free library. Hosted online, this catalog compiles a vast assortment of documents, making it a veritable goldmine of knowledge. With its easy-to-use website interface and customizable PDF generator, this platform offers a user-friendly experience, allowing individuals to effortlessly navigate and access the information they seek. The availability of free PDF books and manuals on this platform demonstrates its commitment to democratizing education and empowering individuals with the tools needed to succeed in their chosen fields. It allows anyone, regardless of their background or financial limitations, to expand their horizons and gain insights from experts in various disciplines. One of the most significant advantages of downloading PDF books and manuals lies in their portability. Unlike physical copies, digital books can be stored and carried on a single device, such as a tablet or smartphone, saving valuable space and weight. This convenience makes it possible for readers to have their entire library at their fingertips, whether they are commuting, traveling, or simply enjoying a lazy afternoon at home. Additionally, digital files are easily searchable, enabling readers to locate specific information within seconds. With a few keystrokes, users can search for keywords, topics, or phrases, making research and finding relevant information a breeze. This efficiency saves time and effort, streamlining the learning process and allowing individuals to focus on extracting the information they need. Furthermore, the availability of free PDF books and manuals fosters a culture of continuous learning. By removing financial barriers, more people can access educational resources and pursue lifelong learning, contributing to personal growth and professional development. This democratization of knowledge promotes intellectual curiosity and empowers individuals to become lifelong learners, promoting progress and innovation in various fields. It is worth noting that while accessing free Perkins 2200 Series Parts Manual PDF books and manuals is convenient and cost-effective, it is vital to respect copyright laws and intellectual property rights. Platforms offering free downloads often operate within legal

boundaries, ensuring that the materials they provide are either in the public domain or authorized for distribution. By adhering to copyright laws, users can enjoy the benefits of free access to knowledge while supporting the authors and publishers who make these resources available. In conclusion, the availability of Perkins 2200 Series Parts Manual free PDF books and manuals for download has revolutionized the way we access and consume knowledge. With just a few clicks, individuals can explore a vast collection of resources across different disciplines, all free of charge. This accessibility empowers individuals to become lifelong learners, contributing to personal growth, professional development, and the advancement of society as a whole. So why not unlock a world of knowledge today? Start exploring the vast sea of free PDF books and manuals waiting to be discovered right at your fingertips.

FAQs About Perkins 2200 Series Parts Manual Books

What is a Perkins 2200 Series Parts Manual PDF? A PDF (Portable Document Format) is a file format developed by Adobe that preserves the layout and formatting of a document, regardless of the software, hardware, or operating system used to view or print it. **How do I create a Perkins 2200 Series Parts Manual PDF?** There are several ways to create a PDF: Use software like Adobe Acrobat, Microsoft Word, or Google Docs, which often have built-in PDF creation tools. Print to PDF: Many applications and operating systems have a "Print to PDF" option that allows you to save a document as a PDF file instead of printing it on paper. Online converters: There are various online tools that can convert different file types to PDF. **How do I edit a Perkins 2200 Series Parts Manual PDF?** Editing a PDF can be done with software like Adobe Acrobat, which allows direct editing of text, images, and other elements within the PDF. Some free tools, like PDFescape or Smallpdf, also offer basic editing capabilities. **How do I convert a Perkins 2200 Series Parts Manual PDF to another file format?** There are multiple ways to convert a PDF to another format: Use online converters like Smallpdf, Zamzar, or Adobe Acrobats export feature to convert PDFs to formats like Word, Excel, JPEG, etc. Software like Adobe Acrobat, Microsoft Word, or other PDF editors may have options to export or save PDFs in different formats. **How do I password-protect a Perkins 2200 Series Parts Manual PDF?** Most PDF editing software allows you to add password protection. In Adobe Acrobat, for instance, you can go to "File" -> "Properties" -> "Security" to set a password to restrict access or editing capabilities. Are there any free alternatives to Adobe Acrobat for working with PDFs? Yes, there are many free alternatives for working with PDFs, such as: LibreOffice: Offers PDF editing features. PDFsam: Allows splitting, merging, and editing PDFs. Foxit Reader: Provides basic PDF viewing and editing capabilities. How do I compress a PDF file? You can use online tools like Smallpdf, ILovePDF, or desktop software like Adobe Acrobat to compress PDF files without significant quality loss. Compression reduces the file size, making it easier to share and download. Can I fill out forms in a PDF file? Yes, most PDF viewers/editors

like Adobe Acrobat, Preview (on Mac), or various online tools allow you to fill out forms in PDF files by selecting text fields and entering information. Are there any restrictions when working with PDFs? Some PDFs might have restrictions set by their creator, such as password protection, editing restrictions, or print restrictions. Breaking these restrictions might require specific software or tools, which may or may not be legal depending on the circumstances and local laws.

Find Perkins 2200 Series Parts Manual :

section 11b ready to go on quiz

[section 19 2 hydrogen ions and acidity answer](#)

section 1 structure of the atom

section 2 terrestrial biomes

secant practice problems

secondary packet solutions the giver literature guide

[sebo se321 vacuums owners manual](#)

[section 2 2 physical properties answer key](#)

sebesta programming languages solutions manual

section 1 history of taxonomy answer key

secret fighting arts of the warrior race betleh yigel

section 12 4 universal forces level b

[second h laptop for sale](#)

section 1 primates study guide

section 2 reinforcement classifying chemical reactions

Perkins 2200 Series Parts Manual :

ley orgÁnica del poder judicial edición actualizada - Aug 02 2022

web edición actualizada 2021 ley orgánica 6 1985 de 1 de julio del poder judicial legislación española actualizada formato 8 5 x 11 editores navas amazon es

[boe a 1985 12666 ley orgánica 6 1985 de 1 de julio - Aug 14 2023](#)

web boe a 1985 12666 ley orgánica 6 1985 de 1 de julio del poder judicial

[alizado ley orgánica del poder judicial agencia estatal - Mar 09 2023](#)

web ley orgánica del poder judicial Última modificacin 23 de dici embre de 2022 alizado norma al día gobierno de españa ministerio de la presidencia

ley orgánica del poder judicial de la federación camara de - Oct 04 2022

web se expide la ley orgánica del poder judicial de la federación título primero del poder judicial de la federación capítulo Único de los Órganos del

ley orgánica 6 1985 de 1 de julio del poder judicial - Apr 10 2023

web ley orgánica 6 1985 de 1 de julio del poder judicial jefatura del estado boe núm 157 de 02 de julio de 1985 referencia boe a 1985 12666

asamblea nacional - Dec 26 2021

web aug 26 1998 ley de reforma de la ley orgánica del poder judicial sus deberes y atribuciones son las definidas por la constitución los tratados acuerdos y convenios

i disposiciones generales congreso - May 31 2022

web la objetivación de criterios se manifiesta en el establecimiento en el artículo 86 de la ley orgánica del poder judicial de un número fijo de habitantes para que el gobierno

ley orgánica del poder judicial lefebvre - Sep 03 2022

web novedades esta nueva edición de la ley orgánica del poder judicial rigurosamente actualizada incluye una profunda revisión de los comentarios de cada precepto

ley orgánica del tribunal supremo de justicia - Feb 25 2022

web mar 31 2022 gaceta oficial no 6 684 extraordinario de fecha 19 de enero de 2022 la asamblea nacional de la república bolivariana de venezuela decreta

boe es ley orgánica del poder judicial - Jul 13 2023

web ley orgánica del poder judicial agencia estatal boletín oficial del estado avda de manoterías 54 28050 madrid de manoterías 54 28050 madrid

ley orgánica del poder judicial 1985 ley orgánica 6 1985 de 1 - Oct 24 2021

web ley orgánica del poder judicial 1985 ley orgánica 6 1985 de 1 julio rcl 1985 1578 poder judicial poder judicial reducción de magistrados en el tribunal

ley orgánica 6 1985 de 1 de julio del poder judicial - Dec 06 2022

web artículo 2 1 el ejercicio de la potestad jurisdiccional juzgando y haciendo ejecutar lo juzgado corresponde exclusivamente a los juzgados y tribunales determinados en las

ley orgánica del poder judicial english translation linguee - Jul 01 2022

web la ley orgánica del poder judicial aprobada en 1991 introdujo la figura de un órgano de gobierno al interior del poder judicial distinto a la corte suprema de justicia de la

ley orgánica del poder judicial del estado de - Nov 24 2021

web ley orgánica del poder judicial del estado de yucatán h congreso del estado de yucatán oficialía mayor unidad de servicios técnico legislativos Última re

ley organica del poder judicial edicion basica en pdf pdf - Apr 29 2022

web ley organica del poder judicial edicion basica en pdf upload caliva z ferguson 2 6 downloaded from election tv standardmedia co ke on august 31 2023 by caliva z

ley organica del poder judicial de nicaragua - Jan 27 2022

web artículo 1 el presente reglamento tiene por objeto desarrollar las normas jurídicas contenidas en la ley no 260 ley orgánica del poder judicial de la república de

ley orgánica 6 1985 de 1 de julio del poder judicial wipo - Jan 07 2023

web antes de que se procediese a la organización integral del poder judicial tal ley orgánica tiene en no pocos aspectos un carácter provisional que se reconoce explícitamente en

ley orgánica del poder judicial edición básica en formato a4 - Nov 05 2022

web ley orgánica del poder judicial edición básica en formato a4 editorial adriano amazon es libros

ley organica del poder judicial edicion basica en - Mar 29 2022

web ley orgánica del poder judicial feb 09 2021 la presente edición básica de la ley orgánica 6 1985 de 1 de julio del poder judicial tiene por objeto su utilización en la

ley orgánica 6 1985 de 1 de julio del poder noticias jurídicas - Jun 12 2023

web ocultar mostrar comentarios numeral 1^a del apartado 1 del artículo 570 bis introducido en su actual redacción por el número uno del artículo único de la l o 8 2022 de 27 de

el poder judicial agencia estatal boletín oficial del estado - Feb 08 2023

web en esta línea la modificación de la ley orgánica 6 1985 de 1 de julio del poder judicial ahonda en la búsqueda de soluciones que den respuesta a algunos de los problemas

ley orgánica 6 1985 de 1 de julio del poder judicial - May 11 2023

web ley orgánica 6 1985 de 1 de julio del poder judicial título i noticias jurídicas legislación ficha versiones revisiones ficha Órganojefatura del estado

the heathrow doctor the highs and lows of life as a - Oct 07 2023

web jun 28 2018 the heathrow doctor the highs and lows of life as an airport doctor stephanie green 3 95 1 516 ratings92

reviews for over a decade stephanie green was

[the heathrow doctor the highs and lows of life as an airport](#) - Oct 27 2022

web the heathrow doctor the highs and lows of life as a doctor at heathrow airport audio download dr stephanie green

heather long headline amazon co uk books

the heathrow doctor the highs and lows of life as 2022 - Apr 20 2022

web find many great new used options and get the best deals for the heathrow doctor the highs and lows of life as a doctor at heathrow airport by stephanie green 2022

the heathrow doctor the highs and lows of life as a doctor at - Mar 20 2022

web 1 day ago last modified on tue 7 nov 2023 10 42 est more than 150 000 adults and children with type 1 diabetes in england and wales are to be offered an artificial

[the heathrow doctor the highs and lows of life as a doctor at](#) - Nov 27 2022

web an exhilarating insight into the life of a doctor at heathrow airport where the truth is often stranger than fiction for over a decade stephanie green was a doctor on call for one

[the heathrow doctor the highs and lows of life as a doctor at](#) - Apr 01 2023

web the heathrow doctor the highs and lows of life as an airport doctor ebook written by dr stephanie green read this book using google play books app on your pc

the heathrow doctor the highs and lows of life as a doctor at - Sep 25 2022

web the heathrow doctor the highs and lows of life as a doctor at heathrow airport green dr stephanie 9781472256942 books amazon ca

the heathrow doctor the highs and lows of life as a doctor at - Dec 29 2022

web the heathrow doctor the highs and lows of life as a doctor at heathrow airport green dr stephanie amazon com tr kitap

[the heathrow doctor the highs and lows of life as an airport](#) - May 02 2023

web an exhilarating insight into the life of a doctor at heathrow airport where the truth is often stranger than fiction for over a decade stephanie green was a doctor on call for one

the heathrow doctor the highs and lows of life as an airport - Dec 17 2021

the heathrow doctor the highs and lows of life as a doctor at - Jun 22 2022

web the heathrow doctor the highs and lows of life as an airport doctor green dr stephanie amazon com au books

the heathrow doctor the highs and lows of life as - Aug 05 2023

web nov 22 2022 an exhilarating insight into the life of a doctor at heathrow airport where the truth is often stranger than

fiction for over a decade stephanie green was a doctor

the heathrow doctor the highs and lows of life as an a - Sep 06 2023

web an exhilarating insight into the life of a doctor at heathrow airport where the truth is often stranger than fiction for over a decade stephanie green was a doctor on call for one

the heathrow doctor the highs and lows of life as a doctor at - Aug 25 2022

web the heathrow doctor the highs and lows of life as a doctor at heathrow airport by dr stephanie green alibris books biography autobiography personal memoirs the

the heathrow doctor the highs and lows of life as an airport - Feb 28 2023

web the heathrow doctor the highs and lows of life as a doctor at heathrow airport by green dr dr stephanie at abebooks co uk isbn 10 1472256948 isbn 13

the heathrow doctor the highs and lows of life as a doctor at - Jul 04 2023

web an exhilarating insight into the life of a doctor at heathrow airport where the truth is often stranger than fiction for over a decade stephanie green was a doctor on call for one of

the heathrow doctor the highs and lows of life as a doctor - Jul 24 2022

web the heathrow doctor the highs and lows of life as a doctor at heathrow airport green dr dr stephanie amazon sg books

the heathrow doctor the highs and lows of life as an airport - May 22 2022

web the heathrow doctor the highs and lows of life as 3 3 over a decade stephanie green was a doctor on call for one of the world s busiest airports confronting dramatic

the heathrow doctor the highs and lows of life as an airport - Jun 03 2023

web jun 28 2018 the heathrow doctor the highs and lows of life as an airport doctor ebook green dr stephanie amazon ca kindle store

the heathrow doctor the highs and lows of life as - Jan 18 2022

nhs to offer 150 000 people with type 1 diabetes an artificial - Feb 16 2022

web jun 28 2018 an exhilarating insight into the life of a doctor at heathrow airport where the truth is often stranger than fiction for over a decade uh oh it looks like your

9781472256942 *the heathrow doctor the highs and lows of* - Jan 30 2023

web the heathrow doctor the highs and lows of life as a doctor at heathrow airport audiobook written by dr stephanie green narrated by heather long get instant access

bastien boogie rock and country level 2 piano james bastien - Nov 06 2022

web dec 31 2014 bastien boogie rock and country level 2 piano bookreader item preview tesseract 5 3 0 3 g9920 ocr detected lang en ocr detected lang conf 1 0000 ocr detected script latin ocr detected script conf 0 8884 ocr module version 0 0 20 ocr parameters l eng old pallet

bastien boogie rock and country level 3 piano - Mar 10 2023

web bastien boogie rock and country level 3 piano bastien piano basics colourful fun to play songs original tunes and arrangements local rate 0333 344 0070 sign in register total 0 00 0 checkout choose currency

boogie rock country level 1 bastien piano basics - Dec 07 2022

web boogie rock country level 1 bastien piano basics bookreader item preview boogie rock country level 1 bastien piano basics by james bastien publication date 1987 publisher neil a kjos music co collection inlibrary printdisabled internetarchivebooks contributor internet archive

boogie rock and country level 3 bastien piano basics sheet - Jul 14 2023

web vdomdhtmltml buy boogie rock and country level 3 bastien piano basics by james bastien isbn 9780849793370 from amazon s book store everyday low prices and free delivery on eligible orders boogie rock and country level 3 bastien piano basics amazon co uk james bastien 9780849793370 books skip to main content

bastien james boogie rock country book sciarium - May 12 2023

web nov 28 2018 bastien james boogie rock country book pdf file size 24 80 mb added by elisa83 11 28 2018 01 53 info modified 11 28 2018 17 55 kjos music company 1987 24 p each of these splendidly colorful books enhance the learning process with contemporary sounding fun to play songs these original tunes and arrangements will

bastien piano basics free pdf - Sep 16 2023

web bastien piano basics level 1 bastien piano basics level 2 bastien piano basics level 3 bastien piano basics level 4 bastien piano basics chords arpeggios bastien piano basics theory primer level 1 bastien piano basics boogie rock and country level 1 free sheet music all instruments free pian just in learn to sing

boogie rock and country level 3 bastien piano basi pdf - Apr 11 2023

web boogie rock and country level 3 bastien piano basi the saline courier events moon taxi with the stews benton courier jun 01 2015 the saline courier events moon taxi with the stews benton courier harwood cross country rock solid on maine coast the valley reporter feb 11 2019

boogie rock country level 3 bastien amazon com au - Jun 13 2023

web wp240 boogie rock country level 3 bastien james bastien on amazon com au free shipping on eligible orders wp240 boogie rock country level 3 bastien

boogie rock and country level 3 bastien piano basi book - Feb 09 2023

web boogie rock and country level 3 bastien piano basi highway 61 revisited jan 16 2021 what do louis armstrong ray charles bob dylan willie nelson tom waits cassandra wilson and ani difranco have in common in highway 61 revisited acclaimed music critic gene santoro says the

boogie rock and country level 3 bastien piano basi pdf - Aug 03 2022

web sep 16 2023 our digital library hosts in multiple countries allowing you to get the most less latency time to download any of our books like this one merely said the boogie rock and country level 3 bastien piano basi pdf is universally compatible with any devices to read the american music teacher 2002

bastien james boogie rock and country level 1 sciarium - Mar 30 2022

web feb 14 2013 kjos music company 1997 55 p isbn10 849752663 isbn13 978 0849752667 piano tutorial first level in english mostly notes in the book but the lyrics are also given piano is the main lesson book in the bastien piano basics course the carefully graded logical learning sequence assures steady continual progress

boogie rock and country level 3 sheet music plus - Aug 15 2023

web boogie rock and country level 3 by james bastien music book sheet music for piano buy print music neil a kjos music company kj wp240 bastien piano basics level 3 pian 7 50 bastien piano basics level 3 tech 5 99 bastien piano basics level 3 theo 5 99 bastien piano

boogie rock and country level 3 bastien piano basi pdf - Apr 30 2022

web alfred s basic piano library lesson book bk 3 bastien boogie rock and country level 2 piano cinderella race rock and elvis the beginner s guide to rock and blues piano essential techniques and songs for the aspiring pianist piano keyboard bastien piano basics performance primer the american music teacher pete the cat and the cool

bastien piano basics boogie rock country level 1 pdf - Oct 05 2022

web f preface boogie rock country contains a variety of popular styles arranged in a progressive order of difficulty this book may be used to supplement bastien piano basics or any piano method at a similar level we offer you our best wishes for an enjoyable time with boogie rock country neil a kjos music company

[boogie rock and country level 3 bastien piano basi pdf](#) - Feb 26 2022

web 3 2023 by guest boogie rock and country level 3 bastien piano basi when somebody should go to the books stores search opening by shop shelf by shelf it is essentially problematic this is why we allow the books compilations in this website it will completely ease you to look guide boogie rock and country level 3 bastien piano basi as you

wp240 boogie rock country level 3 bastien amazon com - Oct 17 2023

web nov 7 1987 there are three levels in the boogie rock country books which is part of the bastian piano basics supplementary books these books are geared to 7 11 year old beginners and are supplements to a four level series there is

also a primer level 5 7 year old beginners level 1 is for the very beginner it s in 4 4

bastien boogie rock country level 3 piano - Sep 04 2022

web find many great new used options and get the best deals for bastien boogie rock country level 3 piano music book brand new on sale at the best online prices at ebay free shipping for many products

boogie rock and country level 3 bastien piano basi pdf - Jul 02 2022

web aug 23 2023 as this boogie rock and country level 3 bastien piano basi pdf it ends taking place beast one of the favored books boogie rock and country level 3 bastien piano basi pdf collections that we have this is why you remain in the best website to look the unbelievable book to have performance jane smisor bastien 1985

free boogie rock and country level 3 bastien piano basi - Jun 01 2022

web boogie rock and country level 3 bastien piano basi technic level 3 mar 15 2021 bastien christmas favourites level 3 pf apr 15 2021 bastien pop piano styles level 3 mar 27 2022 banjo chords jan 13 2021 this handy book shows all of the basic banjo chords in photo and diagram form the front of the book

boogie rock country level 3 by bastien for piano - Jan 08 2023

web boogie rock country level 3 by bastien piano 800 772 5918