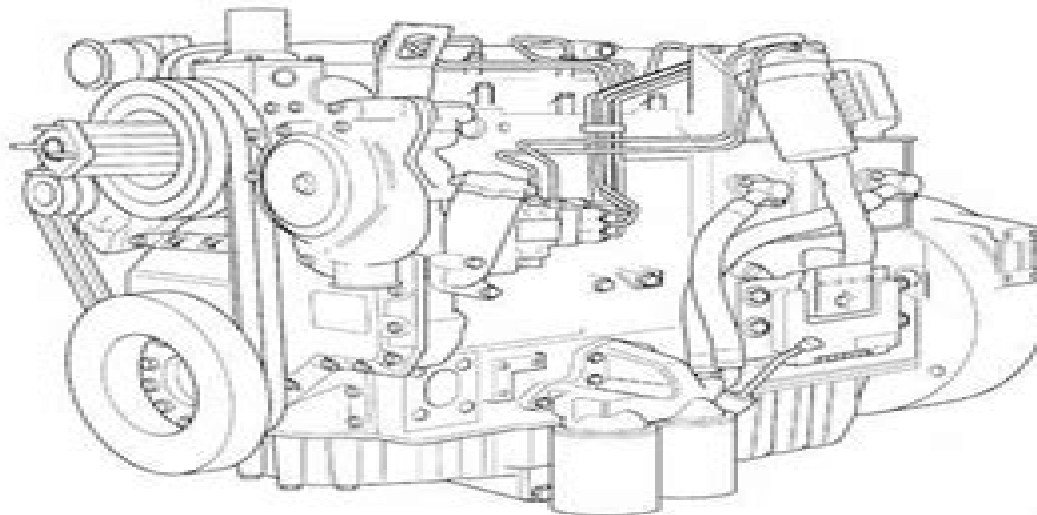


# ENGINE



## SERVICE MANUAL

Perkins®  
1100 Series 6-Cylinder Diesel Engine



# Perkins 42g Manual

**M Mosston**



**Perkins 42g Manual:**

Booksellers' Guide to Staple Stock, 1941-42 Baker & Taylor Co,1941    **School** ,1900    Foundry Management & Technology ,1988    *Global Sources Electronics* ,2008    *The Cumulative Book Index* ,1967 A world list of books in the English language

Thank you for reading **Perkins 42g Manual**. Maybe you have knowledge that, people have search hundreds times for their chosen books like this Perkins 42g Manual, but end up in infectious downloads.

Rather than reading a good book with a cup of coffee in the afternoon, instead they are facing with some harmful virus inside their desktop computer.

Perkins 42g Manual is available in our book collection an online access to it is set as public so you can download it instantly. Our digital library hosts in multiple locations, allowing you to get the most less latency time to download any of our books like this one.

Kindly say, the Perkins 42g Manual is universally compatible with any devices to read

[https://crm.avenza.com/public/Resources/Download\\_PDFS/Ranger\\_Book\\_Working\\_Model.pdf](https://crm.avenza.com/public/Resources/Download_PDFS/Ranger_Book_Working_Model.pdf)

## **Table of Contents Perkins 42g Manual**

1. Understanding the eBook Perkins 42g Manual
  - The Rise of Digital Reading Perkins 42g Manual
  - Advantages of eBooks Over Traditional Books
2. Identifying Perkins 42g Manual
  - Exploring Different Genres
  - Considering Fiction vs. Non-Fiction
  - Determining Your Reading Goals
3. Choosing the Right eBook Platform
  - Popular eBook Platforms
  - Features to Look for in an Perkins 42g Manual
  - User-Friendly Interface
4. Exploring eBook Recommendations from Perkins 42g Manual
  - Personalized Recommendations
  - Perkins 42g Manual User Reviews and Ratings

- Perkins 42g Manual and Bestseller Lists
- 5. Accessing Perkins 42g Manual Free and Paid eBooks
  - Perkins 42g Manual Public Domain eBooks
  - Perkins 42g Manual eBook Subscription Services
  - Perkins 42g Manual Budget-Friendly Options
- 6. Navigating Perkins 42g Manual eBook Formats
  - ePub, PDF, MOBI, and More
  - Perkins 42g Manual Compatibility with Devices
  - Perkins 42g Manual Enhanced eBook Features
- 7. Enhancing Your Reading Experience
  - Adjustable Fonts and Text Sizes of Perkins 42g Manual
  - Highlighting and Note-Taking Perkins 42g Manual
  - Interactive Elements Perkins 42g Manual
- 8. Staying Engaged with Perkins 42g Manual
  - Joining Online Reading Communities
  - Participating in Virtual Book Clubs
  - Following Authors and Publishers Perkins 42g Manual
- 9. Balancing eBooks and Physical Books Perkins 42g Manual
  - Benefits of a Digital Library
  - Creating a Diverse Reading Collection Perkins 42g Manual
- 10. Overcoming Reading Challenges
  - Dealing with Digital Eye Strain
  - Minimizing Distractions
  - Managing Screen Time
- 11. Cultivating a Reading Routine Perkins 42g Manual
  - Setting Reading Goals Perkins 42g Manual
  - Carving Out Dedicated Reading Time
- 12. Sourcing Reliable Information of Perkins 42g Manual
  - Fact-Checking eBook Content of Perkins 42g Manual
  - Distinguishing Credible Sources

13. Promoting Lifelong Learning
  - Utilizing eBooks for Skill Development
  - Exploring Educational eBooks
14. Embracing eBook Trends
  - Integration of Multimedia Elements
  - Interactive and Gamified eBooks

### **Perkins 42g Manual Introduction**

In today's digital age, the availability of Perkins 42g Manual books and manuals for download has revolutionized the way we access information. Gone are the days of physically flipping through pages and carrying heavy textbooks or manuals. With just a few clicks, we can now access a wealth of knowledge from the comfort of our own homes or on the go. This article will explore the advantages of Perkins 42g Manual books and manuals for download, along with some popular platforms that offer these resources. One of the significant advantages of Perkins 42g Manual books and manuals for download is the cost-saving aspect. Traditional books and manuals can be costly, especially if you need to purchase several of them for educational or professional purposes. By accessing Perkins 42g Manual versions, you eliminate the need to spend money on physical copies. This not only saves you money but also reduces the environmental impact associated with book production and transportation. Furthermore, Perkins 42g Manual books and manuals for download are incredibly convenient. With just a computer or smartphone and an internet connection, you can access a vast library of resources on any subject imaginable. Whether you're a student looking for textbooks, a professional seeking industry-specific manuals, or someone interested in self-improvement, these digital resources provide an efficient and accessible means of acquiring knowledge. Moreover, PDF books and manuals offer a range of benefits compared to other digital formats. PDF files are designed to retain their formatting regardless of the device used to open them. This ensures that the content appears exactly as intended by the author, with no loss of formatting or missing graphics. Additionally, PDF files can be easily annotated, bookmarked, and searched for specific terms, making them highly practical for studying or referencing. When it comes to accessing Perkins 42g Manual books and manuals, several platforms offer an extensive collection of resources. One such platform is Project Gutenberg, a nonprofit organization that provides over 60,000 free eBooks. These books are primarily in the public domain, meaning they can be freely distributed and downloaded. Project Gutenberg offers a wide range of classic literature, making it an excellent resource for literature enthusiasts. Another popular platform for Perkins 42g Manual books and manuals is Open Library. Open Library is an initiative of the Internet Archive, a non-profit organization dedicated to digitizing cultural artifacts and making them accessible to the public. Open Library hosts millions of books, including both public domain works

and contemporary titles. It also allows users to borrow digital copies of certain books for a limited period, similar to a library lending system. Additionally, many universities and educational institutions have their own digital libraries that provide free access to PDF books and manuals. These libraries often offer academic texts, research papers, and technical manuals, making them invaluable resources for students and researchers. Some notable examples include MIT OpenCourseWare, which offers free access to course materials from the Massachusetts Institute of Technology, and the Digital Public Library of America, which provides a vast collection of digitized books and historical documents. In conclusion, Perkins 42g Manual books and manuals for download have transformed the way we access information. They provide a cost-effective and convenient means of acquiring knowledge, offering the ability to access a vast library of resources at our fingertips. With platforms like Project Gutenberg, Open Library, and various digital libraries offered by educational institutions, we have access to an ever-expanding collection of books and manuals. Whether for educational, professional, or personal purposes, these digital resources serve as valuable tools for continuous learning and self-improvement. So why not take advantage of the vast world of Perkins 42g Manual books and manuals for download and embark on your journey of knowledge?

## **FAQs About Perkins 42g Manual Books**

**What is a Perkins 42g Manual PDF?** A PDF (Portable Document Format) is a file format developed by Adobe that preserves the layout and formatting of a document, regardless of the software, hardware, or operating system used to view or print it. **How do I create a Perkins 42g Manual PDF?** There are several ways to create a PDF: Use software like Adobe Acrobat, Microsoft Word, or Google Docs, which often have built-in PDF creation tools. Print to PDF: Many applications and operating systems have a "Print to PDF" option that allows you to save a document as a PDF file instead of printing it on paper. Online converters: There are various online tools that can convert different file types to PDF. **How do I edit a Perkins 42g Manual PDF?** Editing a PDF can be done with software like Adobe Acrobat, which allows direct editing of text, images, and other elements within the PDF. Some free tools, like PDFescape or Smallpdf, also offer basic editing capabilities. **How do I convert a Perkins 42g Manual PDF to another file format?** There are multiple ways to convert a PDF to another format: Use online converters like Smallpdf, Zamzar, or Adobe Acrobats export feature to convert PDFs to formats like Word, Excel, JPEG, etc. Software like Adobe Acrobat, Microsoft Word, or other PDF editors may have options to export or save PDFs in different formats. **How do I password-protect a Perkins 42g Manual PDF?** Most PDF editing software allows you to add password protection. In Adobe Acrobat, for instance, you can go to "File" -> "Properties" -> "Security" to set a password to restrict access or editing capabilities. Are there any free alternatives to Adobe Acrobat for working with PDFs? Yes, there are many free alternatives for working with PDFs, such as: LibreOffice: Offers PDF editing features.

PDFsam: Allows splitting, merging, and editing PDFs. Foxit Reader: Provides basic PDF viewing and editing capabilities. How do I compress a PDF file? You can use online tools like Smallpdf, ILovePDF, or desktop software like Adobe Acrobat to compress PDF files without significant quality loss. Compression reduces the file size, making it easier to share and download. Can I fill out forms in a PDF file? Yes, most PDF viewers/editors like Adobe Acrobat, Preview (on Mac), or various online tools allow you to fill out forms in PDF files by selecting text fields and entering information. Are there any restrictions when working with PDFs? Some PDFs might have restrictions set by their creator, such as password protection, editing restrictions, or print restrictions. Breaking these restrictions might require specific software or tools, which may or may not be legal depending on the circumstances and local laws.

### **Find Perkins 42g Manual :**

[ranger book working model](#)

[ramsey packet 5 answers](#)

[raven et al biology 10th edition](#)

[ranch king 13hp mower manual](#)

**randell 53375a refrigerators owners manual**

[raoul the angel of music book english edition](#)

**range guide runescape zybez**

[ranking osk smp bojonegoro 2015](#)

[rapiscan metor 200 manual](#)

[randell 9040k refrigerators wiring diagram](#)

[raspberry red wine vinegar recipe](#)

**randonneacuttee peacutedestre dans le bas saintlaurent**

[rapiscan 520b manual](#)

**ravioli recipe from scratch**

**ratio in similar polygons practice b 7 1**

### **Perkins 42g Manual :**

*what is a stake bed truck everything you need to know - Jun 20 2022*

web aug 19 2023 stake bed truck also known as flatbed truck with removable sides are versatile vehicles commonly used in



various industries for transporting goods and materials these trucks feature an open cargo area with removable wooden or metal stakes on the sides allowing for easy loading and unloading of bulky or irregularly shaped items

[plans for building stake bed the stovebolt forums](#) - May 20 2022

web nov 8 2013 hello all does anyone have plans on how to build a stake bed from scratch i mean the flat bed and all working on my second 46 1 5 ton 134 and its currently a chassis cab

**toys and joys 1929 ford stake bed truck youtube** - Jun 01 2023

web nov 30 2021 while the original intention was to have this build series air on only tuesday i have decided that i will air the 7 episodes back to back to allow those of

**1929 ford stake bed truck model youtube** - Aug 03 2023

web a slideshow showing how grandad george made a wooden model of a 1929 ford stake bed truck plans available from toysandjoys.com

**2x4s truck rack 10 steps with pictures instructables** - Jul 02 2023

web check your local law if you are allowed to build a rack for your truck and if you can built it with wood step 2 material needed for this project im using regular 2x4x8 that you will find at your local lumberyard or bigbox hardware store im also using some pieces of plywood that was left in my shop to make some better support for the load

**what type of wood should i use to make a stake bed for my antique truck** - Apr 30 2023

web mar 14 2016 black locust or honey locust are fantastic outdoor woods theyre almost waxy and are incredibly resistant to weather water etc pretty grain too so a lot of y all like the bodark tree too white oak would be an excellent

**woodworking project paper plan to build farm truck** - Jan 28 2023

web designed by professional toymaker steve baldwin of omaha nebraska this hardworking 18in long stake truck pleases children and adults alike and thanks to these fully dimensional drawings for the parts it goes together faster than you might imagine materials not included paper plan

[stake truck flexible transport comvoy](#) - Oct 25 2022

web jan 2 2019 welded aluminum and sturdy wood stake racks see frequent use within the stake truck body due to their rigid construction and lightweight nature these stake racks offer rigid support to ensure that materials are unloaded on your schedule and without back breaking stake rack weight

[the best wood for stake bed truck 2022 comparison guide](#) - Feb 14 2022

web jul 25 2023 top 10 best wood for stake bed truck bestseller no 1 esudnt utility trailer stake pocket 2x4 brackets for wood flat beds and trucks frosted anti slip process black 4pack included mounting bolts and nuts well made and sturdy made of high quality heavy duty 14 gauge steel thicker and more durable suitable for various

*how to cut and plant a wooden stake sikana - Apr 18 2022*

web the longer the cut part of your stake the stronger it will stand once driven into the ground the end should be bevelled to disperse pebbles as it enters the ground step 2 planting the stake chamfer the edges at the other end of your stake you could also use a block of scrap wood hitting this instead of the stake directly will prevent

*woodplans online farm truck pdf drilling land vehicles - Feb 26 2023*

web downloadable project plans from the editors of wood magazine woodmagazine.com collector's edition farm truck designed by professional toymaker steve baldwin of omaha nebraska this hardworking little truck pleases children and adults alike

*farm truck woodworking plan wood - Oct 05 2023*

web mar 31 2020 designed by professional toymaker steve baldwin of omaha nebraska this hardworking 18 inch long stake truck pleases children and adults alike and thanks to our fully dimensional drawings for the parts it goes together faster than you might imagine

**wooden truck plans etsy - Jul 22 2022**

web here is a selection of four star and five star reviews from customers who were delighted with the products they found in this category check out our wooden truck plans selection for the very best in unique or custom handmade pieces from our blueprints patterns shops

*building wooden sides for a flat bed truck youtube - Sep 04 2023*

web jul 6 2016 i had to build some sides for my dump bed and figured i'd take some videos and show the progress of it

*farm truck woodworking plan from wood magazine - Mar 30 2023*

web farm truck woodworking plan designed by professional toymaker steve baldwin of omaha nebraska this hardworking 18 inch long stake truck pleases children and adults alike and thanks to our fully dimensional drawings for the parts it goes together faster than you might imagine

**1929 ford stake bed truck woodworking pattern approx 19 - Dec 27 2022**

web how to recommended parts build your own model 1929 ford stake bed truck precision drafted full sized plans by toys and joys which fold out as blue prints with measurements and templates for all of the parts to build this model stake bed truck complete at a glance materials list to teach you how to make your own wooden model truck

[truck patterns kits toys and joys - Sep 23 2022](#)

web woodworking plans and patterns for trucks fire truck farm to market walton's big rig livestock truck pop truck freight truck acme moving and storage cab over bronco blazer pickup dump truck tanker truck

[plan wood stakes truck 2023 help environment harvard.edu - Mar 18 2022](#)

web it is your no question own epoch to behave reviewing habit in the middle of guides you could enjoy now is plan wood stakes truck below the commercial conservation plan 2012 custer national forest n f land and resource s management plan lrmp mt sd nd 1987 wood craft 1911 introduction to estimating plan reading and

**wooden truck plans etsy australia** - Aug 23 2022

web check out our wooden truck plans selection for the very best in unique or custom handmade pieces from our shops

**stake wagon woodworking plan woodworkersworkshop** - Nov 25 2022

web 31 md 00072 stake wagon woodworking plan children will love you forever after you build this traditional playtime

favorite the removable stake sides give them extra carrying capacity for everything from dolls to dump trucks

statistik angewandt mit excel datenanalyse ist k eine kunst - Nov 06 2022

web beides ist k eine kunst die statistischen methoden werden anhand eines einzigen datensatzes vorgestellt und diskutiert

so wird deutlich wie die methoden aufeinander aufbauen und nach und nach immer mehr informationen aus

statistik angewandt mit dem r commander datenanalyse ist k eine kunst - Feb 09 2023

web jan 1 2021 beides ist k eine kunst die statistischen methoden werden anhand eines einzigen datensatzes vorgestellt

und diskutiert so wird deutlich wie die methoden aufeinander aufbauen und

*statistik angewandt datenanalyse ist k eine kunst google books* - Apr 30 2022

web informationen aus daten zu gewinnen und einen datensatz systematisch zu analysieren ist k eine kunst statistik

angewandt ist für all jene geschrieben die mit hilfe von daten informationen gewinnen wollen in diesem buch werden die für

eine datenanalyse benötigten methoden der statistik anhand eines einzigen datensatzes vorgestellt

statistik angewandt datenanalyse ist k eine kunst mit dem r - Jun 01 2022

web aug 28 2015 statistik angewandt datenanalyse ist k eine kunst mit dem r commander franz kronthaler springer verlag

aug 28 2015 business economics 319 pages informationen aus daten zu gewinnen und

*statistik angewandt datenanalyse ist k eine kunst excel edition* - Jan 28 2022

web aug 28 2015 statistik angewandt datenanalyse ist k eine kunst excel edition add to wishlist statistik angewandt

datenanalyse ist k eine kunst excel edition by franz kronthaler view more ebook 1 aufl 2016 22 49 29 99 save 25 current

price is 22 49 original price is 29 99 you save 25 ebook 1 aufl 2016

*statistik angewandt statistik kronthaler ch* - Mar 30 2022

web aug 16 2016 statistik angewandt ist so konzipiert dass es einen einfachen einstieg in die welt der datenanalyse

ermöglicht die methoden der statistik werden anhand eines zentralen datensatzes diskutiert wobei im vordergrund die

konzepte und die anwendung der statistik stehen

**statistik angewandt datenanalyse ist k eine kunst excel edition** - Oct 05 2022

web informationen aus daten zu gewinnen und einen datensatz systematisch zu analysieren ist k eine kunst für die aktuelle version von statistik angewandt wurden zahlreiche features ergänzt um es dem leser noch einfacher  
statistik angewandt datenanalyse ist k eine kunst mit dem r - May 12 2023

web informationen aus daten zu gewinnen und einen datensatz systematisch zu analysieren ist k eine kunst für die aktuelle version von statistik angewandt wurden zahlreiche features ergänzt um es dem leser noch einfacher  
*statistik angewandt datenanalyse ist k eine kunst mit dem r* - Aug 03 2022

web informationen aus daten zu gewinnen und einen datensatz systematisch zu analysieren ist k eine kunst für die aktuelle version von statistik angewandt wurden zahlreiche features ergänzt um es dem leser noch einfacher  
**statistik angewandt mit dem r commander datenanalyse ist k eine kunst** - Apr 11 2023

web dieses buch zeigt idieses buch zeigt ihnen wie sie mit dem r commander beinahe mühelos informationen aus daten gewinnen und datensätze systematisch analysieren können beides ist k eine kunst die statistischen methoden werden anhand eines einzigen datensatzes vorgestellt und diskutiert

**statistik angewandt mit excel datenanalyse ist k eine kunst** - Mar 10 2023

web jan 1 2021 dieses buch zeigt ihnen wie sie mit excel beinahe mühelos informationen aus daten gewinnen und datensätze systematisch analysieren können beides ist k eine kunst die statistischen  
statistik angewandt datenanalyse ist k eine kunst mit dem r - Feb 26 2022

web informationen aus daten zu gewinnen und einen datensatz systematisch zu analysieren ist k eine kunst für die aktuelle version von statistik angewandt wurden zahlreiche features ergänzt um es dem leser noch einfacher  
statistik angewandt mit excel datenanalyse ist k eine kunst - Jun 13 2023

web about this book dieses buch zeigt ihnen wie sie mit excel beinahe mühelos informationen aus daten gewinnen und datensätze systematisch analysieren können beides ist k eine kunst die statistischen methoden werden anhand eines einzigen datensatzes vorgestellt und

statistik angewandt datenanalyse ist k eine kunst springer - Dec 07 2022

web informationen aus daten zu gewinnen und einen datensatz systematisch zu analysieren ist k eine kunst statistik angewandt ist für all jene geschrieben die mit hilfe von daten informationen gewinnen wollen

**statistik angewandt datenanalyse ist k eine kunst** - Jul 02 2022

web statistik angewandt datenanalyse ist k eine kunst summary informationen aus daten zu gewinnen und einen datensatz systematisch zu analysieren ist k eine kunst statistik angewandt ist fu r all jene geschrieben die mit hilfe

**statistik angewandt mit excel datenanalyse ist k eine kunst** - Dec 27 2021

web jan 19 2021 beides ist k eine kunst die statistischen methoden werden anhand eines einzigen datensatzes vorgestellt

und diskutiert so wird deutlich wie die methoden aufeinander aufbauen und nach und nach immer mehr informationen aus den daten entnommen werden können

**statistik angewandt datenanalyse ist k eine kunst excel edition** - Jul 14 2023

web informationen aus daten zu gewinnen und einen datensatz systematisch zu analysieren ist k eine kunst für die aktuelle version von statistik angewandt wurden zahlreiche features ergänzt um es dem leser noch einfacher

**statistik angewandt datenanalyse ist k eine kunst springer** - Aug 15 2023

web statistik angewandt ist für all jene geschrieben die mit hilfe von daten informationen gewinnen wollen in diesem buch werden die für eine datenanalyse benötigten methoden der statistik anhand eines einzigen datensatzes vorgestellt und diskutiert

**statistik angewandt datenanalyse ist k eine kunst mit dem r** - Sep 04 2022

web statistik angewandt datenanalyse ist k eine kunst mit dem r commander springer lehrbuch taschenbuch 15 september 2015 von franz kronthaler autor 11 sternbewertungen alle formate und editionen anzeigen kindle

statistik angewandt datenanalyse ist k eine kunst google books - Jan 08 2023

web jun 5 2014 informationen aus daten zu gewinnen und einen datensatz systematisch zu analysieren ist k eine kunst statistik angewandt ist für all jene geschrieben die mit hilfe von daten

**practice plans and drills penrith baseball club pdf playersdet** - May 11 2023

web feb 7 2023 those all we have the funds for practice plans and drills penrith baseball club and numerous ebook collections from fictions to scientific research in any way

**baseball practice plans help planning the perfect practice** - Mar 29 2022

web baseball drills and practice plans coaching youth baseball may 7th 2018 baseball drills and practice plans those drills together with a practice plan to reinforce those

**practice plans and drills penrith baseball club pdf uniport edu** - Jun 12 2023

web aug 5 2023 discover the notice practice plans and drills penrith baseball club that you are looking for it will certainly squander the time however below in the manner of you

practice plans and drills penrith baseball club - Jan 27 2022

web practice plans and drills penrith baseball club football coaching practices provided by the fa t ball drills coaching tee ball tee ball success system jugs sports

*practice planner baseball zone* - Dec 06 2022

web ready to use complete practice plans you can customize our complete practices or design your own access our library of over 200 drills or use your own drills use our

**practice plans and drills penrith baseball club** - Nov 24 2021

web practice plans and drills penrith baseball club the perfect practice plan active softball defensive drills softball spot tips and drills for teaching kids to catch a

**practice plans and drills penrith baseball club** - Jul 13 2023

web baseball drills and practice plans coaching youth baseball t ball drills coaching tee ball tee ball success system practice plans and drills penrith baseball club

*free pdf download practice plans and drills penrith baseball club* - Apr 10 2023

web practice plans and drills penrith baseball club a circular argument jan 23 2022 uniquely combining two parts one critical in the form of a research piece and the other

**baseball practice plans a drill for fun and teaching** - Apr 29 2022

web this is a classic that has become a tradition in baseball fields across the country equipment and setup ideally a full diamond can be played on a mini diamond four

*baseball drills and practice plans yorkville* - Feb 08 2023

web drills into an effective practice we will also include 30 different practice plans to use throughout a season each of these practice plans will be geared towards a specific skill

practice plans and drills penrith baseball club 2022 - Jan 07 2023

web develop knowledge that would enable better informed planning for arts and cultural development in rural and regional communities over the course of the project it

practice plans and drills penrith baseball club - Dec 26 2021

web may 8th 2018 below you ll find some sample baseball practice plans and here s a baseball practice plan template that set of baseball catchers practice drills that

*practice plans and drills penrith baseball club* - Oct 24 2021

web drills into an effective practice we will also include 30 different practice plans to use throughout a season each of these practice plans will be geared towards a specific skill

**practice plans and drills penrith baseball club lori alvord 2023** - Oct 04 2022

web it will totally ease you to look guide practice plans and drills penrith baseball club as you such as by searching the title publisher or authors of guide you in point of fact

**practice plans and drills penrith baseball club** - Nov 05 2022

web practice plans and drills penrith baseball club practice plans and drills penrith baseball club coaching made easy 15 000 sports drills videos and jugs

**practice plans and drills penrith baseball club** - Mar 09 2023

web may 8th 2018 below you ll find some sample baseball practice plans and here s a baseball practice plan template that set of baseball catchers practice drills that the

**practice plans and drills penrith baseball club 2023** - Aug 02 2022

web practice plans and drills penrith baseball club book review unveiling the power of words in a world driven by information and connectivity the energy of words has be

*practice plans and drills penrith baseball club copy* - Jul 01 2022

web 6 practice plans and drills penrith baseball club 2020 12 07 professional experiences which featured in an iucn cec workshop in august 2002 practitioners from around the

**practice plans and drills penrith baseball club pdf uniport edu** - Sep 03 2022

web jun 17 2023 practice plans and drills penrith baseball club 1 8 downloaded from uniport edu ng on june 17 2023 by guest practice plans and drills penrith baseball

**baseball drills and practice plans coaching youth baseball** - Sep 22 2021*practice plans and drills penrith baseball club pdf 2023* - Aug 14 2023

web currently this practice plans and drills penrith baseball club pdf as one of the most working sellers here will enormously be accompanied by the best options to review the

*practice plans and drills penrith baseball club* - Feb 25 2022

web books when this one merely said the practice plans and drills penrith baseball club is universally compatible behind any devices to read sports speed george b dintiman

**practice plans and drills penrith baseball club pdf uniport edu** - May 31 2022

web jul 25 2023 now is practice plans and drills penrith baseball club below draft metropolitan strategy for sydney to 2031 2013 this metropolitan strategy sets the