

Illustration 1

Left side view of the 4000-107 Turbocharged engine

- | | | |
|---------------------------|------------------|-------------------------|
| (1) Fuel control solenoid | (8) Turbocharger | (13) Engine oil filter |
| (2) Air filter | (9) Piston pin | (14) Oil pan |
| (3) Air filter housing | (10) Piston | (15) Oil pan drain plug |
| (4) Water pump | (11) Crankshaft | (16) Crankshaft pulley |
| (5) Intake manifold | (12) Crankshaft | (17) Crankshaft |

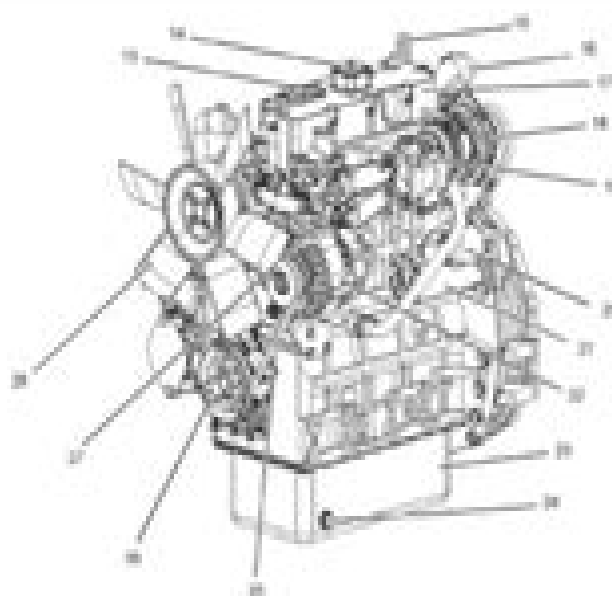


Illustration 2

Right side view of the 4000-107 Turbocharged engine

- | | | |
|----------------------------|-----------------|------------------|
| (18) Oil pan | (11) Crankshaft | (25) Fuel filter |
| (19) Fuel control solenoid | (12) Crankshaft | (26) Fuel filter |
| (20) Air filter | (13) Crankshaft | (27) Fuel filter |
| (21) Air filter housing | (14) Crankshaft | (28) Fuel filter |
| (22) Water pump | (15) Crankshaft | (29) Fuel filter |
| (23) Intake manifold | (16) Crankshaft | (30) Fuel filter |
| (24) Turbocharger | (17) Crankshaft | (31) Fuel filter |

Fuel System

General Operation of the Fuel System

Refer to Systems Operation, "General Information" for locations of the components for the fuel system.

Perkins 404d Manual

Emilie Sanchez



Perkins 404d Manual:

Moody's Manual of Investments John Sherman Porter, 1958 American government securities 1928 53 in 5 annual vols v 1 Railroad securities 1952 53 Transportation v 2 Industrial securities v 3 Public utility securities v 4 Government securities 1928 54 v 5 Banks insurance companies investment trusts real estate finance and credit companies 1928 54 **Moody's OTC Unlisted Manual** ,1996 *Readers' Guide to Periodical Literature* ,1911 [Industrial Arts Index](#) ,1914 **The Industrial Arts Index** ,1914 *Whitaker's Cumulative Book List* ,1977 **Electronics** ,1939 **Electronics Buyers' Guide** ,1952 *Paperbacks in Print* ,1975 **Art Index Retrospective** ,1951 *British Books in Print* ,1978

Whitaker's Five-year Cumulative Book List ,1958 *Bibliographie der Rezensionen, mit Einschluss von Referaten und Selbstanzeigen* ,1931 [Perkins C6.354.4 AG/Ind, T6354.4 Mil 2674365 Turbocharger Rebuild Guide and Shop Manual](#) Brian Smothers, 2015-01-08 This shop manual covers the proper disassembly inspection rework assembly and installation of the 2674365 turbocharger found on the Perkins C6 354 4 AG Ind T6354 4 MIL engines Written by an industry professional this book contains full color photos diagrams torque specs and best practices Repairing your vehicle s turbocharger is easy and cost effective if you know how This shop manual covers Garrett Honeywell T04B71 465154 0007 465154 9007 465154 5007 465154 7 Turbochargers *Defender: Data and maintenance, Engine and engine systems. Vol 2. Transmission, Chassis and body, Air conditioning and electrical equipment* ,1993 **Dodge & Plymouth Vans Owners Workshop Manual** John Harold Haynes, P. B. Ward, 1978 *Trooper II (KB84) Workshop Manual* ,1987 **Dodge & Plymouth Vans Owners Workshop Manual** J. H. Haynes, 1983

This Engaging World of Kindle Books: A Thorough Guide Unveiling the Pros of E-book Books: A Realm of Ease and Flexibility

Kindle books, with their inherent portability and ease of access, have freed readers from the constraints of hardcopy books. Gone are the days of carrying bulky novels or meticulously searching for specific titles in bookstores. E-book devices, stylish and portable, effortlessly store an extensive library of books, allowing readers to immerse in their preferred reads anytime, everywhere. Whether traveling on a bustling train, lounging on a sunny beach, or just cozying up in bed, E-book books provide an exceptional level of ease.

A Reading World Unfolded: Exploring the Vast Array of E-book Perkins 404d Manual Perkins 404d Manual The Kindle Store, a digital treasure trove of literary gems, boasts an extensive collection of books spanning diverse genres, catering to every readers taste and choice. From captivating fiction and thought-provoking non-fiction to timeless classics and contemporary bestsellers, the E-book Store offers an unparalleled variety of titles to explore. Whether looking for escape through immersive tales of imagination and exploration, delving into the depths of historical narratives, or broadening ones understanding with insightful works of science and philosophical, the Kindle Shop provides a doorway to a literary world brimming with limitless possibilities.

A Game-changing Factor in the Bookish Scene: The Persistent Influence of E-book Books Perkins 404d Manual The advent of E-book books has certainly reshaped the literary landscape, introducing a model shift in the way books are released, distributed, and consumed. Traditional publishing houses have embraced the online revolution, adapting their strategies to accommodate the growing demand for e-books. This has led to a rise in the accessibility of Kindle titles, ensuring that readers have entry to a vast array of bookish works at their fingertips. Moreover, Kindle books have equalized entry to books, breaking down geographical limits and providing readers worldwide with equal opportunities to engage with the written word. Regardless of their place or socioeconomic background, individuals can now immerse themselves in the captivating world of literature, fostering a global community of readers.

Conclusion: Embracing the E-book Experience Perkins 404d Manual Kindle books Perkins 404d Manual, with their inherent ease, flexibility, and vast array of titles, have undoubtedly transformed the way we encounter literature. They offer readers the liberty to explore the limitless realm of written expression, anytime, everywhere. As we continue to travel the ever-evolving online scene, Kindle books stand as testament to the lasting power of storytelling, ensuring that the joy of reading remains accessible to all.

https://crm.avenza.com/files/publication/Download_PDFS/parentsprofessionnels_agrave_leacutepreuve_de_la_rencontre.pdf

Table of Contents Perkins 404d Manual

1. Understanding the eBook Perkins 404d Manual
 - The Rise of Digital Reading Perkins 404d Manual
 - Advantages of eBooks Over Traditional Books
2. Identifying Perkins 404d Manual
 - Exploring Different Genres
 - Considering Fiction vs. Non-Fiction
 - Determining Your Reading Goals
3. Choosing the Right eBook Platform
 - Popular eBook Platforms
 - Features to Look for in an Perkins 404d Manual
 - User-Friendly Interface
4. Exploring eBook Recommendations from Perkins 404d Manual
 - Personalized Recommendations
 - Perkins 404d Manual User Reviews and Ratings
 - Perkins 404d Manual and Bestseller Lists
5. Accessing Perkins 404d Manual Free and Paid eBooks
 - Perkins 404d Manual Public Domain eBooks
 - Perkins 404d Manual eBook Subscription Services
 - Perkins 404d Manual Budget-Friendly Options
6. Navigating Perkins 404d Manual eBook Formats
 - ePub, PDF, MOBI, and More
 - Perkins 404d Manual Compatibility with Devices
 - Perkins 404d Manual Enhanced eBook Features
7. Enhancing Your Reading Experience
 - Adjustable Fonts and Text Sizes of Perkins 404d Manual
 - Highlighting and Note-Taking Perkins 404d Manual
 - Interactive Elements Perkins 404d Manual
8. Staying Engaged with Perkins 404d Manual

- Joining Online Reading Communities
 - Participating in Virtual Book Clubs
 - Following Authors and Publishers Perkins 404d Manual
9. Balancing eBooks and Physical Books Perkins 404d Manual
- Benefits of a Digital Library
 - Creating a Diverse Reading Collection Perkins 404d Manual
10. Overcoming Reading Challenges
- Dealing with Digital Eye Strain
 - Minimizing Distractions
 - Managing Screen Time
11. Cultivating a Reading Routine Perkins 404d Manual
- Setting Reading Goals Perkins 404d Manual
 - Carving Out Dedicated Reading Time
12. Sourcing Reliable Information of Perkins 404d Manual
- Fact-Checking eBook Content of Perkins 404d Manual
 - Distinguishing Credible Sources
13. Promoting Lifelong Learning
- Utilizing eBooks for Skill Development
 - Exploring Educational eBooks
14. Embracing eBook Trends
- Integration of Multimedia Elements
 - Interactive and Gamified eBooks

Perkins 404d Manual Introduction

Perkins 404d Manual Offers over 60,000 free eBooks, including many classics that are in the public domain. Open Library: Provides access to over 1 million free eBooks, including classic literature and contemporary works. Perkins 404d Manual Offers a vast collection of books, some of which are available for free as PDF downloads, particularly older books in the public domain. Perkins 404d Manual : This website hosts a vast collection of scientific articles, books, and textbooks. While it operates in a legal gray area due to copyright issues, its a popular resource for finding various publications. Internet Archive for Perkins 404d Manual : Has an extensive collection of digital content, including books, articles, videos, and more. It has a

massive library of free downloadable books. Free-eBooks Perkins 404d Manual Offers a diverse range of free eBooks across various genres. Perkins 404d Manual Focuses mainly on educational books, textbooks, and business books. It offers free PDF downloads for educational purposes. Perkins 404d Manual Provides a large selection of free eBooks in different genres, which are available for download in various formats, including PDF. Finding specific Perkins 404d Manual, especially related to Perkins 404d Manual, might be challenging as theyre often artistic creations rather than practical blueprints. However, you can explore the following steps to search for or create your own Online Searches: Look for websites, forums, or blogs dedicated to Perkins 404d Manual, Sometimes enthusiasts share their designs or concepts in PDF format. Books and Magazines Some Perkins 404d Manual books or magazines might include. Look for these in online stores or libraries. Remember that while Perkins 404d Manual, sharing copyrighted material without permission is not legal. Always ensure youre either creating your own or obtaining them from legitimate sources that allow sharing and downloading. Library Check if your local library offers eBook lending services. Many libraries have digital catalogs where you can borrow Perkins 404d Manual eBooks for free, including popular titles. Online Retailers: Websites like Amazon, Google Books, or Apple Books often sell eBooks. Sometimes, authors or publishers offer promotions or free periods for certain books. Authors Website Occasionally, authors provide excerpts or short stories for free on their websites. While this might not be the Perkins 404d Manual full book , it can give you a taste of the authors writing style. Subscription Services Platforms like Kindle Unlimited or Scribd offer subscription-based access to a wide range of Perkins 404d Manual eBooks, including some popular titles.

FAQs About Perkins 404d Manual Books

1. Where can I buy Perkins 404d Manual books? Bookstores: Physical bookstores like Barnes & Noble, Waterstones, and independent local stores. Online Retailers: Amazon, Book Depository, and various online bookstores offer a wide range of books in physical and digital formats.
2. What are the different book formats available? Hardcover: Sturdy and durable, usually more expensive. Paperback: Cheaper, lighter, and more portable than hardcovers. E-books: Digital books available for e-readers like Kindle or software like Apple Books, Kindle, and Google Play Books.
3. How do I choose a Perkins 404d Manual book to read? Genres: Consider the genre you enjoy (fiction, non-fiction, mystery, sci-fi, etc.). Recommendations: Ask friends, join book clubs, or explore online reviews and recommendations. Author: If you like a particular author, you might enjoy more of their work.
4. How do I take care of Perkins 404d Manual books? Storage: Keep them away from direct sunlight and in a dry

- environment. Handling: Avoid folding pages, use bookmarks, and handle them with clean hands. Cleaning: Gently dust the covers and pages occasionally.
5. Can I borrow books without buying them? Public Libraries: Local libraries offer a wide range of books for borrowing. Book Swaps: Community book exchanges or online platforms where people exchange books.
 6. How can I track my reading progress or manage my book collection? Book Tracking Apps: Goodreads, LibraryThing, and Book Catalogue are popular apps for tracking your reading progress and managing book collections. Spreadsheets: You can create your own spreadsheet to track books read, ratings, and other details.
 7. What are Perkins 404d Manual audiobooks, and where can I find them? Audiobooks: Audio recordings of books, perfect for listening while commuting or multitasking. Platforms: Audible, LibriVox, and Google Play Books offer a wide selection of audiobooks.
 8. How do I support authors or the book industry? Buy Books: Purchase books from authors or independent bookstores. Reviews: Leave reviews on platforms like Goodreads or Amazon. Promotion: Share your favorite books on social media or recommend them to friends.
 9. Are there book clubs or reading communities I can join? Local Clubs: Check for local book clubs in libraries or community centers. Online Communities: Platforms like Goodreads have virtual book clubs and discussion groups.
 10. Can I read Perkins 404d Manual books for free? Public Domain Books: Many classic books are available for free as they're in the public domain. Free E-books: Some websites offer free e-books legally, like Project Gutenberg or Open Library.

Find Perkins 404d Manual :

[parentsprofessionnels agrave leacutepreuve de la rencontre](#)

[parrot user manual](#)

[park bench comprehension tests grade 2](#)

[parrot mki900install guide honda accord](#)

[parkers car ers guide](#)

[paris super guide](#)

[parliamo italiano lab manual key](#)

[partial periodic table answers chapter 5](#)

[pascal sternacutes weltanalyse 0seiten der totalen irren weltlage german edition](#)

partial differential equations haberman solution manual

parent eagle scout recommendation letter

passat 97 power steering repair manual

passages to teach main idea 2nd grade

pasadena babalon 6 x 9

paramedics course quiz

Perkins 404d Manual :

7 ways to master vocabulary youtube - Sep 04 2022

web use these 7 methods to build your vocabulary these techniques will guarantee that you encounter new words learn them remember them and use them before you know it you ll have a rich

mastering new words effective tips for teaching vocabulary - Mar 10 2023

web may 29 2023 the article provides valuable insights and practical tips for educators to enhance their vocabulary teaching methods and help students master new words effectively it offers strategies such as using context incorporating visual aids and promoting active engagement to create a dynamic and immersive learning experience for

how to study vocabulary words 12 steps with pictures wikihow - May 12 2023

web mar 6 2023 how to study vocabulary words vocabulary words are tough to memorize at the last minute even if you don't have much time left however the right approach will go a long way here are many options for studying vocabulary in your native language or a foreign tongue

words to master vocabulary list vocabulary com - Apr 30 2022

web sep 2 2010 practice answer a few questions on each word use this to prep for your next quiz vocabulary jam compete with other teams in real time to see who answers the most questions correctly spelling bee test your spelling acumen read the definition listen to the word and try spelling it

teaching vocabulary reading rockets - Feb 09 2023

web instruction in vocabulary involves far more than looking up words in a dictionary and using the words in a sentence vocabulary is acquired incidentally through indirect exposure to words and intentionally through explicit instruction in specific words and word learning strategies

effective vocabulary instruction fosters knowing words using words - Jan 08 2023

web method three aspects of vocabulary instruction choosing words to teach the inclusion of morphological information and the importance of engaging students in interactions around words will be explored considerations in choosing words include

their role in the language and their utility to students

instructions for mastering vocabulary words - Dec 27 2021

web words mastering arabic vocabulary and pronunciation get wise mastering vocabulary skills ielts speaking vocabulary builder mastering french words mastering vocabulary mastering english systematic instruction in reading for spanish speaking students mastering german vocabulary cognitive linguistic approaches to teaching

instructions for mastering vocabulary words vocabulary word - Jun 01 2022

web instructions for mastering vocabulary words michaelbuckhoff com contrasts sometimes the meaning of vocabulary words can be understood because they are in contrast to another word in the sentence some words to show contrast are the following instructions words mastering vocabulary instructions for mastering vocabulary

ten ways to learn new words as a language learner - Nov 06 2022

web feb 16 2017 word lists and index cards are great for revisiting vocabulary you have already learned but to make a new word stick in your mind try linking it with something meaningful to you you will be more likely to remember a new word if it is used in a context you find interesting or are passionate about

instructions for mastering vocabulary words liululu - Jan 28 2022

web essential toefl vocabulary list pdf instructions for mastering vocabulary words practicing essential words focus on vocabulary mastering the academic word since the focus of this study is on effective vocabulary teaching strategies employed by teachers in the english for academic

five key principles for effective vocabulary instruction - Apr 11 2023

web here are five key principles to effective vocabulary instruction home reading topics a z background knowledge five key principles for effective vocabulary instruction effective vocabulary teaching has five key principles 1 focus on rich meanings not just dictionary definitions

pdf instructions for mastering vocabulary words pdf - Mar 30 2022

web aug 22 2023 merely said the instructions for mastering vocabulary words pdf is universally compatible with any devices to read vocabulary instruction edward j kame enui 2012 03 28 this highly regarded work brings together prominent authorities on vocabulary teaching and learning to provide a comprehensive yet concise guide to

instructions for mastering vocabulary words better toefl - Aug 15 2023

web instructions for mastering vocabulary words when you come across a word you do not know on the toefl ibt exam vocabulary list quickly write it down onto a 3 x 5 inch note card use one word on each note card on the back of the note card write down the meaning of the word and any other information i e

how to master english words 10 steps with pictures wikihow - Jul 14 2023

web sep 9 2023 mastering english words is the first step to mastering english communication skills this article provides guidance for those who speak english as a second language and native english speakers who wish to increase their vocabulary skills read on from step one below for how to master english words

[how to memorize vocab words and build your vocabulary](#) - Jun 13 2023

web here are five tips for how to memorize your vocabulary list tip 1 make a flashcard for each word as soon as you have been exposed to a new word or term whether via a textbook or in conversation with someone make a flashcard for it

[5 essential strategies to teach vocabulary the flocaulary blog](#) - Jul 02 2022

web nov 4 2022 mastering vocabulary means using and applying words in brand new and creative contexts for these reasons and more studies show that vocabulary is a crucial indicator of students success in school on tests and in life can flocaulary help with teaching vocabulary

best ways to build vocabulary merriam webster - Oct 05 2022

web start with 8 grammar terms you used to know but forgot to get the lowdown on subjects and predicates nouns and verb pronouns objects prepositions gerunds and participles then check out 8 more grammar terms you used to know special verb edition to master verbs in all their forms and tenses

building academic vocabulary marzano s 6 step process teachthought - Dec 07 2022

web dec 30 2012 in building background knowledge bob marzano laid out a six step process for building academic vocabulary it includes direct instruction linguistic and nonlinguistic definitions recording word learning in a notebook or journal talking about words and playing with words

instructions for mastering vocabulary words pdf4pro com - Feb 26 2022

web there are 1 700 words in this list divided into two categories the first category is 200 words of intermediate level reading the second is 1 500 words of advanced level reading instructions for mastering vocabulary words when you come across a word you do not know on the toefl ibt exam vocabulary list quickly write it down onto a 3 x 5 inch

mastering vocabulary a comprehensive guide for teachers - Aug 03 2022

web this resource is designed specifically for educators seeking innovative and effective ways to bolster vocabulary instruction we delve into the intricate world of words their connotations classifications and how students can best acquire new vocabulary

[undertaking letter format 3 samples example email template](#) - Oct 06 2023

web undertaking letter format an undertaking letter is a formal letter in which an individual or organization pledges to take responsibility for a particular task or obligation the letter serves as a legal agreement between two parties and outlines the specific terms and conditions of the agreement

[undertaking letter format samples and how to write an undertaking](#) - Sep 05 2023

web mar 15 2023 answer the following are the guidelines for writing an undertaking letter include the exact terms of conditions and any other relevant information ensure that the letter is drafted in a formal tone the matter must be unambiguous and short ensure that the letter is signed in good faith proofread the letter before sending it in question 3

how to write undertaking letter letters easy - Jun 02 2023

web your name your address city state zip code date recipient s name company name address city state zip code dear recipient s name i your name am writing this letter to provide you with an undertaking in

[sample undertaking letter for worker documentshub com](#) - May 01 2023

web mar 29 2018 sample undertaking letter for worker undertaking letter format by employee warning letters are part and parcel of almost every working organization they are served to keep the faculty on track and remind them of their job duties and entitlements

undertaking letter format by employee documents hub - Jul 03 2023

web aug 10 2015 sample undertaking letter format by employee teacher on serving the organization after completing free diploma course hi tech training from office or school this type of format application is being used by offices multinational companies banks call centers and beverage companies schools colleges academies and universities

undertaking from employee formatsplanet - Aug 04 2023

web feb 6 2016 undertaking i mr ms son daughter of sh resident of pin and presently working as designation in department at location in company corporate office address

[4 ways to write a letter of undertaking wikihow](#) - Mar 31 2023

web mar 24 2023 method 1 including important information download article 1 cover any dates and monetary agreements you came to with the other party for example if you are going to be hired at a rate of 23 hour for 40 hours week starting 15 august 2019 for 6 weeks clearly state those terms

bilim ve sanat vakfı bisav - Aug 24 2022

web enstitünün iki temel işlevi söz konusu türkiye yi kültürel etkinliklerle tanıtmak ve türkçeyi öğretmek türkçeyi dünya standartlarına uygun bir şekilde öğretmek bu amaçla her topluma uygun farklı materyaller üretmek buna uygun donanımlı okutman kadrosu yetiştirmek gerekiyor ki henüz bu noktaya ulaşılmış değil

[denknahrung für höchstleistungen in der schule im studium im](#) - Oct 06 2023

web denknahrung für höchstleistungen in der schule im studium im beruf und im alter graff philipp homer isbn 9781536825244 kostenloser versand für alle bücher mit versand und verkauf duch amazon

yÖk diploma denkliği İçin gerekli belgeler ve hazırlanma süreci - Mar 19 2022

web feb 14 2019 bu belgelerin eksiksiz halde toparlanması denklik işlemlerinin için oldukça önemlidir yÖk diploma denkliği için gerekli belgeler ve hazırlanma süreci boyunca sizlerden istenilen her türlü belge ya da durumu eksiksiz yerine getirmelisiniz sizlerden istenilen belgelerin noter onayı gerekiyorsa yaptırmalısınız

İşte uluslararası denkliği bulunan diplomalar ve özellikleri - May 21 2022

web jul 13 2016 İşte uluslararası denkliği bulunan diplomalar ve özellikleri abitur alman lise bitirme sınavı olarak da nitelendirilen abitur diploması öğrencilere yalnızca almanya da değil birçok

denknahrung fur hochleistungen in der schule im - Jan 29 2023

web *denknahrung fur hochleistungen in der schule im gebet der schule was der schule ist auch ein votum ber die neugestaltung des volksschulwesens von einem schulinspector h b sep 14 2022 verhandeligen der koninklijke nederlandse akademie van wetenschappen afd letterkunde dec 05 2021*

pdf denknahrung für höchleistungen in der schule im studium im - Aug 04 2023

web jun 10 2020 *denknahrung für höchleistungen in der schule im studium im beruf und im alter originaltitel denknahrung für höchleistungen in der schule im studium im beruf und im alter denknahrung für höchleistungen in der schule im studium im beruf und im alter preisbuch eur 6 99 free denknahrung für höchleistungen in*

denknahrung für höchleistungen in der schule im studium im - Jun 02 2023

web aug 1 2016 *denknahrung für höchleistungen in der schule im studium im beruf und im alter german edition graff philipp homer on amazon com free shipping on qualifying offers denknahrung für höchleistungen in der schule im studium im beruf und im alter german edition*

diploma eki nin yükseköğrem kurumlarına katkısı İstanbul - Dec 28 2022

web diploma eki de uluslararası saydamlığı pekişirmeyi hedefleyen ve elde edilmiş ve becerilerin ifade edildiği diploma derece serfika gibi belgelerin akademik ve meslekî ifadesini sağlamaya yönelik bir yükseköğrem diplomasına ek olarak orijinal diplomada adı ve kimliği belirlen kişinin takip edip

denknahrung fur hochleistungen in der schule im download - Jul 03 2023

web 2 *denknahrung fur hochleistungen in der schule im 2023 09 29 and minority education iume teachers college columbia university creating home sanctuaries with feng shui broadway a collection of limericks each of which describes an animal whose name begins with a different letter of the alphabet criminal lawcards edward elgar*

denknahrung fur hochleistungen in der schule im pdf - Feb 15 2022

web 4 *denknahrung fur hochleistungen in der schule im 2022 10 13 engaged here the tension between the popular and scholarly that is inherent in any critical examination of a literary type along the way unraveling the mystery of the alluring enigmatic private investigator crime uncovered private investigator will be a handy companion for any*

9781536825244 denknahrung für höchstleistungen in der schule im - Mar 31 2023

web denknahrung für höchstleistungen in der schule im studium im beruf und im alter find all books from graff philipp homer at find more books com you can find used antique and new books compare results and immediately purchase your selection at the best price 9781536825244

denknahrung für höchstleistungen in der schule im studium im - Oct 26 2022

web bücher bestseller denknahrung für höchstleistungen in der schule im studium im beruf und im alter deutsche bücher pdf denknahrung für h

denknahrung für hochstleistungen in der schule im philipp graff - Sep 24 2022

web as this denknahrung für hochstleistungen in der schule im it ends in the works instinctive one of the favored book denknahrung für hochstleistungen in der schule im collections that we have this is why you remain in the best website to look the incredible ebook to have denknahrung philipp graff 2016 08 01 mit denknahrung zu

denknahrung für hochstleistungen in der schule im 2022 - Apr 19 2022

web denknahrung für hochstleistungen in der schule im 2022 12 02 dudley cuevas denknahrung createspace independent publishing platform mit denknahrung zu geistigen höhenflügen jeder einzelne möchte nicht nur geistig fit sein sondern sein gehirn auch optimal für die herausforderungen des täglichen lebens rüsten

denknahrung für höchstleistungen in der schule im studium im - Jun 21 2022

web jun 19 2023 digital resources find digital datasheets resources 4c9a8e1 denknahrung für hochstleistungen in der schule im you could swiftly retrieve this denknahrung für höchstleistungen in der schule im studium im beruf und im alter by philipp homer graff after receiving discount

denknahrung für höchstleistungen in der schule im abebooks - Feb 27 2023

web denknahrung für höchstleistungen in der schule im studium im beruf und im alter von graff philipp homer bei abebooks de isbn 10 1536825247 isbn 13 9781536825244 createspace independent publishing platform 2016 softcover

denknahrung für hochstleistungen in der schule im pdf - Jul 23 2022

web 2 denknahrung für hochstleistungen in der schule im 2022 09 09 appear at the end of each chapter this authoritative clinical guide is an indispensable companion for on call radiologists or radiology residents it is also a valuable tool for exam preparation critical care radiology is a strong product radiologic technology august 2011

denknahrung für höchstleistungen in der schule im studium im - May 01 2023

web jul 3 2018 denknahrung für höchstleistungen in der schule im studium im beruf und im alter ebook graff philipp homer amazon de books

denknahrung für höchstleistungen in der schule im studium im - Sep 05 2023

web ein immer größer werdender wissenschaftlicher konsens dass die im buch vorgestellten lebensmittel wirkungsvoll sind
schafft sicherheit und räumt mit ernährungsmythen auf erleben sie am eigenen

denknahrung fur hochleistungen in der schule im pdf - Nov 26 2022

web denknahrung fur hochleistungen in der schule im 3 3 soviet union the two weapons were last seen in packing crates to
be shipped to an american company called belden electronics gideon has been unable to locate this firm and now he is left
with only one possible lead the lawyer who incorporated the company jocelyn cole fraught with