

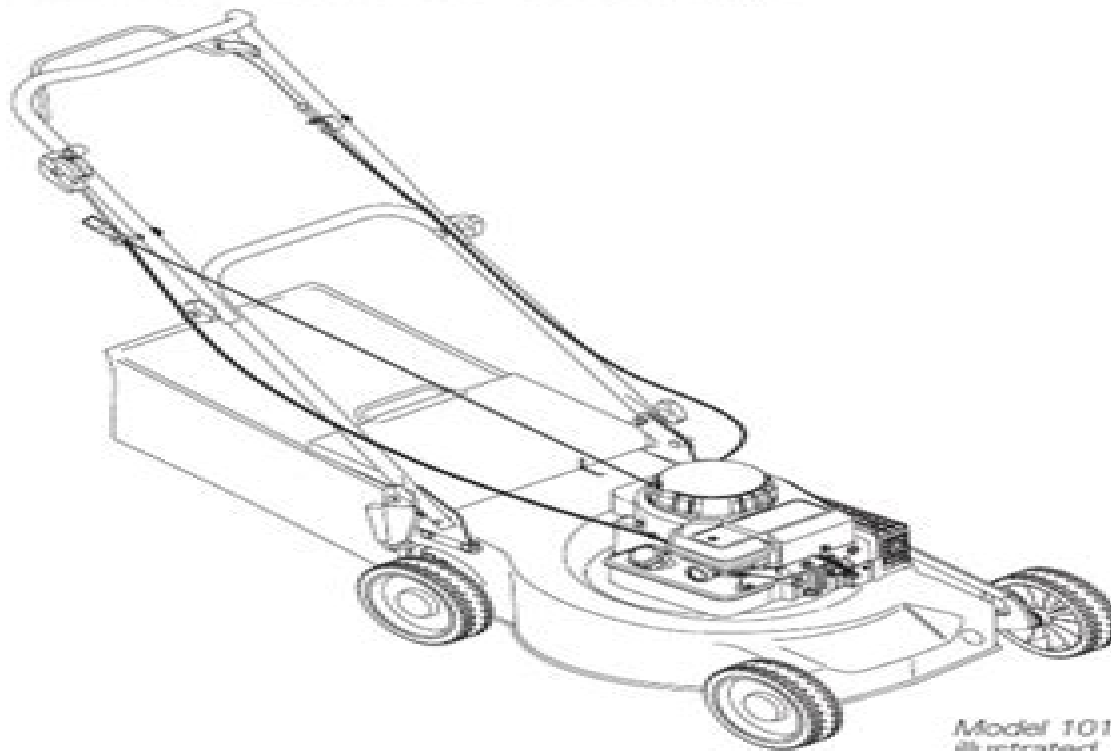


POPE

Lawn Mower

Model Numbers:

101PM2375	Serial No. 8400001 and up
101PM45	Serial No. 54500001 and up
101SPM45	Serial No. 55500001 and up
101PM450	Serial No. 94500001 and up



*Model 101PM2375
illustrated*

Operator's Manual

Pope Lawn Mower Maintenance Manual

R Bogdan



Pope Lawn Mower Maintenance Manual:

Thank you entirely much for downloading **Pope Lawn Mower Maintenance Manual**. Most likely you have knowledge that, people have look numerous time for their favorite books subsequently this Pope Lawn Mower Maintenance Manual, but stop stirring in harmful downloads.

Rather than enjoying a fine PDF as soon as a cup of coffee in the afternoon, then again they juggled subsequently some harmful virus inside their computer. **Pope Lawn Mower Maintenance Manual** is straightforward in our digital library an online entrance to it is set as public thus you can download it instantly. Our digital library saves in multiple countries, allowing you to get the most less latency times to download any of our books when this one. Merely said, the Pope Lawn Mower Maintenance Manual is universally compatible past any devices to read.

https://crm.avenza.com/data/Resources/index.jsp/physical_sciences_p2_grade_1dbe_november_2013.pdf

Table of Contents Pope Lawn Mower Maintenance Manual

1. Understanding the eBook Pope Lawn Mower Maintenance Manual
 - The Rise of Digital Reading Pope Lawn Mower Maintenance Manual
 - Advantages of eBooks Over Traditional Books
2. Identifying Pope Lawn Mower Maintenance Manual
 - Exploring Different Genres
 - Considering Fiction vs. Non-Fiction
 - Determining Your Reading Goals
3. Choosing the Right eBook Platform
 - Popular eBook Platforms
 - Features to Look for in an Pope Lawn Mower Maintenance Manual
 - User-Friendly Interface
4. Exploring eBook Recommendations from Pope Lawn Mower Maintenance Manual
 - Personalized Recommendations
 - Pope Lawn Mower Maintenance Manual User Reviews and Ratings

- Pope Lawn Mower Maintenance Manual and Bestseller Lists
- 5. Accessing Pope Lawn Mower Maintenance Manual Free and Paid eBooks
 - Pope Lawn Mower Maintenance Manual Public Domain eBooks
 - Pope Lawn Mower Maintenance Manual eBook Subscription Services
 - Pope Lawn Mower Maintenance Manual Budget-Friendly Options
- 6. Navigating Pope Lawn Mower Maintenance Manual eBook Formats
 - ePub, PDF, MOBI, and More
 - Pope Lawn Mower Maintenance Manual Compatibility with Devices
 - Pope Lawn Mower Maintenance Manual Enhanced eBook Features
- 7. Enhancing Your Reading Experience
 - Adjustable Fonts and Text Sizes of Pope Lawn Mower Maintenance Manual
 - Highlighting and Note-Taking Pope Lawn Mower Maintenance Manual
 - Interactive Elements Pope Lawn Mower Maintenance Manual
- 8. Staying Engaged with Pope Lawn Mower Maintenance Manual
 - Joining Online Reading Communities
 - Participating in Virtual Book Clubs
 - Following Authors and Publishers Pope Lawn Mower Maintenance Manual
- 9. Balancing eBooks and Physical Books Pope Lawn Mower Maintenance Manual
 - Benefits of a Digital Library
 - Creating a Diverse Reading Collection Pope Lawn Mower Maintenance Manual
- 10. Overcoming Reading Challenges
 - Dealing with Digital Eye Strain
 - Minimizing Distractions
 - Managing Screen Time
- 11. Cultivating a Reading Routine Pope Lawn Mower Maintenance Manual
 - Setting Reading Goals Pope Lawn Mower Maintenance Manual
 - Carving Out Dedicated Reading Time
- 12. Sourcing Reliable Information of Pope Lawn Mower Maintenance Manual
 - Fact-Checking eBook Content of Pope Lawn Mower Maintenance Manual
 - Distinguishing Credible Sources

13. Promoting Lifelong Learning
 - Utilizing eBooks for Skill Development
 - Exploring Educational eBooks
14. Embracing eBook Trends
 - Integration of Multimedia Elements
 - Interactive and Gamified eBooks

Pope Lawn Mower Maintenance Manual Introduction

In the digital age, access to information has become easier than ever before. The ability to download Pope Lawn Mower Maintenance Manual has revolutionized the way we consume written content. Whether you are a student looking for course material, an avid reader searching for your next favorite book, or a professional seeking research papers, the option to download Pope Lawn Mower Maintenance Manual has opened up a world of possibilities. Downloading Pope Lawn Mower Maintenance Manual provides numerous advantages over physical copies of books and documents. Firstly, it is incredibly convenient. Gone are the days of carrying around heavy textbooks or bulky folders filled with papers. With the click of a button, you can gain immediate access to valuable resources on any device. This convenience allows for efficient studying, researching, and reading on the go. Moreover, the cost-effective nature of downloading Pope Lawn Mower Maintenance Manual has democratized knowledge. Traditional books and academic journals can be expensive, making it difficult for individuals with limited financial resources to access information. By offering free PDF downloads, publishers and authors are enabling a wider audience to benefit from their work. This inclusivity promotes equal opportunities for learning and personal growth. There are numerous websites and platforms where individuals can download Pope Lawn Mower Maintenance Manual. These websites range from academic databases offering research papers and journals to online libraries with an expansive collection of books from various genres. Many authors and publishers also upload their work to specific websites, granting readers access to their content without any charge. These platforms not only provide access to existing literature but also serve as an excellent platform for undiscovered authors to share their work with the world. However, it is essential to be cautious while downloading Pope Lawn Mower Maintenance Manual. Some websites may offer pirated or illegally obtained copies of copyrighted material. Engaging in such activities not only violates copyright laws but also undermines the efforts of authors, publishers, and researchers. To ensure ethical downloading, it is advisable to utilize reputable websites that prioritize the legal distribution of content. When downloading Pope Lawn Mower Maintenance Manual, users should also consider the potential security risks associated with online platforms. Malicious actors may exploit vulnerabilities in unprotected websites to distribute malware or steal personal information. To protect themselves,

individuals should ensure their devices have reliable antivirus software installed and validate the legitimacy of the websites they are downloading from. In conclusion, the ability to download Pope Lawn Mower Maintenance Manual has transformed the way we access information. With the convenience, cost-effectiveness, and accessibility it offers, free PDF downloads have become a popular choice for students, researchers, and book lovers worldwide. However, it is crucial to engage in ethical downloading practices and prioritize personal security when utilizing online platforms. By doing so, individuals can make the most of the vast array of free PDF resources available and embark on a journey of continuous learning and intellectual growth.

FAQs About Pope Lawn Mower Maintenance Manual Books

1. Where can I buy Pope Lawn Mower Maintenance Manual books? Bookstores: Physical bookstores like Barnes & Noble, Waterstones, and independent local stores. Online Retailers: Amazon, Book Depository, and various online bookstores offer a wide range of books in physical and digital formats.
2. What are the different book formats available? Hardcover: Sturdy and durable, usually more expensive. Paperback: Cheaper, lighter, and more portable than hardcovers. E-books: Digital books available for e-readers like Kindle or software like Apple Books, Kindle, and Google Play Books.
3. How do I choose a Pope Lawn Mower Maintenance Manual book to read? Genres: Consider the genre you enjoy (fiction, non-fiction, mystery, sci-fi, etc.). Recommendations: Ask friends, join book clubs, or explore online reviews and recommendations. Author: If you like a particular author, you might enjoy more of their work.
4. How do I take care of Pope Lawn Mower Maintenance Manual books? Storage: Keep them away from direct sunlight and in a dry environment. Handling: Avoid folding pages, use bookmarks, and handle them with clean hands. Cleaning: Gently dust the covers and pages occasionally.
5. Can I borrow books without buying them? Public Libraries: Local libraries offer a wide range of books for borrowing. Book Swaps: Community book exchanges or online platforms where people exchange books.
6. How can I track my reading progress or manage my book collection? Book Tracking Apps: Goodreads, LibraryThing, and Book Catalogue are popular apps for tracking your reading progress and managing book collections. Spreadsheets: You can create your own spreadsheet to track books read, ratings, and other details.
7. What are Pope Lawn Mower Maintenance Manual audiobooks, and where can I find them? Audiobooks: Audio recordings of books, perfect for listening while commuting or multitasking. Platforms: Audible, LibriVox, and Google

Play Books offer a wide selection of audiobooks.

8. How do I support authors or the book industry? Buy Books: Purchase books from authors or independent bookstores. Reviews: Leave reviews on platforms like Goodreads or Amazon. Promotion: Share your favorite books on social media or recommend them to friends.
9. Are there book clubs or reading communities I can join? Local Clubs: Check for local book clubs in libraries or community centers. Online Communities: Platforms like Goodreads have virtual book clubs and discussion groups.
10. Can I read Pope Lawn Mower Maintenance Manual books for free? Public Domain Books: Many classic books are available for free as they're in the public domain. Free E-books: Some websites offer free e-books legally, like Project Gutenberg or Open Library.

Find Pope Lawn Mower Maintenance Manual :

physical sciences p2 grade 1dbe november 2013

[physical sciences paper 1 2014](#)

physical science review packet

physical science pgrade 1november2014

physical sciences grade 12 march paper 2014

physical science study guide answer

physics 2014november exemplar for grade10

[physical science questin paper garde paper1](#)

[physical sciences grade paper june](#)

physical sciences paper grade 12

[physics for scientists engineers knight 2nd edition](#)

physical scirnce reading and study workbook chapter 6 wordwise

[physics 30 kennedy oswald](#)

[physics chapter 20 static electricity answers](#)

physics 9702 june 2013 paper 22

Pope Lawn Mower Maintenance Manual :

ident definition meaning merriam webster - Mar 02 2022

web ident merriam webster com dictionary merriam webster merriam webster com dictionary ident accessed 19 oct 2023

ident di ş sađliđı merkezi yorumlar fotođraflar telefon - Aug 19 2023

web ident di ş sađliđı merkezi bařakřehir metrokent metro İstasyonuna yakın fotođraflar ve 19 yorum iin nicelocal biz tr web sitesini ziyaret edin İletişim bilgileri İstanbul

İdent di ş kli ni ği 0545 950 82 esenyurt İstanbul - May 16 2023

web İdent DİŞ KLİNİĐİ İstanbul esenyurt řu an kapalı telefon numarası 0545 950 82 faks numarası cep telefonu numarası 05 müşteri hizmetleri telefon numarası 444 e posta adresi İnternet adresi iyifirma com ident dis klinigi esenyurt

ident cambridge İngilizce sözlüđü ndeki anlamı - Oct 09 2022

web ident anlam tanım ident nedir 1 a design or symbol or a short piece of video used by a company to advertise its products or daha fazlasını öğren

ident dental clinic istanbul facebook - Mar 14 2023

web ident dental clinic istanbul turkey 3 271 likes 46 talking about this taste life again □

ident definition of ident by the free dictionary - May 04 2022

web define ident ident synonyms ident pronounciation ident translation english dictionary definition of ident n a short visual image employed between television programmes that works as a logo to locate the viewer to the channel collins english dictionary complete

ident clinics dental treatment in turkey dental clinic istanbul - Jun 17 2023

web aug 9 2022 ident clinics franchise ortaklık başvurusu galeri resim videolar hakkımızda İletişim klinik turu klinik 360 randevu al

İd nedir İd ne demek nedir com - Aug 07 2022

web İd zevk temelli bir istekler ve aşırı ısrarcı temel enerjinin çıkış noktasıdır temel ve en ilkel benliktir ana kaynađı cinsellik açlık gibi ihtiyaların en bencilce doyurulmasıdır ego ise idin bu isteklerini gerçeklikle karşılayan kısımdır Çeşitli savunma mekanizmaları ile idi dengeler İd ve süperegö

□□□□□ □□ □□□□□ □□□□□ [ident istanbul facebook](#) - Jan 12 2023

web □□□□□ □□ □□□□□ □□□□□ ident istanbul turkey 3 666 likes 80 talking about this taste life again □

İř arama indeed - Apr 15 2023

web indeed i kullanarak online olarak yayınlanan milyonlarca iş iinden arama yapabilirsiniz kariyerinizde sonraki adımı atabilmeniz iin iş arama cv řirket yorumları araçları ve daha fazlasıyla her adımda sizinleyiz

we provide identity related services to protect american lives identogo - Apr 03 2022

web we can help you find what you are looking for identogo by idemia provides a wide range of identity related services with

our primary service being the secure capture and transmission of electronic fingerprints for employment certification licensing and other verification purposes in professional and convenient locations

İdent dış polikliniği istanbul facebook - Sep 08 2022

web İdent dış polikliniği istanbul turkey 544 likes [İdent dış polikliniği istanbul](#)

[ident turkeyy ident clinics istanbul 2023 dentists10 com](#) - Feb 13 2023

web İmplant tedavisinde en kaliteli ürünleri en uygun fiyata sizlere sunuyoruz kalite için ident 06 12 2022 Ücretsiz muayene için şimdi randevu almanın tam zamanı

the automated biometric identification system ident thales - Jul 06 2022

web jan 19 2021 discover ident the dhs wide system for storage matching processing of biometric and biographic data built around thales cogent s afis technology the automated biometric identification system ident

ident english meaning cambridge dictionary - Jul 18 2023

web mainly uk uk 'ar dent us 'ar dent add to word list a design or symbol or a short piece of video used by a company to advertise its products or by a tv channel to tell people

ident ne demek turkce turkce Çeviri online dictionary - Jun 05 2022

web ingilizce turkce dilinde ident bağlamında çeviriler ident chip verified sir kimlik çipi onaylandı efendim [tureng ident türkçe İngilizce sözlük](#) - Sep 20 2023

web kelime ve terimleri çevir ve farklı aksanlarda sesli dinleme ident tanıtmak ident dialect gayretli ident açıklamak ne demek türkçe İngilizce almanca İngilizce

[İdent genel saĞlık hizmetleri ticaret lİmİted Şİrketİ](#) - Dec 11 2022

web balmumcu mah barbaros bulvari İba bloklari sİt no 30 d 4 5 beŞİktaŞ beŞİktaŞ İstanbul tÜrkiye

ident wikipedia - Nov 10 2022

web ident look up ident in wiktionary the free dictionary ident or ident may refer to station identification in broadcasting ident protocol an internet protocol that helps identify the user of a particular tcp connection ident aviation an identification function in

[the spotlight guide to idents](#) - Feb 01 2022

web everything you need to know about filming an ident and full length shots an ident sometimes called a slate is a purely technical part of the audition process in which you state your name your agent or that you re self represented and occasionally a

die französische gastronomie von a bis z bilingue français - Aug 31 2022

web dictionnaire die französische gastronomie von a bis z welche fachbegriffe die gastronomie täglich benutzt trekkingrad frankreich voralpen via

die französische gastronomie von a bis z bilingue book - Feb 05 2023

web französische gastronomie von a bis z bilingue a literary masterpiece that delves deep in to the significance of words and their impact on our lives written by a renowned

die französische gastronomie von a bis z bilingue michael rowe - Jun 28 2022

web may 9 2023 die französische gastronomie von a bis z bilingue right here we have countless books die französische gastronomie von a bis z bilingue and collections

die französische gastronomie von a bis z bilingue download - May 08 2023

web gastronomie und kochkunst im fünfsprachigen vergleich die saar 1945 1955 la sarre 1945 1955 die französische gastronomie von a bis z bilingue downloaded from

die französische gastronomie von a bis z bilingue wrbb neu - Jul 30 2022

web die französische gastronomie von a bis z bilingue 1 die französische gastronomie von a bis z bilingue when somebody should go to the book stores search initiation by

die französische gastronomie von a bis z bilingue pdf kerstin - Nov 02 2022

web jul 10 2023 die französische gastronomie von a bis z bilingue pdf this die französische gastronomie von a bis z bilingue pdf as one of the most in force

gastronomie leo Übersetzung im französisch deutsch - Feb 22 2022

web lernen sie die Übersetzung für gastronomie in leos französisch deutsch wörterbuch mit flexionstabellen der verschiedenen fälle und zeiten aussprache und

die französische gastronomie von a bis z bilingue français - Mar 06 2023

web noté 5 retrouvez die französische gastronomie von a bis z bilingue français allemand et des millions de livres en stock sur amazon fr achetez neuf ou d occasion

die französische gastronomie von a bis z bilingue pdf - May 28 2022

web jun 13 2023 die französische gastronomie von a bis z bilingue 2 10 downloaded from uniport edu ng on june 13 2023 by guest empirische literatur vorhanden ist um die

französische küche wikipedia - Dec 03 2022

web französische küche mit französischer küche assoziiert baguette rotwein und französischer käse die französische küche französisch cuisine française ist die

die französische gastronomie von a bis z bilingue français - Nov 21 2021

web die französische gastronomie von a bis z bilingue français allemand by geneviève de temmerman march 25th 2020 die französische gastronomie von a bis z

read free die französische gastronomie von a bis z bilingue - Oct 01 2022

web die französische gastronomie von a bis z bilingue is easy to use in our digital library an online right of entry to it is set as public appropriately you can download it instantly

die französische gastronomie von a bis z bilingue suède - Aug 11 2023

web getting the books die französische gastronomie von a bis z bilingue now is not type of inspiring means you could not without help going once books buildup or library or

die französische gastronomie von a bis z bilingue uniport edu - Dec 23 2021

web apr 13 2023 die französische gastronomie von a bis z bilingue 1 11 downloaded from uniport edu ng on april 13 2023

by guest die französische gastronomie von a bis z

french cuisine wikipedia - Jan 04 2023

web a nouvelle cuisine presentation french haute cuisine presentation french wines are usually made to accompany french cuisine french cuisine french cuisine française is the

die französische gastronomie von a bis z bilingue pdf - Jun 09 2023

web die französische gastronomie von a bis z bilingue management in der hotellerie und gastronomie jul 17 2022 sie wünschen sich zufriedene gäste und wirtschaftlichen

französische gastronomie a z abebooks - Jul 10 2023

web die französische gastronomie von a bis z bilingue français allemand by geneviève de temmerman and a great selection of related books art and collectibles available now at

die französische gastronomie von a bis z bpi - Sep 12 2023

web die französische gastronomie von a bis z dictionnaire gastronomique français allemand geneviève de temmerman ean13 9782950331762 bpi best practice inside

ebook die französische gastronomie von a bis z bilingue - Apr 26 2022

web die französische gastronomie von a bis z bilingue tabularasa dec 31 2022 das lexikon der mentaltechniken mar 29 2020 sie halten die weltweit größte sammlung

gastronomie Übersetzung französisch deutsch - Jan 24 2022

web kennst du Übersetzungen die noch nicht in diesem wörterbuch enthalten sind hier kannst du sie vorschlagen bitte immer nur genau eine deutsch französisch Übersetzung

die französische gastronomie von a bis z bilingue - Oct 13 2023

web die französische gastronomie von a bis z bilingue die französische gastronomie von a bis z bilingue 2 downloaded from nysm pfi org on 2021 07 30 by guest belgium

die französische gastronomie von a bis z bilingue full pdf - Mar 26 2022

web die französische gastronomie von a bis z bilingue neues archiv der gesellschaft für Ältere deutsche geschichtskunde zur beförderung einer gesamtausgabe der

die französische gastronomie von a bis z bilingue 2022 - Apr 07 2023

web die französische gastronomie von a bis z bilingue downloaded from dotnbm com by guest oneill jordyn die internationale gastronomie bookrix seit der

taschenlehrbuch biologie botanik von katharina munk - May 17 2023

web taschenlehrbuch biologie botanik katharina munk buch taschenbuch 39 99 inkl gesetzl mwst versandkostenfrei

taschenbuch 39 99 ebook ebook 39 99 artikel liefern lassen sofort lieferbar geringer bestand in den warenkorb click collect verfügbarkeit in ihrer buchhandlung prüfen sie haben noch keine buchhandlung

taschenlehrbuch biologie botanik 9783131448514 - Dec 12 2022

web taschenlehrbuch biologie botanik on amazon com au free shipping on eligible orders taschenlehrbuch biologie botanik *botanik taschenlehrbuch biologie uniport edu ng* - Mar 03 2022

web mar 30 2023 botanik taschenlehrbuch biologie 1 10 downloaded from uniport edu ng on march 30 2023 by guest

botanik taschenlehrbuch biologie if you ally compulsion such a referred botanik taschenlehrbuch biologie book that will find the money for you worth get the utterly best seller from us currently from several preferred authors if you

download pdf taschenlehrbuch biologie botanik pdf - Sep 09 2022

web download pdf taschenlehrbuch biologie botanik pdf kk09fpsqkp00 contact 1243 schamberger freeway apt 502port orvilleville on h8j 6m9 719 696 2375 x665

taschenlehrbuch botanik georg thieme verlag biologie - Aug 20 2023

web entwicklungsbiologie photosynthese stoffwechsel wasser und mineralstoffhaushalt werden verständlich dargestellt ebenso der sekundärstoffwechsel und seine ökologische funktion die vielfältigen anpassungsmechanismen der pflanzen und die wichtigsten bereiche der angewandten botanik

taschenlehrbuch biologie botanik paperback 19 nov 2008 - Jan 13 2023

web select the department you want to search in

taschenlehrbuch biologie botanik by katharina munk alibris - Jun 06 2022

web buy taschenlehrbuch biologie botanik by katharina munk online at alibris we have new and used copies available in 0 edition starting at 50 32 shop now

botanik taschenlehrbuch biologie thegreenroute com - Feb 02 2022

web taschenlehrbuch biologie botanik pharmazeutische biologie pteridology in perspective encyclopedia of biology krypto gesamt katalog nr 4 botanik biologie biochemische und physiologische versuche mit pflanzen the perfect slime die zuckerrübe im klimawandel energiespeicher bedarf technologien integration handbook of energy

taschenlehrbuch biologie botanik in the us for sale online - May 05 2022

web find many great new used options and get the best deals for taschenlehrbuch biologie botanik in the us at the best online prices at ebay free shipping for many products

taschenlehrbuch biologie by wolfgang bilger overdrive - Apr 16 2023

web nov 19 2008 der perfekte einstieg in die botanik entwicklungsbiologie photosynthese stoffwechsel wasser und mineralstoffhaushalt werden verständlich dargestellt ebenso der sekundärstoffwechsel und seine ökologische funktion die vielfältigen anpassungsmechanismen der pflanzen und die wichtigsten bereiche der angewandten

taschenlehrbuch biologie botanik von katharina munk - Mar 15 2023

web taschenlehrbuch biologie botanik katharina munk buch taschenbuch 41 95 inkl gesetzl mwst versandkostenfrei taschenbuch 41 95 ebook ebook 39 99 artikel liefern lassen versandfertig innerhalb 48 stunden in den warenkorb click collect verfügbarkeit in ihrer buchhandlung prüfen sie haben noch keine buchhandlung

taschenlehrbuch biologie botanik 9783131448514 thieme - Sep 21 2023

web der perfekte einstieg in die botanik entwicklungsbiologie photosynthese stoffwechsel wasser und mineralstoffhaushalt werden verständlich dargestellt ebenso der sekundärstoffwechsel und seine ökologische funktion die vielfältigen anpassungsmechanismen der pflanzen und die wichtigsten bereiche der angewandten

amazon in buy taschenlehrbuch biologie botanik book - Aug 08 2022

web amazon in buy taschenlehrbuch biologie botanik book online at best prices in india on amazon in read taschenlehrbuch biologie botanik book reviews author details and more at amazon in free delivery on qualified orders

taschenlehrbuch biologie botanik katharina munk - Apr 04 2022

web find many great new used options and get the best deals for taschenlehrbuch biologie botanik katharina munk 9783131448514 at the best online prices at ebay free shipping for many products

taschenlehrbuch biologie botanik munk katharina - Nov 11 2022

web der perfekte einstieg in die botanik entwicklungsbiologie photosynthese stoffwechsel wasser und mineralstoffhaushalt werden verständlich dargestellt ebenso der sekundärstoffwechsel und seine ökologische funktion die vielfältigen anpassungsmechanismen der pflanzen und die wichtigsten bereiche der angewandten

taschenlehrbuch botanik literatur georg thieme verlag - Jun 18 2023

web taschenlehrbuch botanik literatur georg thieme verlag biologie weiterführende literatur allgemeine literatur zum band botanik wagenitz g 2003 wörterbuch der botanik 2 auflage spektrum akademischer verlag heidelberg das beste buch zur bedeutung botanischer fachbegriffe

[taschenlehrbuch biologie botanik amazon de](#) - Jul 19 2023

web dank der kürze der einfachen darstellung und des sinnvollen aufbaus eignet sich das taschenlehrbuch biologie botanik für jeden interessierten laien ebenso wie für den fachfremden wissenschaftler und den studenten der biologie der sich nicht schwerpunktmäßig mit botanik beschäftigen will

taschenlehrbuch biologie botanik bei hugendubel - Feb 14 2023

web taschenlehrbuch biologie botanik buch kartoniert bei hugendubel de online bestellen oder in der filiale abholen meine filiale flensburg holm 37 merktzettel anmelden mein konto anmelden neues konto einrichten meine ebooks abo verwaltung meine hörbuch downloads mein kundenkonto meine kundenkarte bestellübersicht persönliche

amazon com taschenlehrbuch biologie botanik - Oct 10 2022

web nov 19 2008 amazon com taschenlehrbuch biologie botanik 9783131448514 books skip to main content us delivering to lebanon 66952 choose location for most accurate options books select the department you want to search in search amazon en hello sign in account lists

[taschenlehrbuch biologie botanik by katharina munk](#) - Jul 07 2022

web find many great new used options and get the best deals for taschenlehrbuch biologie botanik by katharina munk 9783131448514 at the best online prices at ebay free delivery for many products