

## Bookmarks


 USERS  
 HANDBOOK

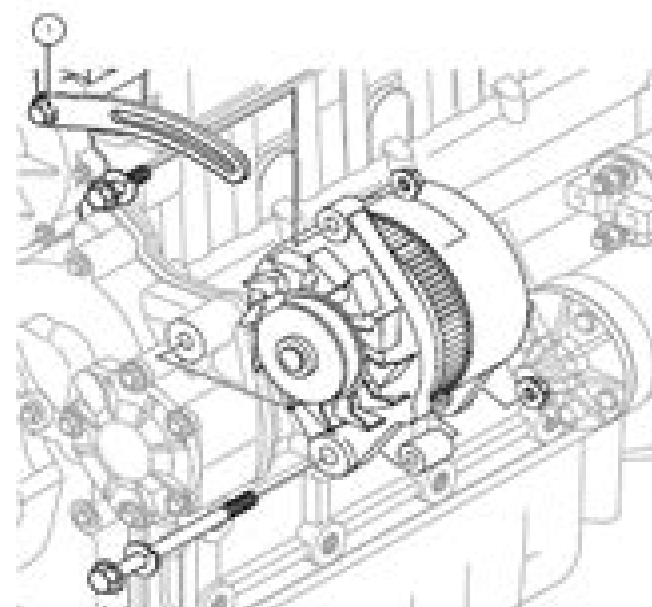
- General information
- Engine Views
- Operation Instructions
- Preventive Maintenance
- Engine Fluids
- Fault Diagnosis
- Engine Preservation
- Parts and Service

## Section 23

## Electrical Equipment

700 Series

<b>Operation:</b> Alternator - to remove and to fit		<b>23.02</b>
<b>Recommended torques:</b>		
Engine type	400	400 & 400A
Bolt size	M8	M8
Oil	24	24
Oil adjustment	40	40
Oil	40	40
<b>Service operations:</b>		
1. Remove drive belt. . . . . 23.01		
<b>Special notes</b>		
<p><b>Caution:</b> Do not cover the alternator (20) or the alternator housing to which the belt must be pushed and result in a leakage of coolant.</p> <p><b>Note:</b> Ensure that any electrical and electronic circuits are fitted in their correct positions and that the alternator pulley is aligned to the mechanical pulley within 0.2 mm (0.008 in).</p>		



2000

Perkins Engines

© Perkins (Europe) Limited, all rights reserved

# Perkins 700 Series Workshop Manual

**SJ Ball**



**Perkins 700 Series Workshop Manual:**

## **Perkins 700 Series Workshop Manual** Book Review: Unveiling the Magic of Language

In a digital era where connections and knowledge reign supreme, the enchanting power of language has become more apparent than ever. Its power to stir emotions, provoke thought, and instigate transformation is really remarkable. This extraordinary book, aptly titled "**Perkins 700 Series Workshop Manual**," written by a very acclaimed author, immerses readers in a captivating exploration of the significance of language and its profound effect on our existence. Throughout this critique, we shall delve to the book's central themes, evaluate its unique writing style, and assess its overall influence on its readership.

[https://crm.avenza.com/data/scholarship/Download\\_PDFS/Property%20Management%20Tyler%20Tx.pdf](https://crm.avenza.com/data/scholarship/Download_PDFS/Property%20Management%20Tyler%20Tx.pdf)

### **Table of Contents Perkins 700 Series Workshop Manual**

1. Understanding the eBook Perkins 700 Series Workshop Manual
  - The Rise of Digital Reading Perkins 700 Series Workshop Manual
  - Advantages of eBooks Over Traditional Books
2. Identifying Perkins 700 Series Workshop Manual
  - Exploring Different Genres
  - Considering Fiction vs. Non-Fiction
  - Determining Your Reading Goals
3. Choosing the Right eBook Platform
  - Popular eBook Platforms
  - Features to Look for in an Perkins 700 Series Workshop Manual
  - User-Friendly Interface
4. Exploring eBook Recommendations from Perkins 700 Series Workshop Manual
  - Personalized Recommendations
  - Perkins 700 Series Workshop Manual User Reviews and Ratings
  - Perkins 700 Series Workshop Manual and Bestseller Lists
5. Accessing Perkins 700 Series Workshop Manual Free and Paid eBooks

- Perkins 700 Series Workshop Manual Public Domain eBooks
  - Perkins 700 Series Workshop Manual eBook Subscription Services
  - Perkins 700 Series Workshop Manual Budget-Friendly Options
6. Navigating Perkins 700 Series Workshop Manual eBook Formats
- ePub, PDF, MOBI, and More
  - Perkins 700 Series Workshop Manual Compatibility with Devices
  - Perkins 700 Series Workshop Manual Enhanced eBook Features
7. Enhancing Your Reading Experience
- Adjustable Fonts and Text Sizes of Perkins 700 Series Workshop Manual
  - Highlighting and Note-Taking Perkins 700 Series Workshop Manual
  - Interactive Elements Perkins 700 Series Workshop Manual
8. Staying Engaged with Perkins 700 Series Workshop Manual
- Joining Online Reading Communities
  - Participating in Virtual Book Clubs
  - Following Authors and Publishers Perkins 700 Series Workshop Manual
9. Balancing eBooks and Physical Books Perkins 700 Series Workshop Manual
- Benefits of a Digital Library
  - Creating a Diverse Reading Collection Perkins 700 Series Workshop Manual
10. Overcoming Reading Challenges
- Dealing with Digital Eye Strain
  - Minimizing Distractions
  - Managing Screen Time
11. Cultivating a Reading Routine Perkins 700 Series Workshop Manual
- Setting Reading Goals Perkins 700 Series Workshop Manual
  - Carving Out Dedicated Reading Time
12. Sourcing Reliable Information of Perkins 700 Series Workshop Manual
- Fact-Checking eBook Content of Perkins 700 Series Workshop Manual
  - Distinguishing Credible Sources
13. Promoting Lifelong Learning
- Utilizing eBooks for Skill Development

- Exploring Educational eBooks
14. Embracing eBook Trends
- Integration of Multimedia Elements
  - Interactive and Gamified eBooks

### **Perkins 700 Series Workshop Manual Introduction**

In the digital age, access to information has become easier than ever before. The ability to download Perkins 700 Series Workshop Manual has revolutionized the way we consume written content. Whether you are a student looking for course material, an avid reader searching for your next favorite book, or a professional seeking research papers, the option to download Perkins 700 Series Workshop Manual has opened up a world of possibilities. Downloading Perkins 700 Series Workshop Manual provides numerous advantages over physical copies of books and documents. Firstly, it is incredibly convenient. Gone are the days of carrying around heavy textbooks or bulky folders filled with papers. With the click of a button, you can gain immediate access to valuable resources on any device. This convenience allows for efficient studying, researching, and reading on the go. Moreover, the cost-effective nature of downloading Perkins 700 Series Workshop Manual has democratized knowledge. Traditional books and academic journals can be expensive, making it difficult for individuals with limited financial resources to access information. By offering free PDF downloads, publishers and authors are enabling a wider audience to benefit from their work. This inclusivity promotes equal opportunities for learning and personal growth. There are numerous websites and platforms where individuals can download Perkins 700 Series Workshop Manual. These websites range from academic databases offering research papers and journals to online libraries with an expansive collection of books from various genres. Many authors and publishers also upload their work to specific websites, granting readers access to their content without any charge. These platforms not only provide access to existing literature but also serve as an excellent platform for undiscovered authors to share their work with the world. However, it is essential to be cautious while downloading Perkins 700 Series Workshop Manual. Some websites may offer pirated or illegally obtained copies of copyrighted material. Engaging in such activities not only violates copyright laws but also undermines the efforts of authors, publishers, and researchers. To ensure ethical downloading, it is advisable to utilize reputable websites that prioritize the legal distribution of content. When downloading Perkins 700 Series Workshop Manual, users should also consider the potential security risks associated with online platforms. Malicious actors may exploit vulnerabilities in unprotected websites to distribute malware or steal personal information. To protect themselves, individuals should ensure their devices have reliable antivirus software installed and validate the legitimacy of the websites they are downloading from. In conclusion, the ability to download Perkins 700 Series Workshop Manual has transformed the way we access information.

With the convenience, cost-effectiveness, and accessibility it offers, free PDF downloads have become a popular choice for students, researchers, and book lovers worldwide. However, it is crucial to engage in ethical downloading practices and prioritize personal security when utilizing online platforms. By doing so, individuals can make the most of the vast array of free PDF resources available and embark on a journey of continuous learning and intellectual growth.

### **FAQs About Perkins 700 Series Workshop Manual Books**

How do I know which eBook platform is the best for me? Finding the best eBook platform depends on your reading preferences and device compatibility. Research different platforms, read user reviews, and explore their features before making a choice. Are free eBooks of good quality? Yes, many reputable platforms offer high-quality free eBooks, including classics and public domain works. However, make sure to verify the source to ensure the eBook credibility. Can I read eBooks without an eReader? Absolutely! Most eBook platforms offer web-based readers or mobile apps that allow you to read eBooks on your computer, tablet, or smartphone. How do I avoid digital eye strain while reading eBooks? To prevent digital eye strain, take regular breaks, adjust the font size and background color, and ensure proper lighting while reading eBooks. What the advantage of interactive eBooks? Interactive eBooks incorporate multimedia elements, quizzes, and activities, enhancing the reader engagement and providing a more immersive learning experience. Perkins 700 Series Workshop Manual is one of the best book in our library for free trial. We provide copy of Perkins 700 Series Workshop Manual in digital format, so the resources that you find are reliable. There are also many Ebooks of related with Perkins 700 Series Workshop Manual. Where to download Perkins 700 Series Workshop Manual online for free? Are you looking for Perkins 700 Series Workshop Manual PDF? This is definitely going to save you time and cash in something you should think about.

### **Find Perkins 700 Series Workshop Manual :**

~~property management tyler tx~~

~~programming manual for samsung ds 616~~

~~project libre user guide~~

~~proracun za halu aluminske konstrukcije~~

~~proper paper format~~

~~promotion board memorandum example~~

~~programming in c 4th edition~~

~~prolink plus manual~~

~~prophet 6service manual~~

**progress test new headway intermediate**

**property management companies jackson tn**

project of civil engineering

project management in practice 3rd edition solution

prokaryotic vs eukaryotic cells answer key

property management companies uk

### **Perkins 700 Series Workshop Manual :**

**leben in der ddr zusammenfassung studysmarter** - Jun 14 2023

web das leben in der ddr war von der geburt bis zum tod durchgeplant da das regierungssystem der ddr einer diktatur glich wurden die bürger innen unterdrückt und überwacht karrieremöglichkeiten boten sich meist nur

**leben in der ddr von klaus behling buch thalia** - Oct 06 2022

web thalia infos zu autor inhalt und bewertungen jetzt leben in der ddr nach hause oder in ihre filiale vor ort bestellen thalia startseite vor ort leben in der ddr alles was man wissen muss klaus behling buch gebundene ausgabe zum beispiel das buch fragen an die ddr eulenspiegel verlagsgruppe ist vor allem für jüngere

leben in der ddr alles was man wissen muss hardcover - Dec 28 2021

web leben in der ddr alles was man wissen muss on amazon com au free shipping on eligible orders leben in der ddr alles was man wissen muss

*leben in der ddr alles was man wissen muss gebundene ausgabe amazon de* - May 13 2023

web leben in der ddr alles was man wissen muss die deutsche demokratische republik existiert seit bald 30 jahren nicht mehr aber die debatten um die interpretation ihrer geschichte halten unvermindert an kaum eine stimme in den hitzigen diskussionen die dabei nicht für sich beansprucht die fakten richtig auszulegen

leben in der ddr alles was man wissen muss buch rbb shop - Mar 11 2023

web leben in der ddr das ultimative ddr handbuch die deutsche demokratische republik existiert seit bald 30 jahren nicht mehr aber die debatten um die interpretation ihrer geschichte halten unvermindert an kaum eine stimme in den hitzigen diskussionen die dabei nicht für sich beansprucht die fakten richtig auszulegen

**leben in der ddr alltag ddr geschichte planet wissen** - Aug 16 2023

web das leben in der ddr war von der geburt bis zum berufsleben durchgeplant frauen waren ebenso wie männer berufstätig



nur wenige betriebe boten halbtagsstellen an die kleinkinder kamen schon mit dem ersten lebensjahr in die kinderkrrippe jedem kind stand ein platz in der ganztagsbetreuung zu

**ddr alles was du wissen musst studysmarter** - Jul 15 2023

web leben in der ddr das leben in der ddr wurde wesentlich von der staatlichen lenkung geprägt denn die ddr war ein sozialistischer staat der auf planwirtschaft und staatlicher kontrolle basierte diese erstreckte sich auf alle bereiche des lebens einschließlic Arbeit Bildung und Freizeit

leben alltag kultur und gesellschaft in der ddr mdr de - Jan 09 2023

web leben in der ddr leben alltag und gesellschaft der ddr die ddr existierte mehr als 40 jahre bis zur wiedervereinigung prägte sie generationen von menschen ein blick auf das

*leben in der ddr alles was man wissen muss hardcover* - Feb 27 2022

web amazon in buy leben in der ddr alles was man wissen muss book online at best prices in india on amazon in read leben in der ddr alles was man wissen muss book reviews author details and more at amazon in free delivery on qualified orders

lebenszufriedenheit in der ddr lange wege der deutschen einheit bpb de - Jan 29 2022

web seit beginn der stellvertreterforschung im jahr 1968 haben lediglich ca 30 prozent der menschen in der ddr die lebensbedingungen im land als gut oder sehr gut empfunden ebenso viele stuften die bedingungen als ausgesprochen schlecht ein

**generationen diktatur und alltag kein ganz normales ddr leben** - Aug 04 2022

web may 26 2019 es fällt uns sehr leicht unangenehme ddr bilder und erinnerungen wachzurufen mauer stacheldraht wachtürme sichtbare symbole der gewalt kommen sofort ins gedächtnis auch symbole der

logo leben in der ddr zdf tivi zdfmediathek - Jun 02 2022

web 02 10 2016 hier geht s zur startseite noch mehr nachrichten für euch dass die menschen in der ddr ein so anderes leben hatten als die menschen in der bundesrepublik lag vor allem daran

*ddr so war der alltag in der deutschen demokratischen* - Sep 05 2022

web oct 3 2022 galileo life broiler trabi west pakete so war der ddr alltag wirklich 118 likes am 3 oktober 1990 war die ddr geschichte und mit ihr auch eine ganz besonderer lebensstil wir zeigen wie das ost leben wirklich war 0 akq picture alliance das wichtigste zum thema leben in der ddr

**ddr leben in der ddr ddr geschichte planet wissen** - Apr 12 2023

web leben in der ddr 40 jahre lang gab es zwei deutsche staaten getrennt durch bewachte grenzen und mauern die deutsche demokratische republik ddr und die bundesrepublik deutschland brd in der ddr galt das prinzip des sozialismus privateigentum und wirtschaft wurden verstaatlicht

*geschichte leben in der ddr deutschlandfunk* - May 01 2022

web mar 28 2014 wenn kinder und jugendliche von der ddr vergangenheit ihrer eltern und großeltern wissen werden sie neugierig auf ein leben das sie nur noch aus den schulbüchern kennen

**leben in der ddr alles was man wissen muss searchworks** - Nov 07 2022

web wichtig und selbstbewusst die grösste ddr der welt sag mir wo du stehst bonn und ostberlin brüder und schwestern brüder seht die rote fahne weht uns kühn voran angst vorm klassenfeind genossen der tag hat zu wenig stunden macht und ohnmacht im osten glüht der junge tag und morgenlüfte wehen

*leben in der ddr alles was man wissen muss ciltli kapak* - Feb 10 2023

web leben in der ddr alles was man wissen muss behling klaus amazon com tr kitap

**so war der alltag in der ddr geschichte zdfmediathek** - Dec 08 2022

web aug 9 2019 funk mrwissen2go geschichte so war der alltag in der ddr geschichte so war der alltag in der ddr geschichte ein angebot von funk wie war das in der ddr zu leben oberflächlich

**leben in der ddr alles was man wissen muss behling klaus** - Mar 31 2022

web sep 1 2018 leben in der ddr alles was man wissen muss behling klaus on amazon com free shipping on qualifying offers leben in der ddr alles was man wissen muss

**leben in der ddr alles was man wissen muss hardcover** - Jul 03 2022

web buy leben in der ddr alles was man wissen muss by behling klaus isbn 9783959581608 from amazon s book store everyday low prices and free delivery on eligible orders

**association nationale des membres de l ordre national du mérite** - Mar 31 2023

web il veille sur l attribution des décorations qui honorent les personnalités méritantes qu il s agisse de la légion d honneur de la médaille militaire de l ordre national du mérite ou de la médaille nationale de reconnaissance aux victimes du terrorisme guide a l usage des porte drapeaux associatifs

[american society of french order of merit](#) - Jun 21 2022

web the french national order of merit fom was created on december 3rd 1963 by general charles de gaulle then president of the french republic it is awarded to men and women for distinguished merits rendered to the french republic over the course of a career of at least 10 years for the grade of chevalier

*national order of merit service public fr* - Jul 03 2023

web mar 23 2023 after the legion of honor the ordre national du mérite is the second national order to honor french citizens it rewards distinguished merit acquired either in a public civil or

[list of foreign recipients of the national order of merit](#) - Jan 29 2023

web the national order of merit is a french order of merit with membership awarded by the president of the french republic founded 3 december 1963 by president charles de gaulle

**the national order of merit la grande chancellerie** - Jun 02 2023

web an institution of the french republic born in the middle of the 20th century the national order of merit is the second national order after the legion of honor its purpose is to reward distinguished merit and encourage the lifeblood of the country

*order of civil merit france wikipedia* - Feb 15 2022

web the ordre du mérite civil order of civil merit of france was created on 14 october 1957 to reward individuals who have rendered services reported to the state as part of the ministry of interior or to departments municipalities and public institutions

**ordre national du mérite simple english wikipedia the free** - Jul 23 2022

web the ordre national du mérite french ɔ̃dʁ nasjɔnal dy mɛʁit english national order of merit is a french order of merit with membership given by the president of the french republic founded on 3 december 1963 by president charles de gaulle it is usually only for french citizens

ordre national du merite 33 résultats abebooks france - Sep 24 2022

web isbn 10 270250390x isbn 13 9782702503904 vendeur le livre sablons france raconte moi l ordre national du merite de collectif et d autres livres articles d art et de collection similaires disponibles sur abebooks fr

liste d officiers de l ordre national du mérite france - Mar 19 2022

web les officiers de l ordre national du mérite listés ci dessous le sont selon l ordre alphabétique avec la mention éventuelle de leur fonction ayant justifié l élévation dans la dignité et avec entre parenthèses l indication de l année d attribution du titre si elle est connue a béatrice abollivier née le 10 février 1954 à plouescat haut fonctionnaire

ordre national du mérite wikiwand - Dec 28 2022

web the ordre national du mérite is a french order of merit with membership awarded by the president of the french republic founded on 3 december 1963 by president charles de gaulle

l ordre national du mérite française sérodes cultura - Aug 24 2022

web l ordre national du mérite par française sérodes aux éditions nane éditions deuxième édition du livre initialement paru en 2011 l ordre national du mérite a été fondé par décret du général de gaulle le 3 décembre 1963 pour récompenser

**ordre du mérite turquie wikipédia** - Apr 19 2022

web ordre du mérite turc türkiye cumhuriyeti liyakat nişanı ordre du mérite conditions décerné par turquie type ordre d etat décerné pour remis aux personnes qui sont des ressortissants étrangers en reconnaissance de leurs contributions à la

promotion et à la glorification internationales de la république de turquie dans le domaine des sciences

[ordre national du mérite wikipedia](#) - Aug 04 2023

web the ordre national du mérite french *ordre national du mérite* english national order of merit is a french order of merit with membership awarded by the president of the french republic founded on 3 december 1963 by president charles de gaulle

*about ordre national du mérite dbpedia association* - May 21 2022

web the ordre national du mérite french *ordre national du mérite* english national order of merit is a french order of merit with membership awarded by the president of the french republic founded on 3 december 1963 by president charles de gaulle the reason for the order s establishment was twofold to replace the large number of ministerial orders

[ordre national du mérite service public fr](#) - May 01 2023

web mar 23 2023 l ordre national du mérite est le second ordre national visant à honorer des citoyens français

**ordre national du mérite france wikipédia** - Sep 05 2023

web le grand chancelier de la légion d honneur est chancelier de l ordre national du mérite depuis 1974 tous les premiers ministres sont élevés par le président de la république à la dignité de grand croix de l ordre national du mérite après six mois de fonction 9 liste de chevaliers de l ordre national du mérite cités dans

*l ordre national du mérite la grande chancellerie* - Oct 06 2023

web institution républicaine née au cœur du xxème siècle l ordre national du mérite est le second ordre national après la légion d honneur il a pour vocation de récompenser les mérites distingués et d encourager les forces vives du pays

*l ordre national du mérite french edition kindle edition* - Nov 26 2022

web jul 22 2019 l ordre national du mérite french edition kindle edition by serodes françoise download it once and read it on your kindle device pc phones or tablets use features like bookmarks note taking and highlighting while reading l ordre national du mérite french edition

**the national order of merit france identifymedals com** - Oct 26 2022

web grand cross grand croix minimum 3 years in the rank of grand officer the national order of merit or ordre national du mérite in french is an order of merit with membership established to replace the large number of ministerial orders previously awarded by the ministries

*booklet a noble heritage the ordre national du mérite and the french* - Feb 27 2023

web acta historiae sancti lazari ordinis volume 3 2019 c savona ventura the ordre de saint lazare in the early nineteenth century enjoyed the fons honorum of the holy see bull of 1255 the protectorship of the reigning french king edict of 1609 and bull of 1664 and the latin patriarchate of jerusalem bull of 1261

**braten rezepte gutekueche de** - Oct 05 2022

web ostdeutsch kochen 65 1k subscribers subscribe 46k views 3 years ago buletten oder auch bouletten sind aus der klassischen hausmannskost nicht wegzudenken mit diesem

**braten rezepte gutekueche ch** - Dec 07 2022

web so pappen die rohen kartoffelscheiben nicht aneinander und die würfel werden schneller gar eine gute idee ist es die kartoffelscheiben oder würfel zu wässern so tritt die

**top 10 braten rezepte schöne klassiker cooknsoul de** - May 12 2023

web wir verraten dir die besten braten rezepte und jede menge tipps wie das fleisch am besten gelingt die besten zubereitungsmethoden für braten rezepte schmoren

braten rezepte deftiges für die große runde edeka - Mar 10 2023

web alle braten rezepte braten das zusammenspiel von hitze und fett braten hat immer zwei komponenten hitze und fett klappt hier ein perfektes zusammenspiel wird das

braten richtig zubereiten so gelingt jedes - Aug 15 2023

web braten diese rezepte gelingen gusto redaktion isbn 9783903057425 kostenloser versand für alle bücher mit versand und verkauf duch amazon

braten rezepte essen und trinken - Apr 11 2023

web leckere braten rezepte inspiration für koch anfänger und chefköche schritt für schritt zutatenliste aldi sÜd rezeptwelt gänsebraten rezept top 3 thomas sixt foodblog - Jan 28 2022

**braten diese rezepte gelingen diese braten gelingen** - Jun 13 2023

web jan 17 2022 braten rezepte für alle gelegenheiten aus dem topf oder aus dem backofen diese rezeptsammlung ist für alle fleischgenießer hier finden sie feine

braten diese rezepte gelingen customizer monos com - Oct 25 2021

bratkartoffeln so gelingen dir die goldgelben - Aug 03 2022

web sep 29 2022 am besten lässt du die kartoffeln zum kochen in der schale so bleibt die stärke in der kartoffel danach das wasser abgießen und die kartoffeln kurz abkühlen

**leckere braten rezepte rewe de** - Feb 09 2023

web jul 10 2023 während die kartoffeln wässern das Öl in der pfanne erhitzen die zwiebel pellen und hacken sowie den speck würfeln die hitze des herdes auf mittlere stufe

**klassische bratkartoffeln knusprig und einfach emmi** - Jan 08 2023

web beilagen zum braten wir haben 4 486 leckere beilagen zum braten rezepte für dich gefunden finde was du suchst abwechslungsreich simpel jetzt ausprobieren mit

**beilagen zum braten rezepte chefkoch** - Jun 01 2022

web braten diese rezepte gelingen kochen für kerle mit dem thermomix stembergs braten zeit für fleisch die 100 Lieblingsgerichte der deutschen clevere küchenrezepte

*die saftigsten buletten frikadellen so gelingen sie* - Sep 04 2022

web feb 14 2020 ob vom schwein rind oder pute variiert mit buntem gemüse oder obst für jeden ist etwas dabei also ladet demnächst doch einfach mal freunde eltern oder

die 5 leckersten braten rezepte fit und mental - Dec 27 2021

bratkartoffeln so gelingen sie garantiert daskochrezept de - Nov 25 2021

**bratkartoffeln so gelingt der klassiker garantiert chefkoch de** - Apr 30 2022

knusprige bratkartoffeln rezept tipps koch mit - Jul 02 2022

web braten diese rezepte gelingen downloaded from customizer monos com by guest dunn benjamin koreanisch kochen mvg verlag grünes zebra kocht das ist der name der

braten diese rezepte gelingen amazon de - Jul 14 2023

web braten diese rezepte gelingen diese braten gelingen bestimmt gusto redaktion amazon com tr kitap

**braten diese rezepte gelingen old vulkk com** - Sep 23 2021

**braten rezepte einfach lecker aldi süd** - Nov 06 2022

web tipp 1 das richtige fleischstück beim fleisch spielt qualität eine wichtige rolle sonst wird der braten schnell zäh bevorzuge sofern möglich bio fleisch neben der

**so gelingt der perfekte braten 5 tipps rewe de** - Mar 30 2022

**so gelingen knusprige buletten die du lieben wirst schnell** - Feb 26 2022