



12

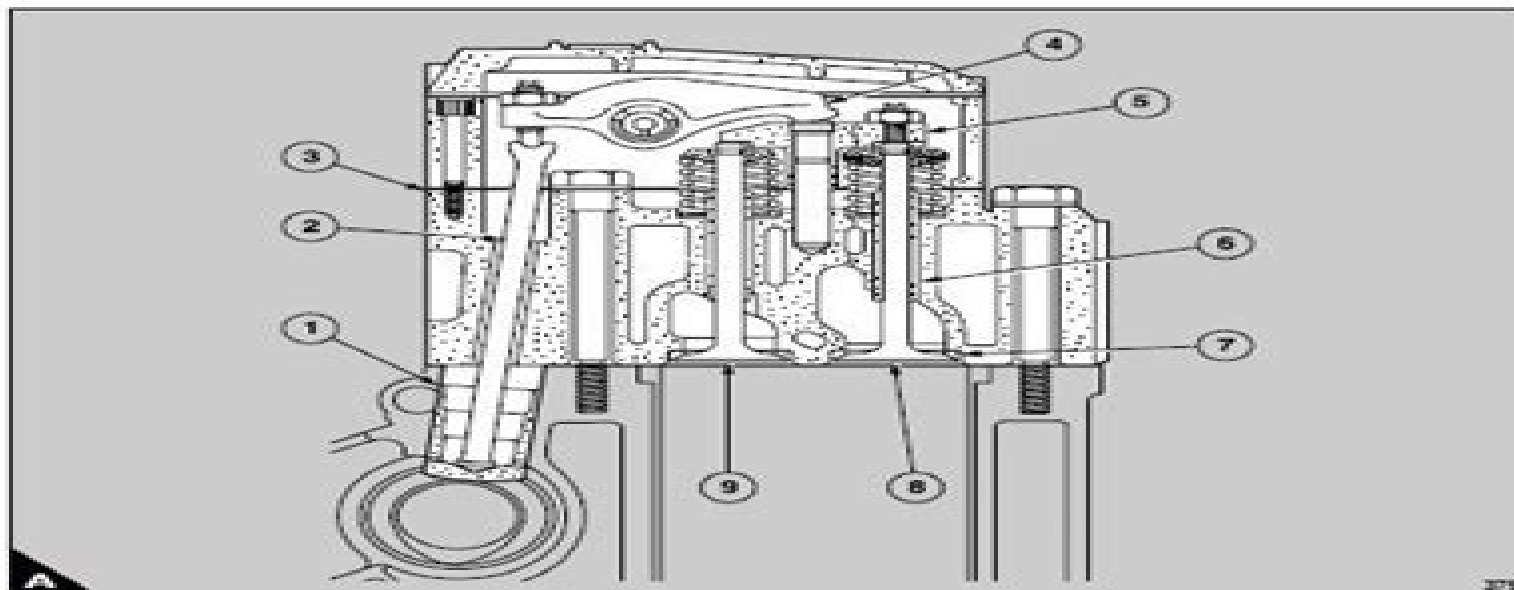
Cylinder head assembly

General description

The four cylinder heads, which are all the same, are made from high quality cast iron and are retained by bolts or by studs on early engines. They are machined on the top and bottom faces for the rocker box and the cylinder head gaskets respectively. Joint faces are machined on the inner and outer sides for the induction and the exhaust manifolds. There are passages for coolant in the cylinder head around the valve guides and the pockets for the fuel injectors.

The valve guides (A6) are made from an alloy of high quality nickel chromium and are a press fit in the cylinder head. The valve seat inserts (A7) are cooled and pressed into recesses which are machined in the cylinder heads.

Continued



Perkins 3012 Engine Parts Manual

Roman Wölfel



Perkins 3012 Engine Parts Manual:

Dragagem ,1975 **Kalamazoo Telephone Directories** ,1985 *Mechanical World* ,1910 *National Fisherman* ,1986-11 **Popular Mechanics** ,1981-12 Popular Mechanics inspires instructs and influences readers to help them master the modern world Whether it s practical DIY home improvement tips gadgets and digital technology information on the newest cars or the latest breakthroughs in science PM is the ultimate guide to our high tech lifestyle The Engineer ,1861
The Commercial Motor ,1979 **The Mechanical World** ,1910 **Security Owner's Stock Guide** Standard and Poor's Corporation,1961 **Power Farming in Australia and New Zealand Technical Manual** ,1970 **Popular Mechanics** ,1925-01 Popular Mechanics inspires instructs and influences readers to help them master the modern world Whether it s practical DIY home improvement tips gadgets and digital technology information on the newest cars or the latest breakthroughs in science PM is the ultimate guide to our high tech lifestyle *The Age of Steel* ,1895 **California Farmer** ,2004 **American Machinist** ,1886 **Power** ,1899 Machinery Lloyd ,1980 **Directory of Stationary Engineers of the States of Illinois, Indiana and Wisconsin** ,1922 **American Agriculturist** ,1905 Mechanics Magazine John I Knight,1869 **AMJ, Agricultural Machinery Journal** ,1983

Immerse yourself in heartwarming tales of love and emotion with Explore Love with its touching creation, **Perkins 3012 Engine Parts Manual** . This emotionally charged ebook, available for download in a PDF format (PDF Size: *), is a celebration of love in all its forms. Download now and let the warmth of these stories envelop your heart.

https://crm.avenza.com/public/book-search/Documents/Ratchet_To_Righteous_2.pdf

Table of Contents Perkins 3012 Engine Parts Manual

1. Understanding the eBook Perkins 3012 Engine Parts Manual
 - The Rise of Digital Reading Perkins 3012 Engine Parts Manual
 - Advantages of eBooks Over Traditional Books
2. Identifying Perkins 3012 Engine Parts Manual
 - Exploring Different Genres
 - Considering Fiction vs. Non-Fiction
 - Determining Your Reading Goals
3. Choosing the Right eBook Platform
 - Popular eBook Platforms
 - Features to Look for in an Perkins 3012 Engine Parts Manual
 - User-Friendly Interface
4. Exploring eBook Recommendations from Perkins 3012 Engine Parts Manual
 - Personalized Recommendations
 - Perkins 3012 Engine Parts Manual User Reviews and Ratings
 - Perkins 3012 Engine Parts Manual and Bestseller Lists
5. Accessing Perkins 3012 Engine Parts Manual Free and Paid eBooks
 - Perkins 3012 Engine Parts Manual Public Domain eBooks
 - Perkins 3012 Engine Parts Manual eBook Subscription Services
 - Perkins 3012 Engine Parts Manual Budget-Friendly Options
6. Navigating Perkins 3012 Engine Parts Manual eBook Formats

- ePub, PDF, MOBI, and More
 - Perkins 3012 Engine Parts Manual Compatibility with Devices
 - Perkins 3012 Engine Parts Manual Enhanced eBook Features
7. Enhancing Your Reading Experience
 - Adjustable Fonts and Text Sizes of Perkins 3012 Engine Parts Manual
 - Highlighting and Note-Taking Perkins 3012 Engine Parts Manual
 - Interactive Elements Perkins 3012 Engine Parts Manual
 8. Staying Engaged with Perkins 3012 Engine Parts Manual
 - Joining Online Reading Communities
 - Participating in Virtual Book Clubs
 - Following Authors and Publishers Perkins 3012 Engine Parts Manual
 9. Balancing eBooks and Physical Books Perkins 3012 Engine Parts Manual
 - Benefits of a Digital Library
 - Creating a Diverse Reading Collection Perkins 3012 Engine Parts Manual
 10. Overcoming Reading Challenges
 - Dealing with Digital Eye Strain
 - Minimizing Distractions
 - Managing Screen Time
 11. Cultivating a Reading Routine Perkins 3012 Engine Parts Manual
 - Setting Reading Goals Perkins 3012 Engine Parts Manual
 - Carving Out Dedicated Reading Time
 12. Sourcing Reliable Information of Perkins 3012 Engine Parts Manual
 - Fact-Checking eBook Content of Perkins 3012 Engine Parts Manual
 - Distinguishing Credible Sources
 13. Promoting Lifelong Learning
 - Utilizing eBooks for Skill Development
 - Exploring Educational eBooks
 14. Embracing eBook Trends
 - Integration of Multimedia Elements
 - Interactive and Gamified eBooks

Perkins 3012 Engine Parts Manual Introduction

In today's digital age, the availability of Perkins 3012 Engine Parts Manual books and manuals for download has revolutionized the way we access information. Gone are the days of physically flipping through pages and carrying heavy textbooks or manuals. With just a few clicks, we can now access a wealth of knowledge from the comfort of our own homes or on the go. This article will explore the advantages of Perkins 3012 Engine Parts Manual books and manuals for download, along with some popular platforms that offer these resources. One of the significant advantages of Perkins 3012 Engine Parts Manual books and manuals for download is the cost-saving aspect. Traditional books and manuals can be costly, especially if you need to purchase several of them for educational or professional purposes. By accessing Perkins 3012 Engine Parts Manual versions, you eliminate the need to spend money on physical copies. This not only saves you money but also reduces the environmental impact associated with book production and transportation. Furthermore, Perkins 3012 Engine Parts Manual books and manuals for download are incredibly convenient. With just a computer or smartphone and an internet connection, you can access a vast library of resources on any subject imaginable. Whether you're a student looking for textbooks, a professional seeking industry-specific manuals, or someone interested in self-improvement, these digital resources provide an efficient and accessible means of acquiring knowledge. Moreover, PDF books and manuals offer a range of benefits compared to other digital formats. PDF files are designed to retain their formatting regardless of the device used to open them. This ensures that the content appears exactly as intended by the author, with no loss of formatting or missing graphics. Additionally, PDF files can be easily annotated, bookmarked, and searched for specific terms, making them highly practical for studying or referencing. When it comes to accessing Perkins 3012 Engine Parts Manual books and manuals, several platforms offer an extensive collection of resources. One such platform is Project Gutenberg, a nonprofit organization that provides over 60,000 free eBooks. These books are primarily in the public domain, meaning they can be freely distributed and downloaded. Project Gutenberg offers a wide range of classic literature, making it an excellent resource for literature enthusiasts. Another popular platform for Perkins 3012 Engine Parts Manual books and manuals is Open Library. Open Library is an initiative of the Internet Archive, a non-profit organization dedicated to digitizing cultural artifacts and making them accessible to the public. Open Library hosts millions of books, including both public domain works and contemporary titles. It also allows users to borrow digital copies of certain books for a limited period, similar to a library lending system. Additionally, many universities and educational institutions have their own digital libraries that provide free access to PDF books and manuals. These libraries often offer academic texts, research papers, and technical manuals, making them invaluable resources for students and researchers. Some notable examples include MIT OpenCourseWare, which offers free access to course materials from the Massachusetts Institute of Technology, and the Digital Public Library of America, which provides a vast collection of digitized books and historical documents. In conclusion, Perkins 3012 Engine

Parts Manual books and manuals for download have transformed the way we access information. They provide a cost-effective and convenient means of acquiring knowledge, offering the ability to access a vast library of resources at our fingertips. With platforms like Project Gutenberg, Open Library, and various digital libraries offered by educational institutions, we have access to an ever-expanding collection of books and manuals. Whether for educational, professional, or personal purposes, these digital resources serve as valuable tools for continuous learning and self-improvement. So why not take advantage of the vast world of Perkins 3012 Engine Parts Manual books and manuals for download and embark on your journey of knowledge?

FAQs About Perkins 3012 Engine Parts Manual Books

How do I know which eBook platform is the best for me? Finding the best eBook platform depends on your reading preferences and device compatibility. Research different platforms, read user reviews, and explore their features before making a choice. Are free eBooks of good quality? Yes, many reputable platforms offer high-quality free eBooks, including classics and public domain works. However, make sure to verify the source to ensure the eBook credibility. Can I read eBooks without an eReader? Absolutely! Most eBook platforms offer webbased readers or mobile apps that allow you to read eBooks on your computer, tablet, or smartphone. How do I avoid digital eye strain while reading eBooks? To prevent digital eye strain, take regular breaks, adjust the font size and background color, and ensure proper lighting while reading eBooks. What the advantage of interactive eBooks? Interactive eBooks incorporate multimedia elements, quizzes, and activities, enhancing the reader engagement and providing a more immersive learning experience. Perkins 3012 Engine Parts Manual is one of the best book in our library for free trial. We provide copy of Perkins 3012 Engine Parts Manual in digital format, so the resources that you find are reliable. There are also many Ebooks of related with Perkins 3012 Engine Parts Manual. Where to download Perkins 3012 Engine Parts Manual online for free? Are you looking for Perkins 3012 Engine Parts Manual PDF? This is definitely going to save you time and cash in something you should think about. If you trying to find then search around for online. Without a doubt there are numerous these available and many of them have the freedom. However without doubt you receive whatever you purchase. An alternate way to get ideas is always to check another Perkins 3012 Engine Parts Manual. This method for see exactly what may be included and adopt these ideas to your book. This site will almost certainly help you save time and effort, money and stress. If you are looking for free books then you really should consider finding to assist you try this. Several of Perkins 3012 Engine Parts Manual are for sale to free while some are payable. If you arent sure if the books you would like to download works with for usage along with your computer, it is possible to download free trials. The free guides make it easy for someone to free access online library for download books to your device. You can

get free download on free trial for lots of books categories. Our library is the biggest of these that have literally hundreds of thousands of different products categories represented. You will also see that there are specific sites catered to different product types or categories, brands or niches related with Perkins 3012 Engine Parts Manual. So depending on what exactly you are searching, you will be able to choose e books to suit your own need. Need to access completely for Campbell Biology Seventh Edition book? Access Ebook without any digging. And by having access to our ebook online or by storing it on your computer, you have convenient answers with Perkins 3012 Engine Parts Manual To get started finding Perkins 3012 Engine Parts Manual, you are right to find our website which has a comprehensive collection of books online. Our library is the biggest of these that have literally hundreds of thousands of different products represented. You will also see that there are specific sites catered to different categories or niches related with Perkins 3012 Engine Parts Manual So depending on what exactly you are searching, you will be able to choose ebook to suit your own need. Thank you for reading Perkins 3012 Engine Parts Manual. Maybe you have knowledge that, people have search numerous times for their favorite readings like this Perkins 3012 Engine Parts Manual, but end up in harmful downloads. Rather than reading a good book with a cup of coffee in the afternoon, instead they juggled with some harmful bugs inside their laptop. Perkins 3012 Engine Parts Manual is available in our book collection an online access to it is set as public so you can download it instantly. Our digital library spans in multiple locations, allowing you to get the most less latency time to download any of our books like this one. Merely said, Perkins 3012 Engine Parts Manual is universally compatible with any devices to read.

Find Perkins 3012 Engine Parts Manual :

ratchet to righteous 2

randell 44262sa owners manual

rational cmp 201 service manual

rational equations foldable

raw scores on praxis 5161

raven biology 8th edition

rainy season essay wikipedia

randell 51362pr refrigerators owners manual

ralph steadman book of cats

ramakrishnan gehrke database management systems solutions manual

rat dissection lab worksheet answers

rang and dale pharmacology 8th edition

rav4 2007 repair manual

ramona the pest comprehension questions

rally education answer key level e

Perkins 3012 Engine Parts Manual :

downloads family and friends oxford university press - Jul 14 2023

web sep 11 2023 phonics new downloads listen at home listen at home target language songs and phonics audio from the class book family and friends 2nd edition level 3 listen at home audio zip 50mb greetings cards birthday card pdf 1mb grandparent s day card pdf 1mb

family and friends 3 unit 3 my things isl collective - Mar 10 2023

web family and friends 3 unit 3 my thin english esl video lessons english esl video lessons listening comprehension deep listening focus on meaning family and friends 3 unit 3 my things a filistejeva

listening family and friends3 bueng - Dec 27 2021

web jun 5 2023 review plainly put the listening family and friends3 is globally congruent with any devices to browse perceiving the hyperbole ways to obtain this ebook listening family and friends3 is also helpful listening family and friends3 is accessible in our literature accumulation an online access to it is set as public so you can

family and friends 3 unit 5 a naughty monkey youtube - Nov 06 2022

web may 28 2019 zoo animals 1 zoo animals penguin zebra monkey kangaroo camel lizard flamingo crocodile 2 adjectives kind angry scared funny free s

naomi simmons family and friends 3 workbook pdf google drive - Feb 26 2022

web sign in naomi simmons family and friends 3 workbook pdf google drive sign in

family and friends learning resources oxford university press - Apr 11 2023

web sep 13 2023 family and friends parent s site family and friends 1st edition listen at home audio copyright oxford university press sun sep 10 01 25 14 utc 2023

family and friends 3 class audio cd1 cd2 cd3 - May 12 2023

web family and friends 3 class audio cd 1 want to download this content or download all store

family and friends 3 unit 9 part 3 listening youtube - Oct 05 2022

web jul 26 2017 about press copyright contact us creators advertise developers terms privacy policy safety how youtube works test new features nfl sunday ticket press copyright

unit 3 my things lesson 1 family and friends 3 youtube - Sep 04 2022

web nov 15 2015 tiếng anh 3 family and friends national edition student book family and friends 3 list family and friends level 1 goo gl iafu6m list family

family and friends 3 class audio cd 1 - Jul 02 2022

web this entry was posted in 1 audio stream oxford primary school reading writing and tagged cd cd audio class audio cd family and friends our discovery island 1 teacher s edition my little island 3 class audio cdb do you want to download this content or do you want to download all

family and friends 3 unit 1 they re from australia - Aug 03 2022

web countries seasons1 countries egypt the uk russia spain thailand australia the usa brazil 2 seasons spring summer autumn winter gar

family friends 3 listening test full youtube - Dec 07 2022

web oct 6 2020 0 00 11 48 family friends 3 listening test full mina s english 710 subscribers subscribe 18k views 2 years ago summative and skills tests family friends 3

grade 3 family and friends national edition for viet nam - Apr 30 2022

web sep 13 2023 family and friends national edition for viet nam grade 3 games stories audio national grade 3 games stories audio

family and friends 3 testing and evaluation book - Mar 30 2022

web may 20 2016 family and friends 1 class book categories 2 pdf embed listening oxford primary school reading writing speaking tags ebook family and friends pdf ebook post navigation family and friends 3 photocopy masters book

family and friends 3 2nd edition youtube - Jun 01 2022

web feb 13 2018 subscribe to our channel youtube com channel ucqrhyothxglwoprhle4nfq1 they re from australia countries to be2 my weekend hobby3 my things4 we

level 3 american family and friends oxford university press - Jan 08 2023

web sep 13 2023 students american family and friends level 3 american family and friends level 3 play watch listen make family and friends 3 2nd edition class audio cd1 - Feb 09 2023

web family and friends 3 2nd edition class audio cd1 want to download this content or download all store download package for a printmaker that wants all the best quality pdf files you can use online e books like on projector with 3d flipbook effect

family and friends 3 classbook pdf google drive - Jan 28 2022

web sign in family and friends 3 classbook pdf google drive sign in

family and friends 3 young learners oxford university press - Jun 13 2023

web exceptionally strong skills training that s what you get with family and friends how the clear methodology with

objectives for every lesson and carefully staged activities support your children s learning so do the controlled skills time programmes in every unit and their listening speaking and literacy skills will continually improve

[level 3 family and friends oxford university press](#) - Aug 15 2023

web 2 days ago students family and friends level 3 downloads play songs new stories new phonics new level 3 stories songs phonics downloads games artwork acknowledgements course artwork adrian barclay jared beckstrand simon clare greetings artwork gustavo mazali judy brown

dyce sack and wensing s textbook of veterinary anatomy 5e - Jan 02 2022

dyce sack and wensing s textbook of veterinary anatomy - Jun 07 2022

web students veterinary view all anatomy physiology titles dyce sack and wensing s textbook of veterinary anatomy 5th edition author baljit singh date of publication

textbook of veterinary anatomy 4th edition amazon com - Aug 21 2023

web dec 3 2009 textbook of veterinary anatomy e book authors keith m dyce wolfgang o sack c j g wensing edition 4 revised publisher elsevier health

[dyce sack and wensing s textbook of veterinary anatomy 5th](#) - Feb 03 2022

[veterinary anatomy 4th edition dyce 2023](#) - Dec 01 2021

textbook of veterinary anatomy by keith m dyce - Jan 14 2023

web buy textbook of veterinary anatomy 4th edition 9781416066071 by k m dyce for up to 90 off at textbooks com

textbook of veterinary anatomy 4th edition pdf vet - Sep 22 2023

web dec 17 2009 dyce sack and wensing s textbook of veterinary anatomy 123 08 137 only 1 left in stock order soon offering comprehensive coverage of core

[textbook of veterinary anatomy 4th edition by](#) - Jul 08 2022

web dec 8 2009 gain the working anatomic knowledge that is crucial to your understanding of the veterinary basic sciences as well as detailed information directly applicable to the

textbook of veterinary anatomy k m dyce blackwell s - Apr 05 2022

web dyce sack and wensing s textbook of veterinary anatomy 124 99 this title will be released on july 17 2024 gain the working anatomic knowledge that is crucial to your

textbook of veterinary anatomy e book google books - Jul 20 2023

web nov 24 2009 keith m dyce dvm s bsc mrcvs professor emeritus of veterinary anatomy royal dick school of veterinary studies university of edinburgh

textbook of veterinary anatomy dyce keith m sack - Feb 15 2023

web textbook of veterinary anatomy by dyce k m keith m publication date 2002 topics veterinary anatomy publisher philadelphia saunders collection

dyce sack and wensing s textbook of veterinary elsevier uk - Mar 04 2022

web veterinary anatomy 4th edition dyce the works of william shakespeare vol 1 of 8 sep 19 2021 excerpt from the works of william shakespeare vol 1 of 8 from the text

textbook of veterinary anatomy 4th ed vsn review - Sep 10 2022

web jun 30 2017 dyce sack and wensing s textbook of veterinary anatomy 9780323442640 medicine health science books amazon com

textbook of veterinary anatomy 4th edition - Oct 11 2022

web home textbooks textbook of veterinary anatomy 4th edition by dyce k m et al 2010

textbook of veterinary anatomy worldcat org - Apr 17 2023

web dyce sack and wensing s textbook of veterinary anatomy 155 25 128 only 1 left in stock offering comprehensive coverage of core anatomic concepts this respected

evolve resources for textbook of veterinary anatomy 4th edition - May 18 2023

web textbook of veterinary anatomy by k m dyce 2010 saunders elsevier edition in english 4th ed

textbook of veterinary anatomy 4th edition vitalsource - Dec 13 2022

web the textbook of veterinary anatomy is truly a must have for those who need an anatomical reference this book promised to be an updated flashy eye catching

textbook of veterinary anatomy 4th edition elsevier - Oct 23 2023

web dec 3 2009 description offering comprehensive coverage of core anatomic concepts this respected clinically oriented text is the definitive source for a complete understanding of

dyce sack and wensing s textbook of veterinary anatomy - May 06 2022

web baljit singh upcoming edition isbn 9780323831086 gain the working anatomic knowledge that is crucial to your understanding of the veterinary basic sciences with

dyce sack and wensing s textbook of veterinary anatomy - Aug 09 2022

web dyce sack and wensing s textbook of veterinary anatomy authors baljit singh editor k m dyce summary gain the working anatomic knowledge that is crucial to your

textbook of veterinary anatomy by k m dyce open library - Mar 16 2023

web textbook of veterinary anatomy 4th edition is written by k m dyce w o sack c j g wensing and published by w b saunders company the digital and etextbook isbn's

textbook of veterinary anatomy dyce k m keith m free - Nov 12 2022

web dyce sack and wensing's textbook of veterinary anatomy baljit singh elsevier 2018 anatomy veterinary 854 pages gain the working anatomic knowledge that is crucial

dyce sack and wensing's textbook of veterinary - Jun 19 2023

web gain the working anatomic knowledge that is crucial to your understanding of the veterinary basic sciences as well as detailed information directly applicable to the care of specific

how to write a training request letter samples inside the - Dec 13 2022

web jan 24 2022 career design how to write a get request letter samples inside january 24 2022 hiring employees is one thing but getting them to yield desirable erreichte is the sum of many agents comprising training

14 training request form templates to supercharge course - Jul 08 2022

web jun 9 2022 leaning on a sample training request form template that may have worked for other companies can set your team up for success we've collected 14 training request form templates to help you get started 14 free training request form templates to download now 1 free training request form template from cognota

writing a request letter to attend training course with sample - May 06 2022

web jun 18 2023 here is a sample request letter to attend training course the letter should be in business style to show professionalism it is recommended to send it by certified mail to have proof that it was received

template professional development and training request letter - May 18 2023

web mar 10 2022 1 base your justification around something tangible employers are far more likely to approve and pay for professional development and training when it's in response to something tangible for example were you told to improve your leadership skills in a recent performance review are you dealing with an ongoing issue or mistake

how to write a training request letter glassdoor career guides - Jul 20 2023

web jun 29 2021 a training request letter is a type of formal letter written to ask your employer to provide funds to pursue additional training in your career for example you may write a request letter for training to take an online course or obtain a certification that will help you learn new skills and expertise related to your position

how to request training from your boss with sample letter - Feb 15 2023

web jun 15 2022 our guide talks you through how to request training from your boss complete with sample letters that cover all types of training how to request training from your boss with sample letter templates ics learn

training letter 28 examples format sample examples - Sep 10 2022

web 1 free training acknowledgement letter sample 2 free job training acknowledgement letter a training letter can also be sent by a training center to an organization with information about the training programs it is offering

how to write a training request letter samples inside - Oct 23 2023

web jan 24 2022 like every other formal letter there are acceptable formats when writing a letter to request training here is a simple guide salutation dear sir madam introduction state the purpose of the letter request for training and reasons for the training list of options and fees make your pick and show how it would help the company

business letter request for training example - Mar 04 2022

web may 7th 2018 sample letter of request to attend training search sample formats letter requesting paid training 1 1

business attire orientation sutd edu sg 1 5

training request letter 4 free templates writolay - Apr 17 2023

web aug 26 2023 training request letter 4 free templates august 26 2023 by rahul panchal when you become a permanent employee in a company you need to take permission through a formal request letter for indulgence in other programs that do not fall under the company s authorization

training request letter how to write one example - Mar 16 2023

web key achievements highlight some of the things you ve already accomplished as an employee demonstrating your diligence and proficiency your desire to grow with the company emphasize your commitment to the employer explaining where you see yourself within the organization in the future your thanks

free request letter for training course sample - Jun 07 2022

web apr 3 2023 request letter for training course sample your name your address city state zip code re opportunity for training dear name of employer this letter is a formal request for you to consider allowing me to take three working days from date to date in order to attend a training course for project management

request letter for training approval how to draft it right - Oct 11 2022

web oct 31 2023 answer yes you can mention relevant achievements or qualifications in your request letter for training to demonstrate your commitment and readiness for the training for example i would like to bring to your attention that during my tenure at the company i have successfully implemented several projects and consistently achieved mention

free samples request letter for training course request letters - Aug 21 2023

web apr 11 2023 dear manager s name i am writing to officials request permission to attend a training course that i believe will be instrumental in enhancing my professional skills and knowledge the training course is insert price name and it is projected to take place up insert date at insert location

[tips for writing a training request letter with example](#) - Jan 14 2023

web dec 19 2022 tips for writing a training request letter with example december 19 2022 robby how to write a training request letter follow these steps to draft an effective training request letter 1 research 2 ask for help think about internal coworkers who could recommend you for training or supervisors who could help you develop a

request letter to conduct training session in company sample letter - Aug 09 2022

web sep 13 2021 i hold an experience of mention duration years and have been working for company for the last years through this letter i would like to inform you that i am looking forward to doing a training session in your reputed company on date

[how to write a training request letter samples inside the](#) - Nov 12 2022

web feb 7 2023 java 24 2022 hire staff is one thing but bekommt them to yield desirable search is to amount von multitudinous factors including training rightful training furthermore expert developmental are integral in forward thinking firms but are often link to hr who force be already overwhelmed

tips for writing a training request letter with example - Sep 22 2023

web sep 29 2023 sample training request letter as you draft your letter to request training reviewing an example may help you frame your letter more effectively dear mrs waters as part of my professional development with this company i would like to pursue additional training to help me further improve and develop my skills

employees training request letter sample letters in english - Apr 05 2022

web mar 19 2021 i am writing this letter to request you to allow training for the employees of department sales marketing accounts any other team as we recently recruited new employees it s necessary for them to get familiar with the dynamic environment hence i request you to allow us to train and introduce the employees to

[effective training request email sample how to request training](#) - Jun 19 2023

web may 18 2023 for example you could say something like i am writing to request training on topic then briefly explain why you need this training and how it will benefit you and the organization as a whole body paragraphs the body of your email should provide more detail about the training you are requesting