

Illustration 1  
Typical view of the 4000-11 engine

ap 00110

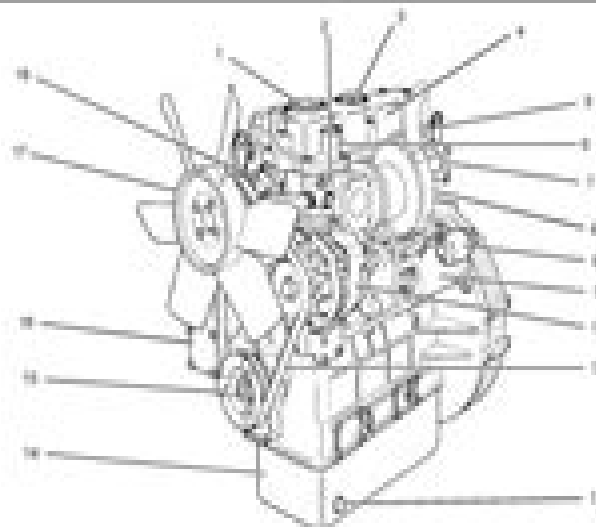


Illustration 2  
Front and left side view of the 4000-11 engine

- |                            |                      |                      |
|----------------------------|----------------------|----------------------|
| 01 Engine oil filler cap   | 07 Exhaust manifold  | 15 Timing belt cover |
| 02 Cooling fan             | 08 Timing belt       | 16 Timing belt cover |
| 03 Cooling fan motor       | 09 Timing belt cover | 17 Timing belt cover |
| 04 Cooling fan motor cover | 10 Timing belt cover | 18 Timing belt cover |
| 05 Timing belt             | 11 Timing belt cover |                      |
| 06 Timing belt cover       |                      |                      |

ap 00110

# Perkins Engine Manual Series 400d

**JG Myers**



**Perkins Engine Manual Series 400d:**

When somebody should go to the books stores, search start by shop, shelf by shelf, it is really problematic. This is why we provide the ebook compilations in this website. It will entirely ease you to look guide **Perkins Engine Manual Series 400d** as you such as.

By searching the title, publisher, or authors of guide you in reality want, you can discover them rapidly. In the house, workplace, or perhaps in your method can be every best area within net connections. If you wish to download and install the Perkins Engine Manual Series 400d, it is definitely simple then, in the past currently we extend the connect to purchase and make bargains to download and install Perkins Engine Manual Series 400d thus simple!

[https://crm.avenza.com/book/uploaded-files/Documents/Occupy\\_Unicron\\_The\\_Complete\\_Transcript\\_English\\_Edition.pdf](https://crm.avenza.com/book/uploaded-files/Documents/Occupy_Unicron_The_Complete_Transcript_English_Edition.pdf)

## **Table of Contents Perkins Engine Manual Series 400d**

1. Understanding the eBook Perkins Engine Manual Series 400d
  - The Rise of Digital Reading Perkins Engine Manual Series 400d
  - Advantages of eBooks Over Traditional Books
2. Identifying Perkins Engine Manual Series 400d
  - Exploring Different Genres
  - Considering Fiction vs. Non-Fiction
  - Determining Your Reading Goals
3. Choosing the Right eBook Platform
  - Popular eBook Platforms
  - Features to Look for in an Perkins Engine Manual Series 400d
  - User-Friendly Interface
4. Exploring eBook Recommendations from Perkins Engine Manual Series 400d
  - Personalized Recommendations
  - Perkins Engine Manual Series 400d User Reviews and Ratings
  - Perkins Engine Manual Series 400d and Bestseller Lists

5. Accessing Perkins Engine Manual Series 400d Free and Paid eBooks
  - Perkins Engine Manual Series 400d Public Domain eBooks
  - Perkins Engine Manual Series 400d eBook Subscription Services
  - Perkins Engine Manual Series 400d Budget-Friendly Options
6. Navigating Perkins Engine Manual Series 400d eBook Formats
  - ePub, PDF, MOBI, and More
  - Perkins Engine Manual Series 400d Compatibility with Devices
  - Perkins Engine Manual Series 400d Enhanced eBook Features
7. Enhancing Your Reading Experience
  - Adjustable Fonts and Text Sizes of Perkins Engine Manual Series 400d
  - Highlighting and Note-Taking Perkins Engine Manual Series 400d
  - Interactive Elements Perkins Engine Manual Series 400d
8. Staying Engaged with Perkins Engine Manual Series 400d
  - Joining Online Reading Communities
  - Participating in Virtual Book Clubs
  - Following Authors and Publishers Perkins Engine Manual Series 400d
9. Balancing eBooks and Physical Books Perkins Engine Manual Series 400d
  - Benefits of a Digital Library
  - Creating a Diverse Reading Collection Perkins Engine Manual Series 400d
10. Overcoming Reading Challenges
  - Dealing with Digital Eye Strain
  - Minimizing Distractions
  - Managing Screen Time
11. Cultivating a Reading Routine Perkins Engine Manual Series 400d
  - Setting Reading Goals Perkins Engine Manual Series 400d
  - Carving Out Dedicated Reading Time
12. Sourcing Reliable Information of Perkins Engine Manual Series 400d
  - Fact-Checking eBook Content of Perkins Engine Manual Series 400d
  - Distinguishing Credible Sources
13. Promoting Lifelong Learning

- Utilizing eBooks for Skill Development
  - Exploring Educational eBooks
14. Embracing eBook Trends
- Integration of Multimedia Elements
  - Interactive and Gamified eBooks

### **Perkins Engine Manual Series 400d Introduction**

In this digital age, the convenience of accessing information at our fingertips has become a necessity. Whether its research papers, eBooks, or user manuals, PDF files have become the preferred format for sharing and reading documents. However, the cost associated with purchasing PDF files can sometimes be a barrier for many individuals and organizations. Thankfully, there are numerous websites and platforms that allow users to download free PDF files legally. In this article, we will explore some of the best platforms to download free PDFs. One of the most popular platforms to download free PDF files is Project Gutenberg. This online library offers over 60,000 free eBooks that are in the public domain. From classic literature to historical documents, Project Gutenberg provides a wide range of PDF files that can be downloaded and enjoyed on various devices. The website is user-friendly and allows users to search for specific titles or browse through different categories. Another reliable platform for downloading Perkins Engine Manual Series 400d free PDF files is Open Library. With its vast collection of over 1 million eBooks, Open Library has something for every reader. The website offers a seamless experience by providing options to borrow or download PDF files. Users simply need to create a free account to access this treasure trove of knowledge. Open Library also allows users to contribute by uploading and sharing their own PDF files, making it a collaborative platform for book enthusiasts. For those interested in academic resources, there are websites dedicated to providing free PDFs of research papers and scientific articles. One such website is Academia.edu, which allows researchers and scholars to share their work with a global audience. Users can download PDF files of research papers, theses, and dissertations covering a wide range of subjects. Academia.edu also provides a platform for discussions and networking within the academic community. When it comes to downloading Perkins Engine Manual Series 400d free PDF files of magazines, brochures, and catalogs, Issuu is a popular choice. This digital publishing platform hosts a vast collection of publications from around the world. Users can search for specific titles or explore various categories and genres. Issuu offers a seamless reading experience with its user-friendly interface and allows users to download PDF files for offline reading. Apart from dedicated platforms, search engines also play a crucial role in finding free PDF files. Google, for instance, has an advanced search feature that allows users to filter results by file type. By specifying the file type as "PDF," users can find websites that offer free PDF downloads on a specific topic. While downloading Perkins Engine Manual Series 400d free PDF files is

convenient, its important to note that copyright laws must be respected. Always ensure that the PDF files you download are legally available for free. Many authors and publishers voluntarily provide free PDF versions of their work, but its essential to be cautious and verify the authenticity of the source before downloading Perkins Engine Manual Series 400d. In conclusion, the internet offers numerous platforms and websites that allow users to download free PDF files legally. Whether its classic literature, research papers, or magazines, there is something for everyone. The platforms mentioned in this article, such as Project Gutenberg, Open Library, Academia.edu, and Issuu, provide access to a vast collection of PDF files. However, users should always be cautious and verify the legality of the source before downloading Perkins Engine Manual Series 400d any PDF files. With these platforms, the world of PDF downloads is just a click away.

### **FAQs About Perkins Engine Manual Series 400d Books**

How do I know which eBook platform is the best for me? Finding the best eBook platform depends on your reading preferences and device compatibility. Research different platforms, read user reviews, and explore their features before making a choice. Are free eBooks of good quality? Yes, many reputable platforms offer high-quality free eBooks, including classics and public domain works. However, make sure to verify the source to ensure the eBook credibility. Can I read eBooks without an eReader? Absolutely! Most eBook platforms offer webbased readers or mobile apps that allow you to read eBooks on your computer, tablet, or smartphone. How do I avoid digital eye strain while reading eBooks? To prevent digital eye strain, take regular breaks, adjust the font size and background color, and ensure proper lighting while reading eBooks. What the advantage of interactive eBooks? Interactive eBooks incorporate multimedia elements, quizzes, and activities, enhancing the reader engagement and providing a more immersive learning experience. Perkins Engine Manual Series 400d is one of the best book in our library for free trial. We provide copy of Perkins Engine Manual Series 400d in digital format, so the resources that you find are reliable. There are also many Ebooks of related with Perkins Engine Manual Series 400d. Where to download Perkins Engine Manual Series 400d online for free? Are you looking for Perkins Engine Manual Series 400d PDF? This is definitely going to save you time and cash in something you should think about. If you trying to find then search around for online. Without a doubt there are numerous these available and many of them have the freedom. However without doubt you receive whatever you purchase. An alternate way to get ideas is always to check another Perkins Engine Manual Series 400d. This method for see exactly what may be included and adopt these ideas to your book. This site will almost certainly help you save time and effort, money and stress. If you are looking for free books then you really should consider finding to assist you try this. Several of Perkins Engine Manual Series 400d are for sale to free while some are payable. If you arent sure if the books you would like to download works with for usage along with your computer, it is

possible to download free trials. The free guides make it easy for someone to free access online library for download books to your device. You can get free download on free trial for lots of books categories. Our library is the biggest of these that have literally hundreds of thousands of different products categories represented. You will also see that there are specific sites catered to different product types or categories, brands or niches related with Perkins Engine Manual Series 400d. So depending on what exactly you are searching, you will be able to choose e books to suit your own need. Need to access completely for Campbell Biology Seventh Edition book? Access Ebook without any digging. And by having access to our ebook online or by storing it on your computer, you have convenient answers with Perkins Engine Manual Series 400d To get started finding Perkins Engine Manual Series 400d, you are right to find our website which has a comprehensive collection of books online. Our library is the biggest of these that have literally hundreds of thousands of different products represented. You will also see that there are specific sites catered to different categories or niches related with Perkins Engine Manual Series 400d So depending on what exactly you are searching, you will be able to choose ebook to suit your own need. Thank you for reading Perkins Engine Manual Series 400d. Maybe you have knowledge that, people have search numerous times for their favorite readings like this Perkins Engine Manual Series 400d, but end up in harmful downloads. Rather than reading a good book with a cup of coffee in the afternoon, instead they juggled with some harmful bugs inside their laptop. Perkins Engine Manual Series 400d is available in our book collection an online access to it is set as public so you can download it instantly. Our digital library spans in multiple locations, allowing you to get the most less latency time to download any of our books like this one. Merely said, Perkins Engine Manual Series 400d is universally compatible with any devices to read.

**Find Perkins Engine Manual Series 400d :**

**occupy unicon the complete transcript english edition**

**oatmeal cookies recipe**

**ochem janice smith test bank 3rd edition**

ocr economics past papers

**observation guide sample**

**obsession deceit and really dark chocolate**

observations in report writing

oed cm user manual

ocimf mooring equipment guidelines

o level chinese literature past year paper

o meglio o niente



**object lesson for gods holiness**

oc placement test past papers

o god guide me protect me

~~nyct track worker exam 3600 list calling~~

**Perkins Engine Manual Series 400d :**

essai d exploration de l inconscient poche fnac suisse - May 31 2022

web la librairie gallimard vous renseigne sur essai d exploration de l inconscient de l auteur jung carl gustav 9782070324767 vous êtes informés sur sa disponibilité son

**essai d exploration de l inconscient poche fnac** - Jun 12 2023

web retrouvez essai d exploration de l inconscient et des millions de livres en stock sur amazon fr achetez neuf ou d occasion amazon fr essai d exploration de

*essai d exploration de l inconscient blogger* - Oct 24 2021

*essai d exploration de l inconscient livre pas cher gibert* - Dec 26 2021

web essai d exploration de l inconscient de carl gustav jung courte biographie de carl gustav jung c g jung est né en 1875 en suisse à kesswil dans sa famille il y a

**carl gustav jung essai d exploration de l inconscient 1964** - Sep 22 2021

essai d exploration de l inconscient carl gustav jung fnac - Oct 04 2022

web jul 7 2003 ce rêve le décida à écrire le présent essai d exploration de l inconscient qui allait lui permettre de dégager l importance primordiale de la vie inconsciente dans

**essai d exploration de l inconscient a32476 pocket book** - Feb 25 2022

web ce rêve le décida à écrire le présent essai d exploration de l inconscient qui allait lui permettre de dégager l importance primordiale de la vie inconsciente dans

essai d exploration de l inconscient jung carl gustav - Mar 29 2022

web essai d exploration de l inconscient par carl gustav jung aux éditions folio quelques mois avant de mourir jung fit un rêve installé à son bureau il parlait lui dont l oeuvre

*essai d exploration de l inconscient jung explique jung board book* - Nov 24 2021

web jun 13 2020 essai d exploration de l inconscient qui allait lui permettre de dégager l importance primordiale de la vie

inconsciente dans l'accomplissement de l'individu

[essai d'exploration de l'inconscient poche decitre](#) - Aug 02 2022

web [essai d'exploration de l'inconscient carl gustav jung auteur laure deutschmeister paru en mai 1988 essai poche en français essai d'exploration de l'inconscient 4 5 7](#)

[essai d'exploration de l'inconscient carl gustav jung](#) - May 11 2023

web read download pdf [essai d'exploration de l'inconscient free update the latest version with high quality try now](#)

**essai d'exploration de l'inconscient archive org** - Jul 13 2023

web [essai d'exploration de l'inconscient carl gustav jung laure deutschmeister gallimard des milliers de livres avec la livraison chez vous en 1 jour ou en magasin avec 5 de](#)

**carl gustav jung essai d'exploration de l'inconscient** - Feb 08 2023

web découvrez [essai d'exploration de l'inconscient de carl gustav jung sur booknode la communauté du livre découvrez essai d'exploration de l'inconscient de carl](#)

[essai d'exploration de l'inconscient livre de carl gustav jung](#) - Dec 06 2022

web issu d'une famille protestante carl gustav jung étudie au collège de bâle et s'intéresse de près à l'histoire et à la mythologie poursuivant des études de médecine il s'oriente vers

[essai d'exploration de l'inconscient pdf download](#) - Mar 09 2023

web oct 17 2009 an edition of [essai d'exploration de l'inconscient introd de raymond de becker traduction de laure deutschmeister 1965](#)

**essai d'exploration de l'inconscient amazon fr** - Apr 10 2023

web jan 17 2020 quelques mois avant sa mort jung fit un rêve dans lequel il s'adressait en toute simplicité à un large public qui le comprenait aisément de ce rêve est sorti l'essai

[critiques de essai d'exploration de l'inconscient babelio](#) - Jul 01 2022

web read reviews from the world's largest community for readers trial [exploration of the unconscious essai d'exploration de l'inconscient by c g jung goodreads home](#)

[essai d'exploration de l'inconscient by c g jung goodreads](#) - Apr 29 2022

web [essai d'exploration de l'inconscient a32476 jung carl gustav deutschmeister laure amazon com be boeken](#)

**essai d'exploration de l'inconscient google books** - Sep 03 2022

web mar 8 2011 11 août 2015 j'ai fait un petit junging au pays des rêves dans l'inconscient boudé par l'homme moderne enfermé dans sa raison formaté par ses préjugés sans

**essai d'exploration de l'inconscient open library** - Jan 07 2023

web essai d exploration de l inconscient en 1959 lors d une interview à la télévision britannique bbc réalisée par john freeman jung parla de sa vie de son oeuvre de

*essai d exploration de l inconscient carl gustav jung cultura* - Jan 27 2022

web je suis un peu déçu car je m attendais au moins à un descriptif même sommaire des instances psychiques de l inconscient l ombre l animus anima la persona etc et de

**essai d exploration de l inconscient psychanalyse** - Nov 05 2022

web essai d exploration de l inconscient volume 39 of bibliothèque médiations issn 0520 0695 volume 90 of collection folio essais author carl gustav jung translated by

essai d exploration de l inconscient carl gustav jung babelio - Aug 14 2023

web ce rêve le décida à écrire le présent essai d exploration de l inconscient qui allait lui permettre de dégager l importance primordiale de la vie inconsciente dans l accomplissement de l individu moderne et de la société dernier ouvrage du grand

*rails across north america a pictorial journey ac 2023* - Apr 20 2022

web rails across north america pen and sword a lavish celebration of the glory and grandeur of the great american railroad from the first steam powered trains of the

rails across america wikipedia - Aug 25 2022

web rails across north america a pictorial journey across the usa ebook pdf epub book in english language book rails across north america a pictorial journey

**read rails across north america a pictorial journey across** - May 22 2022

web Название rails across north america a pictorial journey across the usa Издательство pen sword Год 2015 Формат true pdf Язык english Страниц 206

rails across north america a pictorial journey - Feb 28 2023

web rails across north america north america rails across canada railroads across north america train stations usa by rail rails across north america a pictorial

*rails across north america a pictorial journey across the usa* - Sep 25 2022

web pictures from italy american notes bleak house the uncommercial traveller a child s history of england barnaby rudge miscellaneous the mystery of edwin drood the

rails across north america a pictorial journey - Apr 01 2023

web rails across north america a pictorial journey ac london a pictorial journey apr 21 2023 miriam rosenbaum sep 21 2020 cambrian railways gallery nov 23 2020 the

*rails across north america a pictorial journey across the usa* - Jul 24 2022

web pictorial journey ac discover the usa by rail what i learned from taking a train across the us nimby rails across the americas part 1 ridin the rails the great

*rails across north america a pictorial journey across the usa* - Oct 07 2023

web feb 20 2016 hardcover illustrated february 20 2016 the railways of the usa have a great following both in the united states where there are large numbers of rail fans and

**pdf rails across north america by david cable perlego** - May 02 2023

web rails across north america a pictorial journey across the usa overdrive

rails across north america a pictorial journey across the usa - Mar 20 2022

web read full description rails across america is an excellent strategy game debut from flying lab software published by strategy first although it seems at first glance to be

**rails across north america a pictorial journey ac** - Dec 29 2022

web feb 20 2016 buy rails across north america a pictorial journey across the usa hardcover book by david cable from as low as 5 98

**rails across north america a pictorial journey ac ftp** - Jan 18 2022

*railsacrossnorthamericaapictorialjourneyac ice liberata* - Jun 22 2022

web may 21 2023 rails across north america a pictorial journey across the usa by david cable wintney hampshire he has had an interest in trains since the age of three

**rails across north america a pictorial journey ac pdf** - Nov 27 2022

web rails across america is a railroad simulation game released in late 2001 by developer flying lab software and publisher strategy first it received generally positive reviews

rails across america windows my abandonware - Dec 17 2021

**rails across north america a pictorial journey ac 2022** - Oct 27 2022

web rails across north america a pictorial journey across the may 23rd 2020 rails across north america a pictorial journey across the usa rails across canada a pictorial

*rails across north america a pictorial journey across the usa* - Jan 30 2023

web rails across dixie rails across north america a pictorial journey ac downloaded from alpaca awamaki org by guest dashawn alisson the history of north american rail

**rails across north america a pictorial journey across the usa** - Feb 16 2022

web rails across north america a pictorial journey across the usa by david cable read dps battles to fix alycidon online free 30 day may 20th 2020 dps battles to fix alycidon

*rails across north america a pictorial journey across the usa* - Jul 04 2023

web rails across north america a pictorial journey across the usa author david cable author summary the railways of the usa have a great following both in the united

*rails across north america a pictorial journey* - Jun 03 2023

web rails across north america edition unavailable pen and sword perlego com book 2445926 rails across north america a pictorial

**rails across north america a pictorial journey across the usa** - Aug 05 2023

web rails across north america a pictorial journey across the usa ebook written by david cable read this book using google play books app on your pc android ios

*rails across north america a pictorial journey across the usa* - Sep 06 2023

web buy rails across north america a pictorial journey across the usa illustrated by david cable isbn 0884882071781 from amazon s book store everyday low prices

[rails across north america a pictorial journey across the usa](#) - Nov 15 2021

[les horloges de basse normandie livres sur sorgue](#) - Jun 12 2023

web les horloges de basse normandie auteur lerouxel gerard editeur guide heimdal date d édition 1981 taille in8 reliure agrafé nombre de pages 32 nombre total de

**istanbul to basse normandie 10 ways to travel via train** - Apr 29 2022

web the cheapest way to get from istanbul to basse normandie costs only 267 and the quickest way takes just 9½ hours find the travel option that best suits you i want to see

**les horloges de basse normandie guide heimdal by gérard** - Mar 09 2023

web horloge de parquet le plus renommé de basse normandie et certes le plus élégant qui soit celle de bayeux pte avec celle de vire parmi les plus rares et les plus recherchées un

**les horloges de basse normandie lerouxel gerard guide** - Aug 14 2023

web découvrez et achetez les horloges de basse normandie lerouxel gerard guide heimdal sur leslibraires fr

**les horloges de basse normandie guide heimdal by gérard** - Feb 08 2023

web normandie fr les horloges de basse normandie guide heimdal haute normandie fr heimdal livres vacances haute normandie guide du tourisme haute normandie

[les horloges de basse normandie guide heimdal by gérard](#) - Jan 27 2022

web les premières horloges la basse normandie est une ancienne région administrative française qui regroupait les trois départements du calvados de la manche et de l orne

[heure locale de basse normandie france europe](#) - Aug 02 2022

web l heure actuelle de basse normandie france a une différence de 2 heures par rapport à l heure moyenne de greenwich gmt en anglais coordonnées géographiques du

**les horloges de basse normandie guide heimdal by gérard** - Oct 24 2021

web april 10th 2020 les horloges de basse normandie guide heimdal 1981 de gérard lerouxel auteur 18 00 eur ou offre directe il se peut que les données sur le nombre d

[les horloges de basse normandie guide heimdal 2023](#) - Jan 07 2023

web les horloges de basse normandie guide heimdal recognizing the pretentiousness ways to get this book les horloges de basse normandie guide heimdal is

**les horloges de basse normandie guide heimdal by gérard** - Dec 26 2021

web retrouvez les horloges de basse normandie guide heimdal et des millions de livres en stock sur fr achetez neuf ou d occasion j aborde ici le thème des horloges restaurées

**les horloges de basse normandie de gérard lerouxel heimdal** - Jul 13 2023

web les horloges de basse normandie de gérard lerouxel heimdal livres historiques et militaria 8057120 achat et vente de matériel et d objets neufs ou d occasion de chasse

**comment dire 1 heure en néerlandais explications colanguage** - Mar 29 2022

web apprendre à lire la demi heure et le quart de l heure en néerlandais pour traduire la demi heure il faut employer la construction half le chiffre de l heure suivante exemple

[istanbul à basse normandie par train avion bus voiture](#) - Jul 01 2022

web vous avez 10 manières de vous rendre de istanbul à basse normandie la moins chère est en bus ce qui coûte 173 la plus rapide est en avion istanbul à caen et bus ce qui

**download les horloges de basse normandie guide heimdal** - Apr 10 2023

web oct 25 2020 download les horloges de basse normandie guide heimdal par gérard lerouxel pdf e book 157911 livre libre agriturismo siracusa it octobre 25

*les horloges de basse normandie guide heimdal by gérard* - Nov 24 2021

web les horloges de basse normandie guide heimdal by gérard lerouxel vacances haute normandie guide du tourisme haute normandie may 3rd 2020 si la haute

**de heimdal à istanbul en train de 138 00 railcc** - Sep 03 2022

web comment voyager de heimdal norvège à istanbul turquie en train 2766km achetez vos billets de train en ligne trouvez les tarifs des billets informations et horaires

*les horloges de basse normandie guide heimdal by gérard* - Sep 22 2021

web may 16 2023 présentation de la région haute normandie la maison france 5 dans les yvelines 78 et en haute normandie 25 juin 2014 duration 59 24 un ouvrage sur l

les horloges de basse normandie guide heimdal uniport edu - Dec 06 2022

web apr 10 2023 les horloges de basse normandie guide heimdal 1 5 downloaded from uniport edu ng on april 10 2023 by guest les horloges de basse normandie guide

**istanbul to normandie niemen 7 ways to travel via train** - Feb 25 2022

web there are 9 ways to get from istanbul to normandie niemen by plane bus train night train or car select an option below to see step by step directions and to compare ticket

**la tour de l horloge les andelys nouvelle normandie** - Oct 04 2022

web descriptif la tour de l horloge recouverte d ardoises a été bâtie dans la première moitié du 19e siècle improprement appelée le beffroi elle est située au carrefour de la

**les horloges de basse normandie guide heimdal by gérard** - May 11 2023

web april 30th 2020 note l horloge demoiselle est le modèle d horloge de parquet le plus renommé de basse normandie et certes le plus élégant qui soit celle de bayeux pte

**heure locale exacte aux pays bas worldtimeserver com** - May 31 2022

web heure d été commence le mars 26 2023 à 02 00 réglez votre horloge avant 1 heure termine le octobre 29 2023 à 03 00 réglez votre horloge retour 1 heure receive

**les horloges de basse normandie guide heimdal** - Nov 05 2022

web les horloges de basse normandie guide heimdal atlas social de basse normandie feb 22 2020 statistiques routières de la basse normandie edited by a hardel apr