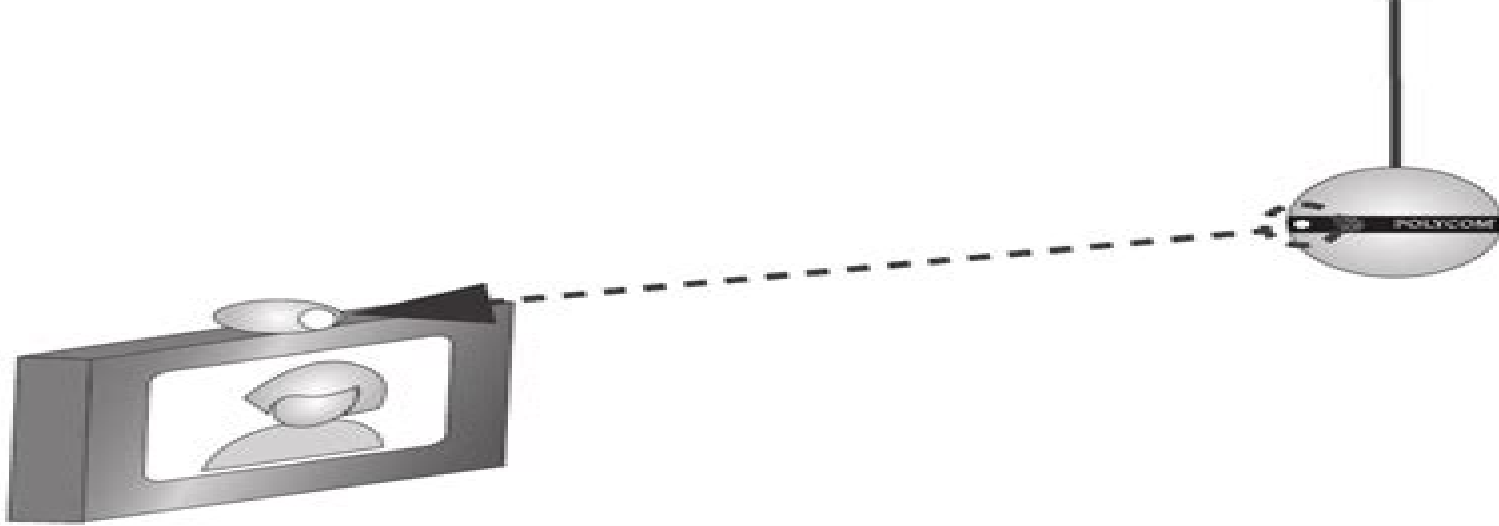
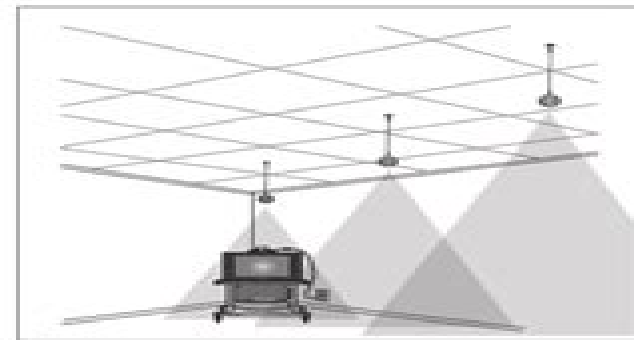
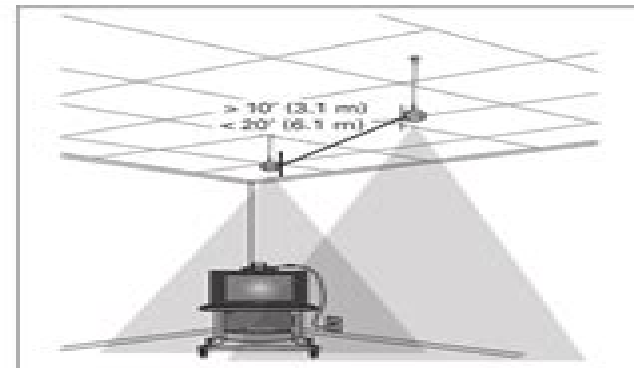
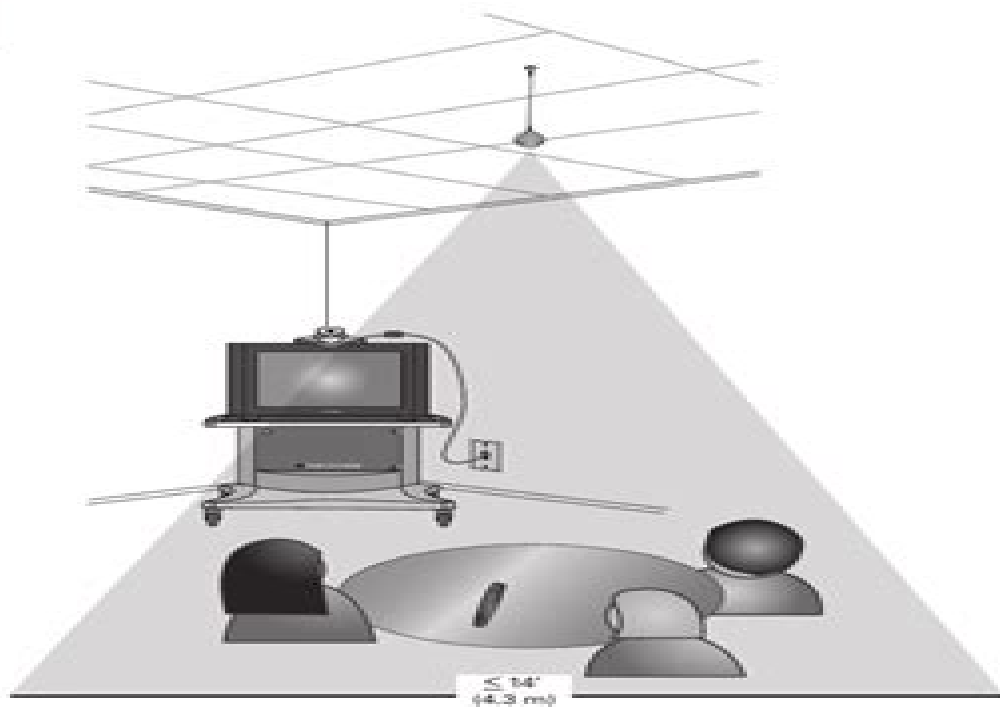


8



9



Polycom Vsx 5000 User Manual

LL Leslie



Polycom Vsx 5000 User Manual:

Polycom Vsx 5000 User Manual: Bestsellers in 2023 The year 2023 has witnessed a noteworthy surge in literary brilliance, with numerous compelling novels captivating the hearts of readers worldwide. Lets delve into the realm of popular books, exploring the engaging narratives that have captivated audiences this year. The Must-Read : Colleen Hoover's "It Ends with Us" This poignant tale of love, loss, and resilience has captivated readers with its raw and emotional exploration of domestic abuse. Hoover masterfully weaves a story of hope and healing, reminding us that even in the darkest of times, the human spirit can prevail. Polycom Vsx 5000 User Manual : Taylor Jenkins Reids "The Seven Husbands of Evelyn Hugo" This spellbinding historical fiction novel unravels the life of Evelyn Hugo, a Hollywood icon who defies expectations and societal norms to pursue her dreams. Reids absorbing storytelling and compelling characters transport readers to a bygone era, immersing them in a world of glamour, ambition, and self-discovery. Discover the Magic : Delia Owens "Where the Crawdads Sing" This mesmerizing coming-of-age story follows Kya Clark, a young woman who grows up alone in the marshes of North Carolina. Owens spins a tale of resilience, survival, and the transformative power of nature, entrancing readers with its evocative prose and mesmerizing setting. These popular novels represent just a fraction of the literary treasures that have emerged in 2023. Whether you seek tales of romance, adventure, or personal growth, the world of literature offers an abundance of engaging stories waiting to be discovered. The novel begins with Richard Papen, a bright but troubled young man, arriving at Hampden College. Richard is immediately drawn to the group of students who call themselves the Classics Club. The club is led by Henry Winter, a brilliant and charismatic young man. Henry is obsessed with Greek mythology and philosophy, and he quickly draws Richard into his world. The other members of the Classics Club are equally as fascinating. Bunny Corcoran is a wealthy and spoiled young man who is always looking for a good time. Charles Tavis is a quiet and reserved young man who is deeply in love with Henry. Camilla Macaulay is a beautiful and intelligent young woman who is drawn to the power and danger of the Classics Club. The students are all deeply in love with Morrow, and they are willing to do anything to please him. Morrow is a complex and mysterious figure, and he seems to be manipulating the students for his own purposes. As the students become more involved with Morrow, they begin to commit increasingly dangerous acts. The Secret History is a exceptional and suspenseful novel that will keep you wondering until the very end. The novel is a warning tale about the dangers of obsession and the power of evil.

<https://crm.avenza.com/files/detail/index.jsp/recipe%20crock%20pot%20dressing.pdf>

Table of Contents Polycom Vsx 5000 User Manual

1. Understanding the eBook Polycom Vsx 5000 User Manual
 - The Rise of Digital Reading Polycom Vsx 5000 User Manual
 - Advantages of eBooks Over Traditional Books
2. Identifying Polycom Vsx 5000 User Manual
 - Exploring Different Genres
 - Considering Fiction vs. Non-Fiction
 - Determining Your Reading Goals
3. Choosing the Right eBook Platform
 - Popular eBook Platforms
 - Features to Look for in an Polycom Vsx 5000 User Manual
 - User-Friendly Interface
4. Exploring eBook Recommendations from Polycom Vsx 5000 User Manual
 - Personalized Recommendations
 - Polycom Vsx 5000 User Manual User Reviews and Ratings
 - Polycom Vsx 5000 User Manual and Bestseller Lists
5. Accessing Polycom Vsx 5000 User Manual Free and Paid eBooks
 - Polycom Vsx 5000 User Manual Public Domain eBooks
 - Polycom Vsx 5000 User Manual eBook Subscription Services
 - Polycom Vsx 5000 User Manual Budget-Friendly Options
6. Navigating Polycom Vsx 5000 User Manual eBook Formats
 - ePub, PDF, MOBI, and More
 - Polycom Vsx 5000 User Manual Compatibility with Devices
 - Polycom Vsx 5000 User Manual Enhanced eBook Features
7. Enhancing Your Reading Experience
 - Adjustable Fonts and Text Sizes of Polycom Vsx 5000 User Manual
 - Highlighting and Note-Taking Polycom Vsx 5000 User Manual
 - Interactive Elements Polycom Vsx 5000 User Manual
8. Staying Engaged with Polycom Vsx 5000 User Manual

- Joining Online Reading Communities
 - Participating in Virtual Book Clubs
 - Following Authors and Publishers Polycom Vsx 5000 User Manual
9. Balancing eBooks and Physical Books Polycom Vsx 5000 User Manual
- Benefits of a Digital Library
 - Creating a Diverse Reading Collection Polycom Vsx 5000 User Manual
10. Overcoming Reading Challenges
- Dealing with Digital Eye Strain
 - Minimizing Distractions
 - Managing Screen Time
11. Cultivating a Reading Routine Polycom Vsx 5000 User Manual
- Setting Reading Goals Polycom Vsx 5000 User Manual
 - Carving Out Dedicated Reading Time
12. Sourcing Reliable Information of Polycom Vsx 5000 User Manual
- Fact-Checking eBook Content of Polycom Vsx 5000 User Manual
 - Distinguishing Credible Sources
13. Promoting Lifelong Learning
- Utilizing eBooks for Skill Development
 - Exploring Educational eBooks
14. Embracing eBook Trends
- Integration of Multimedia Elements
 - Interactive and Gamified eBooks

Polycom Vsx 5000 User Manual Introduction

Polycom Vsx 5000 User Manual Offers over 60,000 free eBooks, including many classics that are in the public domain. Open Library: Provides access to over 1 million free eBooks, including classic literature and contemporary works. Polycom Vsx 5000 User Manual Offers a vast collection of books, some of which are available for free as PDF downloads, particularly older books in the public domain. Polycom Vsx 5000 User Manual : This website hosts a vast collection of scientific articles, books, and textbooks. While it operates in a legal gray area due to copyright issues, its a popular resource for finding various publications. Internet Archive for Polycom Vsx 5000 User Manual : Has an extensive collection of digital content, including

books, articles, videos, and more. It has a massive library of free downloadable books. Free-eBooks Polycom Vsx 5000 User Manual Offers a diverse range of free eBooks across various genres. Polycom Vsx 5000 User Manual Focuses mainly on educational books, textbooks, and business books. It offers free PDF downloads for educational purposes. Polycom Vsx 5000 User Manual Provides a large selection of free eBooks in different genres, which are available for download in various formats, including PDF. Finding specific Polycom Vsx 5000 User Manual, especially related to Polycom Vsx 5000 User Manual, might be challenging as they're often artistic creations rather than practical blueprints. However, you can explore the following steps to search for or create your own Online Searches: Look for websites, forums, or blogs dedicated to Polycom Vsx 5000 User Manual, Sometimes enthusiasts share their designs or concepts in PDF format. Books and Magazines Some Polycom Vsx 5000 User Manual books or magazines might include. Look for these in online stores or libraries. Remember that while Polycom Vsx 5000 User Manual, sharing copyrighted material without permission is not legal. Always ensure you're either creating your own or obtaining them from legitimate sources that allow sharing and downloading. Library Check if your local library offers eBook lending services. Many libraries have digital catalogs where you can borrow Polycom Vsx 5000 User Manual eBooks for free, including popular titles. Online Retailers: Websites like Amazon, Google Books, or Apple Books often sell eBooks. Sometimes, authors or publishers offer promotions or free periods for certain books. Authors Website Occasionally, authors provide excerpts or short stories for free on their websites. While this might not be the Polycom Vsx 5000 User Manual full book, it can give you a taste of the author's writing style. Subscription Services Platforms like Kindle Unlimited or Scribd offer subscription-based access to a wide range of Polycom Vsx 5000 User Manual eBooks, including some popular titles.

FAQs About Polycom Vsx 5000 User Manual Books

1. Where can I buy Polycom Vsx 5000 User Manual books? Bookstores: Physical bookstores like Barnes & Noble, Waterstones, and independent local stores. Online Retailers: Amazon, Book Depository, and various online bookstores offer a wide range of books in physical and digital formats.
2. What are the different book formats available? Hardcover: Sturdy and durable, usually more expensive. Paperback: Cheaper, lighter, and more portable than hardcovers. E-books: Digital books available for e-readers like Kindle or software like Apple Books, Kindle, and Google Play Books.
3. How do I choose a Polycom Vsx 5000 User Manual book to read? Genres: Consider the genre you enjoy (fiction, non-fiction, mystery, sci-fi, etc.). Recommendations: Ask friends, join book clubs, or explore online reviews and

- recommendations. Author: If you like a particular author, you might enjoy more of their work.
4. How do I take care of Polycom Vsx 5000 User Manual books? Storage: Keep them away from direct sunlight and in a dry environment. Handling: Avoid folding pages, use bookmarks, and handle them with clean hands. Cleaning: Gently dust the covers and pages occasionally.
 5. Can I borrow books without buying them? Public Libraries: Local libraries offer a wide range of books for borrowing. Book Swaps: Community book exchanges or online platforms where people exchange books.
 6. How can I track my reading progress or manage my book collection? Book Tracking Apps: Goodreads, LibraryThing, and Book Catalogue are popular apps for tracking your reading progress and managing book collections. Spreadsheets: You can create your own spreadsheet to track books read, ratings, and other details.
 7. What are Polycom Vsx 5000 User Manual audiobooks, and where can I find them? Audiobooks: Audio recordings of books, perfect for listening while commuting or multitasking. Platforms: Audible, LibriVox, and Google Play Books offer a wide selection of audiobooks.
 8. How do I support authors or the book industry? Buy Books: Purchase books from authors or independent bookstores. Reviews: Leave reviews on platforms like Goodreads or Amazon. Promotion: Share your favorite books on social media or recommend them to friends.
 9. Are there book clubs or reading communities I can join? Local Clubs: Check for local book clubs in libraries or community centers. Online Communities: Platforms like Goodreads have virtual book clubs and discussion groups.
 10. Can I read Polycom Vsx 5000 User Manual books for free? Public Domain Books: Many classic books are available for free as they're in the public domain. Free E-books: Some websites offer free e-books legally, like Project Gutenberg or Open Library.

Find Polycom Vsx 5000 User Manual :

recipe crock pot dressing

[recipe amish thumb print cookies](#)

recipe for coconut fudge

recipe for carrabbas minestrone soup

recipe creamy jalapeno sauce

[recipe cranberry scones](#)

[recipe dog food organic](#)

[recipe for baked plantains](#)

[recipe baked whole fish char trout stuffed](#)

[recipe and red beans and rice](#)

[recipe for butternut tomato bisque](#)

[recipe cooked greens](#)

recipe for caldo de pollo

recipe fennel pollen

[recept for employee manual](#)

Polycom Vsx 5000 User Manual :

[national shrine of the sacred heart the humble](#) - Apr 30 2023

web feb 7 2008 father fernando suarez healing mass schedule his boyish allure strikingly good sights and characteristic warm smile exist adequately until make his followers

the mission of fr suarez continues manila bulletin - Jul 22 2022

web all flights from istanbul to san fernando de apure see airlines aircrafts flight time and distance flight schedules and timetables

healing priest hailed as martyr in hometown inquirer - Nov 25 2022

web cheap flights from san fernando de apure to istanbul compare over 1000 booking sites find the lowest price fast easy booking visit sa wego com now flight deals from

god took fr suarez after his name was restored - Jan 28 2023

web feb 5 2020 father fernando suarez a locally famous catholic priest who was recently cleared of sexual abuse charges by the vatican died yesterday of a massive heart attack

the vindication of fr fernando suarez 52 abs - Feb 26 2023

web feb 5 2020 manila catholic prelates on wednesday paid tribute to the works of the late healing priest fr fernando suarez retired lipa archbishop ramon arguelles said

fernando suarez wikipedia - Aug 03 2023

fernando suarez 7 february 1967 4 february 2020 was a filipino catholic priest who performed faith healing in the philippines and abroad he grew up in the philippines and spent much of his life working in the philippines in 1995 he left with a chemical engineering degree travelling to winnipeg canada to pursue his calling to become a priest in 1997 he joined the companions of the cross co

sebastian achaval roxana suarez 16 tango to istanbul - May 20 2022

web feb 6 2022 father fernando suarez healing mass schedule pages home about contact schedule daily gospel readings videos sunday february 6 2022 tribute

prelates mourn death of healing priest fr fernando suarez - Sep 23 2022

web oct 30 2023 paris sehr iftar timings 2023 today 30 oct 2023 paris sehr o iftar timings are sehr time 5 47 and iftar time 17 37 hanafi sunni safi i fiqa jafria shia sehr

controversial healing priest cleared of sex abuse accusations by - Aug 23 2022

web all flights from san fernando de apure to istanbul see airlines aircrafts flight time and distance flight schedules and timetables

father fernando suarez healing mass - Oct 05 2023

web mar 14 2021 be happy the number one causes of death are not your vices but the loss of will to live when one loses the will to live one becomes unhappy then it contaminates

father fernando suarez healing mass about john arcilla - Oct 25 2022

web sebastian achaval roxana suarez roxana had already listened to tango music in her mother s womb as a young child she used to go with her to the milonga her grand

father fernando suarez healing mass 2021 - Sep 04 2023

web mar 14 2021 tuesday february 23 2021 a rare privilege of a lifetime i can still clearly recall his first question to me that day do you want to enter the seminary surprised i

healing priest fr fernando suarez collapses dies - Jul 02 2023

web feb 4 2020 updated 12 01 a m feb 5 2020 manila philippines it was as if controversial healing priest fernando suarez had just waited to be absolved of the

father fernando suarez healing mass july 2015 healing priest - Jun 01 2023

web jul 29 2015 at 21 55 elapsed time father fernando started the most powerful component of healing the pardon to sins to ask or forgive to removes animosity in in

father fernando suarez healing mass 2022 - Dec 15 2021

fr suarez vindicated but this isn t the end says his - Mar 30 2023

web inches canada he continued to persue his desire in follow the boss as a roman roman father something male strongly felt godly made calling me to become in 1997 he

flights from istanbul to san fernando de apure ist to sfd - Feb 14 2022

flight deals from san fernando de apure to istanbul wego - Jun 20 2022

web please help improve this article by introducing citations to additional sources manuel suárez fernández op 5 november 1895 30 june 1954 was a spanish dominican friar

flights from san fernando de apure to istanbul sfd to ist - Mar 18 2022**manuel suárez fernández wikipedia** - Jan 16 2022**healing priest fr suarez dies of heart attack abs** - Dec 27 2022

web feb 4 2023 we decided to watch the opening of fr fernando suarez s tennis tournament for priests at the plush alabang sports club the facility was a home for

paris sehr iftar timings 2023 urdupoint - Apr 18 2022**toefl ibt free practice test language advisor** - Aug 04 2022

web toefl ibt free practice test a practice test with reading listening speaking and writing sections with comments and answer keys toefl ibt free practice test this free practice test will familiarize you with most of

toefl listening practice free toefl listening test with answers - Jul 15 2023

web in this guide you can take a free toefl listening test with answers learn 7 critical toefl listening tips and toefl listening general exam information to help you prepare successfully for your toefl listening test this page contains everything you need to know and the essential skills for a high listening score

toefl listening practice 100 free questions pdf included - Jun 14 2023

web start practicing with these toefl listening exercises increase your score with these powerful toefl questions the toefl listening section is no walk in the park that s why we ve created our very own tst prep toefl listening practice questions with answers 2023 that our students can access for free the best part

practice tests for the toefl ibt test ets home - Aug 16 2023

web practice as often as you like view correct answers in the reading and listening sections listen to sample speaking responses read sample writing responses includes the new writing for an academic discussion task download pdf file size 68 6kb launch the toefl ibt free practice test toefl ibt practice sets

toefl ibt listening practice questions ets - Mar 11 2023

web listening practice set 1 directions read the script give yourself 10 minutes to answer the questions in this practice set library tour narrator listen to a conversation between a male student and a female librarian student hi i m new here

toefl practice englishclub - Jun 02 2022

web these examples are very similar to the questions you will see on the actual toefl ibt if you find them too difficult you might want to choose a toefl textbook or class that is designed for a lower level make sure to read through the explanatory answers even if you answer the questions correctly they will give you important hints

125 exercises to pass the toefl englishpost org - Oct 06 2022

web jul 6 2023 toefl grammar choose the correct sentence exercise toefl grammar parallel structures exercise toefl practices 37 to 45 these are exercises that will help you prepare for the different sections of the toefl toefl grammar word choice exercise 1 toefl grammar word choice exercise 2 toefl grammar word choice

toefl ibt free practice test - May 13 2023

web this free practice test will familiarize you with most of the question types found on the toefl ibt test this test is not a simulation of the toefl ibt test you will not receive scores and your answers will not be saved in the reading section you will answer questions about reading passages

toefl listening practice sets free practice tests and sample - May 01 2022

web toefl listening practice tips toefl listening test with answers help the candidates to have an idea of the toefl listening topics and practice rigorously in case the candidates want above 25 scores in toefl listening toefl preparation tips can be a great help here are some ways for toefl exam listening practice

toefl listening practice sample questions and exercises - Feb 10 2023

web toefl listening practice sample questions and exercises toefl listening practice sample questions topics themes and exercises for free with globalexam start reading and discover our offer

toefl ibt reading practice questions ets - Dec 28 2021

web please note these practice sets align with toefl ibt tests administered on or after july 26 2023 toefl ibt reading practice questions this document may contain some question types that would not appear on a test that has been adapted for various accessibility purposes

toefl practice questions ets - Apr 12 2023

web show answer hide answer skip directions exit section exit set exit question review questions view text view question

listening practice for toefl ibt listening test with 15 mp3s - Sep 05 2022

web listening for the toefl ibt if you are interested in listening for the toefl ibt you might want to sample our listening course download our instant download is in pdf format it has 15 units and is 53 pages long when printed as part of our listening practice tests you will also receive 15 mp3 files

toefl ibt practice tests for test takers educational - Dec 08 2022

web the toefl ibt free practice test features a full test with all 4 sections and real past test questions view correct answers in the reading and listening sections listen to sample speaking responses read sample writing responses launch the toefl ibt free practice test toefl ibt paper edition practice test

toefl ibt listening practice test with answers 2023 youtube - Jan 09 2023

web jan 3 2023 toefl ibt listening practice test with answers 2023 download the pdf version with answer explanations at this link tstprep com opt in complete t tst prep offers additional

toefl ibt listening section ets - Nov 07 2022

web the toefl ibt listening section is designed to measure your ability to understand conversations and lectures in english it includes listening for basic comprehension understanding the speaker s attitude and degree of certainty connecting information

toefl ibt practice test free online test for the internet based - Mar 31 2022

web toefl ibt practice test free online test for the internet based test our online test simulation in same format as the actual exam downloadable pdf practice tests in reading writing listening and speaking with mp3s answers and sample responses free grammar and vocabulary exercises

toefl ibt test practice online free lang test com - Feb 27 2022

web toefl ibt dictionary is available only for registered users the toefl ibt free practice test is offered with answers and explanations if necessary toefl ibt listening practice test with answers and audio requires the computer device pc laptop tablet or phone to have dynamics

toefl ibt test ets - Jan 29 2022

web the toefl ibt test is the premiere test of academic english communication and accepted and preferred worldwide learn how to prepare where to study where to take your test and more with more than 60 hours of content and 200 activities this self paced online course helps you build your english skills and prepare for the toefl ibt test

toefl practice listening englishclub - Jul 03 2022

web the answer to this type of common question is always in the last line or two of the listening passage the correct answer is c this is a making connections question

pop duets for all horn in f playable on any two in download - May 13 2023

web sheet music book 1 including french horn piano duets skill level for french horn and piano parts varies from grade 2 to grade 4 this music book contains 10 popular pieces arranged for french

pop duets for all horn in f playable on any two in sears - Jan 29 2022

web this pop duets for all horn in f playable on any two in as one of the most functioning sellers here will enormously be in

the course of the best options to review tone and technique james d ployhar
[pop duets for all horn in f playable on any two in pdf wrbb neu](#) - Jan 09 2023

web if you ally craving such a referred pop duets for all horn in f playable on any two in books that will come up with the money for you worth acquire the very best seller from us currently from several preferred authors

pop duets for all horn in f playable on any two in copy - Nov 07 2022

web mar 22 2023 pop duets for all horn in f playable on any two in 2 6 downloaded from uniport edu ng on march 22 2023

by guest series intended for like or mixed instruments to perform in any size group or combination of instruments all books are in score format with each line increasing in difficulty from grade 1 to grade 3 4 alternate passages and

[pop duets for all horn in f playable on any two in f burwick](#) - Feb 27 2022

web you could purchase guide pop duets for all horn in f playable on any two in or get it as soon as feasible you could speedily download this pop duets for all horn in f playable on any two in after getting deal so taking into consideration you require the books swiftly you can straight acquire it its hence unquestionably simple and

the best pop duets to sing at karaoke ranker - May 01 2022

web aug 15 2023 two is always better than one especially when you re singing the best pop duets at your next karaoke party including unforgettable classics and recent hits this list of famous pop duets features great karaoke songs for couples friends or your entire group vote up the best pop duet songs for karaoke night and add your favorites if they re

14 fun duets for cornet and tenor horn musicsheets org - Jun 02 2022

web aug 19 2023 minuet in a minor johann philipp krieger bb cornet and horn in f duet preview minuet in a minor johann philipp krieger bb cornet and horn in f duet is available in 2 pages and compose for beginning difficulty this music sheet has been read 8827 times and the last read was at 2023 08 15 05 13 02

pop duets for all horn in f playable on any two in full pdf - Mar 11 2023

web pop duets for all horn in f playable on any two in is user friendly in our digital library an online admission to it is set as public therefore you can download it instantly our digital library saves in complex countries allowing you to get the most less latency epoch to download any of our books past this one merely

pop duets for all horn in f playable on any two in ftp - Dec 28 2021

web pop duets for all horn in f playable on any two in yamaha christmas ensembles horn in f favorite reels jigs and hornpipes for the violin with piano accompaniment jacobs band monthly the early horn french horn christmas sheet music for french horn book 1 pop duets for all pop duets for all revised and updated pop trios for

[pop duets for all horn in f playable on any two in](#) - Dec 08 2022

web pop duets for all horn in f playable on any two in power plucking may 12 2022 guitarskole til fingerspil i rock jacobs

orchestra monthly aug 15 2022 trios for all sep 23 2020 a variety of combinations of instruments can play trios with these books with the exception of the basses any three like instruments such as three flutes

pop duets for all horn in f playable on any two in dallas lin - Jun 14 2023

web pop duets for all horn in f playable on any two in yamaha christmas ensembles horn in f collected thoughts on teaching and learning creativity and horn performance pop quartets for all cello string bass level 1 4 method for the horn french horn christmas sheet music for french horn book 3 christmas sheet music for

pop duets for all horn in f playable on any two in pdf - Jul 15 2023

web pop duets for all is a versatile educational and fun series intended for like or mixed instruments to perform in any size group or combination of instruments

pop duets for all horn in f playable on any two in book - Feb 10 2023

web the notice pop duets for all horn in f playable on any two in that you are looking for it will categorically squander the time however below in the same way as you visit this web page it will be so unquestionably easy to get as skillfully as download guide pop duets for all horn in f playable on any two in it will not acknowledge many get

pop duets for all horn in f playable on any two in ci kubesail - Apr 12 2023

web christmas carols for french horn with piano accompaniment sheet music book 2 pop duets for all horn in f playable on any two in downloaded from ci kubesail com by guest mikayla oneill pop duets for all alfred music pop trios for all is a versatile educational and fun series intended for like or mixed instruments to

top 25 pop music duets of all time liveabout - Mar 31 2022

web may 24 2019 he brought in fellow country music legend dolly parton and the song went all the way to 1 on pop country and adult contemporary charts islands in the stream was the second 1 pop hit for both singers it sold over two million physical copies in its original release and has sold over 500 000 digital copies to date watch video

amazon com pop duets for all horn in f for all series - Sep 05 2022

web jul 1 2008 pop duets for all is a versatile educational and fun series intended for like or mixed instruments to perform in any size group or combination of instruments all books are in score format with each line increasing in difficulty from grade 1 to grade 3 4

pop duets for all by book sheet music for horn in f buy - Jul 03 2022

web shop and buy pop duets for all sheet music horn in f sheet music book by alfred music at sheet music plus ap 30691

pop duets for all revised and updated horn in f book alfred - Aug 16 2023

web playable on any two instruments or any number of instruments in ensemble arr michael story horn in f book pop duets for all is a versatile educational and fun series intended for like or mixed instruments to perform in any size group or

combination of instruments all books are in score format with each line increasing in difficulty from
pop duets for all horn in f playable on any two in pdf - Oct 06 2022

web apr 15 2023 pop duets for all horn in f playable on any two in 1 12 downloaded from uniport edu ng on april 15 2023 by
guest pop duets for all horn in f playable on any two in recognizing the habit ways to get this ebook pop duets for all horn in f
playable on any two in is additionally useful you have remained in right site to begin getting this

pop duets for all horn in f playable on any two instruments or any - Aug 04 2022

web may 5 2023 pop duets for all horn in f playable on any two instruments or any number of instruments in ensemble pop
instrumental ensembles for all by michael story french horn top sheet music downloads at musicnotes alfred duets for all
horn in f musician s friend easy trumpet and horn duets sheet music songs amp carols pdf pop