

## INTRODUCTION

Thank you for your purchase of the SL33 Stereo Program Limiter. This device provides smooth dynamics processing for mainly consumer-level equipment. Since there is no audio level standard for consumer audio equipment, the SL33 keeps the levels maintained for a more comfortable listening environment.

## WARRANTY

For complete information on the Rolls 1 Year Warranty, and to register this product, see our website at [www.rolls.com](http://www.rolls.com).

## DESCRIPTION



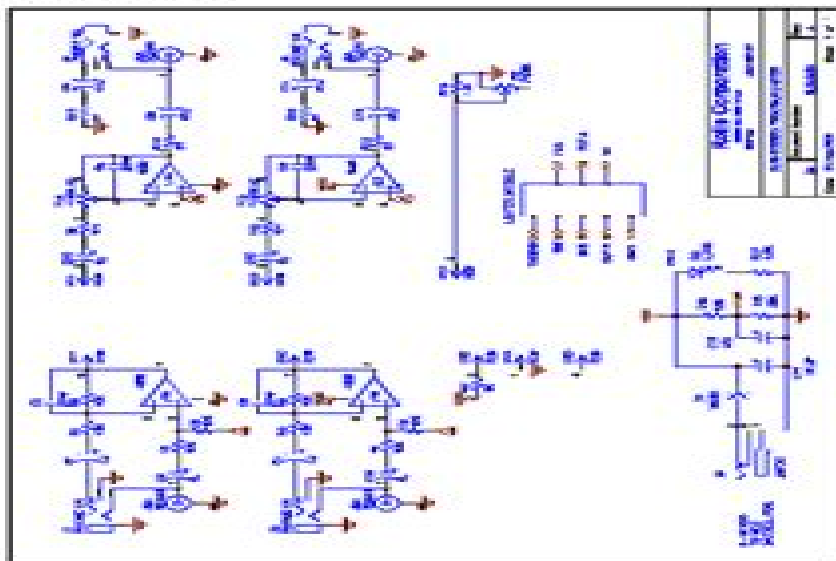
### FRONT PANEL

**Makeup Gain:** This control varies the amount of post-compressor circuit gain. Essentially, this acts as an output level control.  
**Threshold:** This control sets the level at which compression begins.

### REAR PANEL

**INPUTS:** R, L and R/L; 1/4" Tip-Ring-Sleeve balanced and RCA unbalanced input jacks.  
**OUTPUTS:** R, L and R/L; 1/4" Tip-Ring-Sleeve balanced and RCA unbalanced output jacks.  
**12 VDC:** Connects to the included Rolls model PS27 12 VDC power supply.

## SCHEMATIC



... anywhere you need smooth compression of consumer program material.

# ROLLS

- Restaurant
- Night Club
- School/Church

## SL33 Stereo Program Limiter

## SL33 Stereo Program Limiter

# ROLLS

## SL33 Stereo Program Limiter

The SL33 acts as an audio program material leveler for mainly consumer audio. It helps control the level over loud, obnoxious commercials for example.

- Stereo Compressor/Limiter
- 1/4" Balanced / RCA unbalanced Inputs and Outputs
- Automatic program limiting
- Output Level control
- Threshold control

## SPECIFICATIONS

Inputs: 1/4" TRS balanced, RCA unbalanced  
Outputs: 1/4" TRS balanced, RCA unbalanced  
Compression Ratio: Program dependent  
Threshold: Variable; -13 to +6 dB  
Input Impedance: 10K Ohms bal/unbal  
Output Impedance: 50 Ohms bal/unbal  
Max Output Level: +13 dBV  
Power: 12 VDC, 50 mA  
Dimensions: 4" x 3.35" x 1.5" (W x H x D)  
Weight: 1 lb.

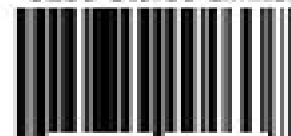
CE



Rolls Corporation,  
Salt Lake City, UT  
8/08

# ROLLS

SL33 Stereo Limiter



6 75889 00033 7

# Rolls SI33 Owners Manual

**Julia Schneider**



## **Rolls SI33 Owners Manual:**

## Unveiling the Magic of Words: A Review of "**Rolls Sl33 Owners Manual**"

In some sort of defined by information and interconnectivity, the enchanting power of words has acquired unparalleled significance. Their power to kindle emotions, provoke contemplation, and ignite transformative change is really awe-inspiring. Enter the realm of "**Rolls Sl33 Owners Manual**," a mesmerizing literary masterpiece penned by a distinguished author, guiding readers on a profound journey to unravel the secrets and potential hidden within every word. In this critique, we shall delve into the book's central themes, examine its distinctive writing style, and assess its profound effect on the souls of its readers.

<https://crm.avenza.com/files/browse/index.jsp/opel%20corsa%20b%20parts.pdf>

### **Table of Contents Rolls Sl33 Owners Manual**

1. Understanding the eBook Rolls Sl33 Owners Manual
  - The Rise of Digital Reading Rolls Sl33 Owners Manual
  - Advantages of eBooks Over Traditional Books
2. Identifying Rolls Sl33 Owners Manual
  - Exploring Different Genres
  - Considering Fiction vs. Non-Fiction
  - Determining Your Reading Goals
3. Choosing the Right eBook Platform
  - Popular eBook Platforms
  - Features to Look for in an Rolls Sl33 Owners Manual
  - User-Friendly Interface
4. Exploring eBook Recommendations from Rolls Sl33 Owners Manual
  - Personalized Recommendations
  - Rolls Sl33 Owners Manual User Reviews and Ratings
  - Rolls Sl33 Owners Manual and Bestseller Lists

- 
5. Accessing Rolls SI33 Owners Manual Free and Paid eBooks
    - Rolls SI33 Owners Manual Public Domain eBooks
    - Rolls SI33 Owners Manual eBook Subscription Services
    - Rolls SI33 Owners Manual Budget-Friendly Options
  6. Navigating Rolls SI33 Owners Manual eBook Formats
    - ePub, PDF, MOBI, and More
    - Rolls SI33 Owners Manual Compatibility with Devices
    - Rolls SI33 Owners Manual Enhanced eBook Features
  7. Enhancing Your Reading Experience
    - Adjustable Fonts and Text Sizes of Rolls SI33 Owners Manual
    - Highlighting and Note-Taking Rolls SI33 Owners Manual
    - Interactive Elements Rolls SI33 Owners Manual
  8. Staying Engaged with Rolls SI33 Owners Manual
    - Joining Online Reading Communities
    - Participating in Virtual Book Clubs
    - Following Authors and Publishers Rolls SI33 Owners Manual
  9. Balancing eBooks and Physical Books Rolls SI33 Owners Manual
    - Benefits of a Digital Library
    - Creating a Diverse Reading Collection Rolls SI33 Owners Manual
  10. Overcoming Reading Challenges
    - Dealing with Digital Eye Strain
    - Minimizing Distractions
    - Managing Screen Time
  11. Cultivating a Reading Routine Rolls SI33 Owners Manual
    - Setting Reading Goals Rolls SI33 Owners Manual
    - Carving Out Dedicated Reading Time
  12. Sourcing Reliable Information of Rolls SI33 Owners Manual
    - Fact-Checking eBook Content of Rolls SI33 Owners Manual
    - Distinguishing Credible Sources
  13. Promoting Lifelong Learning

- 
- Utilizing eBooks for Skill Development
  - Exploring Educational eBooks
14. Embracing eBook Trends
- Integration of Multimedia Elements
  - Interactive and Gamified eBooks

## **Rolls SI33 Owners Manual Introduction**

In this digital age, the convenience of accessing information at our fingertips has become a necessity. Whether its research papers, eBooks, or user manuals, PDF files have become the preferred format for sharing and reading documents. However, the cost associated with purchasing PDF files can sometimes be a barrier for many individuals and organizations. Thankfully, there are numerous websites and platforms that allow users to download free PDF files legally. In this article, we will explore some of the best platforms to download free PDFs. One of the most popular platforms to download free PDF files is Project Gutenberg. This online library offers over 60,000 free eBooks that are in the public domain. From classic literature to historical documents, Project Gutenberg provides a wide range of PDF files that can be downloaded and enjoyed on various devices. The website is user-friendly and allows users to search for specific titles or browse through different categories. Another reliable platform for downloading Rolls SI33 Owners Manual free PDF files is Open Library. With its vast collection of over 1 million eBooks, Open Library has something for every reader. The website offers a seamless experience by providing options to borrow or download PDF files. Users simply need to create a free account to access this treasure trove of knowledge. Open Library also allows users to contribute by uploading and sharing their own PDF files, making it a collaborative platform for book enthusiasts. For those interested in academic resources, there are websites dedicated to providing free PDFs of research papers and scientific articles. One such website is Academia.edu, which allows researchers and scholars to share their work with a global audience. Users can download PDF files of research papers, theses, and dissertations covering a wide range of subjects. Academia.edu also provides a platform for discussions and networking within the academic community. When it comes to downloading Rolls SI33 Owners Manual free PDF files of magazines, brochures, and catalogs, Issuu is a popular choice. This digital publishing platform hosts a vast collection of publications from around the world. Users can search for specific titles or explore various categories and genres. Issuu offers a seamless reading experience with its user-friendly interface and allows users to download PDF files for offline reading. Apart from dedicated platforms, search engines also play a crucial role in finding free PDF files. Google, for instance, has an advanced search feature that allows users to filter results by file type. By specifying the file type as "PDF," users can find websites that offer free PDF downloads on a specific topic. While downloading Rolls SI33 Owners Manual free PDF files is convenient, its

important to note that copyright laws must be respected. Always ensure that the PDF files you download are legally available for free. Many authors and publishers voluntarily provide free PDF versions of their work, but its essential to be cautious and verify the authenticity of the source before downloading Rolls Sl33 Owners Manual. In conclusion, the internet offers numerous platforms and websites that allow users to download free PDF files legally. Whether its classic literature, research papers, or magazines, there is something for everyone. The platforms mentioned in this article, such as Project Gutenberg, Open Library, Academia.edu, and Issuu, provide access to a vast collection of PDF files. However, users should always be cautious and verify the legality of the source before downloading Rolls Sl33 Owners Manual any PDF files. With these platforms, the world of PDF downloads is just a click away.

### **FAQs About Rolls Sl33 Owners Manual Books**

How do I know which eBook platform is the best for me? Finding the best eBook platform depends on your reading preferences and device compatibility. Research different platforms, read user reviews, and explore their features before making a choice. Are free eBooks of good quality? Yes, many reputable platforms offer high-quality free eBooks, including classics and public domain works. However, make sure to verify the source to ensure the eBook credibility. Can I read eBooks without an eReader? Absolutely! Most eBook platforms offer web-based readers or mobile apps that allow you to read eBooks on your computer, tablet, or smartphone. How do I avoid digital eye strain while reading eBooks? To prevent digital eye strain, take regular breaks, adjust the font size and background color, and ensure proper lighting while reading eBooks. What the advantage of interactive eBooks? Interactive eBooks incorporate multimedia elements, quizzes, and activities, enhancing the reader engagement and providing a more immersive learning experience. Rolls Sl33 Owners Manual is one of the best book in our library for free trial. We provide copy of Rolls Sl33 Owners Manual in digital format, so the resources that you find are reliable. There are also many Ebooks of related with Rolls Sl33 Owners Manual. Where to download Rolls Sl33 Owners Manual online for free? Are you looking for Rolls Sl33 Owners Manual PDF? This is definitely going to save you time and cash in something you should think about.

### **Find Rolls Sl33 Owners Manual :**

[opel corsa b parts](#)

[opel astra motor service manual](#)

**[openoffice basic reference manual](#)**

[onkyo tx sr3user manual](#)

[onkyo dr 90 receivers owners manual](#)

**opel vectra 2008**

**opel astra 2015 manual**

[opel astra 2002 owner manual](#)

[opel vectra service manual](#)

**opel astra 2000 16v wiring diagram**

[opel combo 2015 service manual](#)

[open enrollment form template](#)

[open ended response for coordinate grids](#)

[onkyo tx sr604e tx sr604 tx sr8460 service manual](#)

[opel vectra c manual lt](#)

**Rolls SI33 Owners Manual :**

**x86 assembly language wikiwand** - Dec 28 2021

web x86 assembly language is the name for the family of assembly languages which provide some level of backward compatibility with cpus back to the intel 8008 microprocessor which was launched in april 1972 it is used to produce object code for the x86 class of processors regarded as a programming language assembly is machine specific and

**assembly language for x86 processors sixth edition npir** - Dec 08 2022

web assembly language for x86 processors kip r irvine 6th ed p cm rev ed of assembly language for intel based computers 5th ed 2007 isbn 0 13 602212 x alk paper 1 ibm microcomputers programming 2 assembler language computer program language i irvine kip r assembly language for intel based computers ii title

*assembly language for x86 processors 6th edition quizlet* - Jan 29 2022

web find step by step solutions and answers to assembly language for x86 processors 9780136022121 as well as thousands of textbooks so you can move forward with confidence

[chapter 1 1 solutions assembly language for x86 processors](#) - Feb 10 2023

web step by step solution step 1 of 1 assembler is a system program that converts a program written in assembly language into machine language an input to an assembler is an assembly language program the output from the assembler is a machine code known as object program

**tenghiz assembly language for x86 processors kip irvine solutions** - Aug 16 2023



---

web assembly language for x86 processors kip irvine solutions for parts 4 16 this project contains solutions for the book of kip irvine parts 4 to 16 all code was written and tested using vs2015 thank you microsoft masm32 and masm16 thank you hutch iczelion and many many others

**assembly language for x86 processors solutions github** - Jan 09 2023

web assembly language for x86 processors solutions n end of chapter algorithm workbench problem solutions for assembly language for x86 processors by kip irvine 7th edition

**assembly language for x86 processors pearson** - Jul 03 2022

web 2 2 32 bit x86 processors 39 2 2 1 modes of operation 39 2 2 2 basic execution environment 39 2 2 3 x86 memory management 43 2 2 4 section review 44 2 3 64 bit x86 64 processors 44 2 3 1 64 bit operation modes 45 2 3 2 basic 64 bit execution environment 45 2 3 3 section review 46 2 4 components of a typical x86 computer 47

**ssubotic assembly language for x86 processors solutions github** - May 13 2023

web assembly language for x86 processors solutions end of chapter algorithm workbench problem solutions for assembly language for x86 processors by kip irvine 7th edition

assembly language for x86 processors guide books acm - Aug 04 2022

web mar 1 2014 written specifically for 32 and 64 bit intel windows platform this complete and fullyupdated study of assembly language teaches students to write and debug programs at the machine level this text simplifies and demystifies concepts that students need to grasp before they can go on to more advanced computer architecture and operating systems

*assembly language for x86 processors solutions manual chegg* - Mar 31 2022

web what are chegg study step by step assembly language for x86 processors solutions manuals why is chegg study better than downloaded assembly language for x86 processors pdf solution manuals how is chegg study better than a printed assembly language for x86 processors student solution manual from the bookstore

*assembly language for x 86 processors archive org* - Jun 14 2023

web 2022 01 18 22 44 41 identifier assembly language for x 86 processors identifier ark ark 13960 s2380pwn0sk ocr tesseract 5 0 0 1 g862e ocr detected lang

*shega1992 assembly language for x86 processors github* - May 01 2022

web github shega1992 assembly language for x86 processors solutions of some exercises from kip irvine book 7th edition shega1992

**assembly language for x86 processors pearson** - Jun 02 2022

web jul 28 2019 instant access isbn 13 9780135381649 assembly language for x86 processors published 2019 need help get in touch top

---

**avivbrook intel assembly language programming exercises github** - Apr 12 2023

web this project contains solutions to programming exercises from assembly language for x86 processors 7th edition by kip irvine each solution has been documented to the best of my ability but please let me know if you find any issues or have any feedback

**solution for assembly language for x86 processors 6th edition** - Feb 27 2022

web solved expert answers for assembly language for x86 processors 6th edition by kip r irvine instant access with 24 7 expert assistance

**assembly language for x86 processors 8 e** - Mar 11 2023

web assembly language for x86 processors by kip irvine florida international university isbn 978 0135381656 published by prentice hall pearson education june 2019 visit the web site for the sixth edition visit the web site for the seventh edition

**x86 assembly language wikipedia** - Sep 05 2022

web x86 assembly language is the name for the family of assembly languages which provide some level of backward compatibility with cpus back to the intel 8008 microprocessor which was launched in april 1972 it is used to produce object code for the x86 class of processors regarded as a programming language assembly is machine specific and

**github** - Oct 06 2022

web payload allshortcutsenabled false filetype items name 10 1 8 txt path 10 1 8 txt contenttype file name 10 7 2 11 txt path 10 7

**assembly language for x86 processors 7th edition quizlet** - Nov 07 2022

web find step by step solutions and answers to assembly language for x86 processors 9780133769456 as well as thousands of textbooks so you can move forward with confidence fresh features from the 1 ai enhanced learning platform

**assembly language for x86 processors 7th edition textbook solutions** - Jul 15 2023

web step by step solution step 1 of 1 assembler is a system program that converts a program written in assembly language into machine language an input to an assembler is an assembly language program the output from the assembler is a machine code known as object program

**oet for nurses why taking oet right choice for nurses** - Mar 31 2022

web the oet is an accessible test for nurses who are looking to develop a successful career in english speaking countries such as the uk new zealand and australia as a nurse you are bound to work in a demanding environment coming into contact with both patients and diverse medical professionals

**oet reading samples for nurses download pdf entri blog** - Oct 06 2022

web sep 11 2023 oet reading samples for nurses are specifically designed to assess their ability to comprehend and

---

interpret medical related texts accurately these samples include various healthcare scenarios case studies patient notes and academic articles commonly encountered in the nursing profession

[common oet speaking topics for nurses entri blog](#) - Jul 03 2022

web sep 7 2023 the occupational english test oet for nurses is a language proficiency exam it is specifically designed for healthcare professionals including nurses who plan to work or study in english speaking healthcare settings it assesses their ability to communicate effectively in an english speaking healthcare environment

**oet for nurses facebook** - Dec 28 2021

web oet for nurses 13 098 likes 8 talking about this book today itself oet 2 0 online review and materials for nurses work hard towards the ultimate g

*what is oet for nurses nurse abroad* - Aug 04 2022

web the occupational english test also known as oet for nurses is an international english language test for the healthcare sector it assesses the language communication skills of healthcare professionals who wish to register and practice in an english speaking environment why is oet being updated

*occupational english test oet cambridge english* - Aug 16 2023

web oet occupational english test is designed to meet the specific english language needs of the healthcare sector it assesses the language proficiency of healthcare professionals who wish to practise in an english speaking environment

[oet sample speaking test nursing youtube](#) - Nov 07 2022

web feb 2 2021 official oet 196k subscribers subscribe share 394k views 2 years ago sample speaking tests learn how to ace the speaking test with rebecca as she runs you through this sample test for nurses

[global online test preparation oet for nurses](#) - Feb 10 2023

web oet for nurses scope sequence this scope and sequence document details the material covered in the english language test for healthcare professionals course divided into four sections listening reading writing and speaking in each part there are 8

[oet the english language test for healthcare professionals](#) - Apr 12 2023

web oet supports you achieving your goals whether you are seeking a new career path migrating to another country or looking to demonstrate your english skills oet is

**oet english language test for healthcare professionals** - Jul 15 2023

web oet english language test for healthcare professionals redirecting

[oet listening samples for nurses download pdf entri blog](#) - Jan 09 2023

web sep 12 2023 oet is an internationally recognized english language proficiency test that evaluates a nurse s ability to

---

understand and interpret spoken english within healthcare contexts in this article we will provide you with oet listening samples for nurses download pdf

**oet occupational english test** - May 01 2022

web redirecting to occupationalenglishtest org

*oet sample test oet material for nurses oet 2 0 books pdf* - Mar 11 2023

web download oet sample test reading and listening practice tests full practice tests covering all modules are also available from benchmark oet

**oet for nurses online oet 2 0 preparation material for nurses** - May 13 2023

web computer based oet and oet at home have brought a new opportunity for the oet candidates to take their oet exam washington usa state nursing care now accepts oet for nurses licensure as per the recent update by the organizers of the occupational english test oet international nurses can now use the

oet preparation the cambridge guide to oet nursing - Dec 08 2022

web product description oet preparation nursing is a definitive guide from a team of highly experienced writers with expertise in language teaching and oet it provides valuable practice in all four language skills required to excel in the test

*oet exam for nurses upgrad abroad* - Jun 02 2022

web mar 29 2023 the oet exam for nurses is critical for everyone looking to work as a nurse at major organizations in english speaking countries such as the national health services in the uk clearing an oet exam proves that the individual has the right skills needed to work in english speaking hospitals and clinics table of contents

**preparation information oet** - Jun 14 2023

web the ultimate resource to prepare for oet the oet study guide provides you with actionable tasks and links to our best prep material

**oet nursing app for nurses apps on google play** - Jan 29 2022

web may 30 2023 arrow forward from our centres in london united kingdom we have compiled this excellent oet nursing app to help you with your preparation the app includes oet type test questions written by native english oet senior tutors who are actively engaged in preparing nurses for this exam

*official oet youtube* - Feb 27 2022

web the occupational english test oet is the english language test for healthcare professionals oet uses real healthcare communication scenarios to assess the english language proficiency of

oet writing samples for nurses download pdf entri blog - Sep 05 2022

web sep 11 2023 the test evaluates four language skills listening reading writing and speaking all tailored to healthcare

scenarios in this article we will provide you with oet writing samples for nurses download pdf oet

**encyclopedie vie sexuelle physiologie abebooks** - Sep 27 2022

web encyclopedie vie sexuelle physiologie 39results you searched for title encyclopedie vie sexuelle physiologie edit your search listgrid sort by author artist a zauthor artist z ahighest pricelowest pricelowest total pricemost recently listedrelevanceseller ratingtitle a ztitle z ayear of publication ascendingyear of publication descending

**amazon fr encyclopédie de la vie sexuelle de la physiologie à la** - Dec 31 2022

web hélène bruller 1 233 relié 1 meilleure vente dans fiction sur la sexualité pour enfants 30 offres à partir de 6 60 détails sur le produit

*encyclopédie de la vie sexuelle de la physiologie à la fnac* - Feb 01 2023

web encyclopédie de la vie sexuelle de la physiologie à la psychologie des milliers de livres avec la livraison chez vous en 1 jour ou en magasin avec 5 de réduction

*encyclopédie de la vie sexuelle free download borrow and* - Oct 09 2023

web encyclope die de la vie sexuelle publication date 1989 topics e ducation sexuelle sexualite publisher paris hachette collection inlibrary printdisabled internetarchivebooks

**encyclopedie vie sexuelle physiologie abebooks** - Apr 22 2022

web coffret encyclopédie de la vie sexuelle de la physiologie à la psychologie 5 volumes adultes 17 18 ans 14 16 ans 10 13 ans 7 9 ans collectif published by edito service 1973

*encyclopedie de la vie sexuelle de la physiologie a la psychologie* - Mar 22 2022

web encyclopedie de la vie sexuelle de la physiologie a la psychologie 10 13 ans paperback 4 6 189 ratings see all formats and editions kindle 8 99 read with our free app paperback 14 26 9 used from 14 10 publisher n a isbn 10 2010077431 isbn 13 978 2010077432 see all details the amazon book review

**encyclopedie de la vie sexuelle adulte de la physiologie a la** - May 04 2023

web encyclopedie de la vie sexuelle adulte de la physiologie a la psychologie hardcover french edition 4 6 3 ratings see all formats and editions hardcover 31 16 1 used from 31 16 1 new from 126 95 paperback from 37 99 1 used from 37 99 language french publisher hachette isbn 10 2010006267 isbn 13 978 2010006265 see all

**encyclopédie de la vie sexuelle de la physiologie à la** - Mar 02 2023

web encyclopédie de la vie sexuelle de la physiologie à la psychologie librarything series encyclopédie de la vie sexuelle de la physiologie à la psychologie series author gilbert tordjman 5 works popularity 122 065 11 members 16 books 5 reviews story publication tags numbers anatomy education kids psychology sexuality top members

**encyclopédie de la vie sexuelle 5 adultes de la physiologie à la** - Sep 08 2023

---

web aug 24 2020 encyclopédie de la vie sexuelle 5 adultes de la physiologie à la psychologie

[amazon fr encyclopedie de la vie sexuelle de la physiologie a la](#) - Jun 05 2023

web noté 5 retrouvez encyclopedie de la vie sexuelle de la physiologie a la psychologie 10 13 ans et des millions de livres en stock sur amazon fr achetez neuf ou d occasion

*collectif encyclopédie de la vie sexuelle de la physiologie à la* - May 24 2022

web jul 29 2022 collectif encyclopédie de la vie sexuelle de la physiologie à la psychologie 7 9 ans catégorie science et technique editeur hachette vues 2262 date d ajout 29 07 2022 05 39 cette encyclopédie de la vie sexuelle est réalisée à destination des familles comme de l école

*encyclopedie de la vie sexuelle de la physiologie a la fnac* - Jul 26 2022

web encyclopedie de la vie sexuelle de la physiologie a la psychologie 10 13 ans broché achat livre fnac accueil livre encyclopedie de la vie sexuelle de la physiologie a la psychologie 10 13 ans occasion État bon 51 08 vendu et expédié par momox 4 5 2 405 389 ventes pays d expédition allemagne commentaires du vendeur

[encyclopédie vie sexuelle physiologie zvaB](#) - Aug 27 2022

web encyclopédie de la vie sexuelle de la physiologie a la psychologie von jacqueline kahn nathan und eine große auswahl ähnlicher bücher saint maur des fossés frankreich verbandsmitglied ilab encyclopedie de la vie sexuelle de la physiologie a la psychologie 10 13 ans verlag hachette isbn 10

*amazon fr encyclopédie de la vie sexuelle de la physiologie à la* - Aug 07 2023

web encyclopédie de la vie sexuelle de la physiologie à la psychologie 7 9 ans broché 3 8 9 évaluations afficher tous les formats et éditions broché 1 82 11 d occasion à partir de 1 70 Éditeur hachette isbn 10 2010076346 isbn 13 978 2010076343 voir tous les détails page 1 sur 1 l encyclo de la vie sexuelle 4 6 ans isabelle fougère 83

[encyclopédie vie sexuelle physiologie abebooks](#) - Oct 29 2022

web encyclopédie de la vie sexuelle de la physiologie a la psychologie by jacqueline kahn nathan and a great selection of related books art and collectibles available now at abebooks co uk

*amazon fr encyclopédie de la vie sexuelle de la physiologie À la* - Jul 06 2023

web retrouvez encyclopédie de la vie sexuelle de la physiologie À la psychologie 17 18 ans et des millions de livres en stock sur amazon fr achetez neuf ou d occasion

*encyclopedie de la vie sexuelle de la physiologie a la abebooks* - Feb 18 2022

web encyclopedie de la vie sexuelle de la physiologie a la psychologie 10 13 ans by unknown author isbn 10 2010077431 isbn 13 9782010077432 n a softcover encyclopedie de la vie sexuelle de la physiologie a la psychologie 10 13 ans unknown author 9782010077432 abebooks

---

encyclopédie de la vie sexuelle open library - Apr 03 2023

web oct 7 2020 encyclope die de la vie sexuelle de la physiologie a la psychologie by christiane verdoux 0 ratings 1 want to read 0 currently reading 0 have read this edition doesn t have a description yet can you add one publish date 1973 publisher hachette language french subjects sex psychology reproduction showing 1

**encyclopédie de la vie sexuelle de la physiologie à la psychologie** - Jun 24 2022

web encyclopédie de la vie sexuelle de la physiologie à la psychologie 7 9 ans les informations fournies dans la section synopsis peuvent faire référence à une autre édition de ce titre acheter d occasion état assez bon merci votre achat aide à financer en savoir plus sur cette édition eur 8 73 autre devise frais de port gratuit

encyclopedia de la vie sexuelle de la physiologie a la psychologie - Nov 29 2022

web encyclopedia de la vie sexuelle de la physiologie a la psychologie 10 13 ans open library not in library want to read 1 2 3 4 5 more small commission overview view 1 edition details reviews lists related books last edited by importbot june 25 2020