

LAND CRUISER / LAND CRUISER

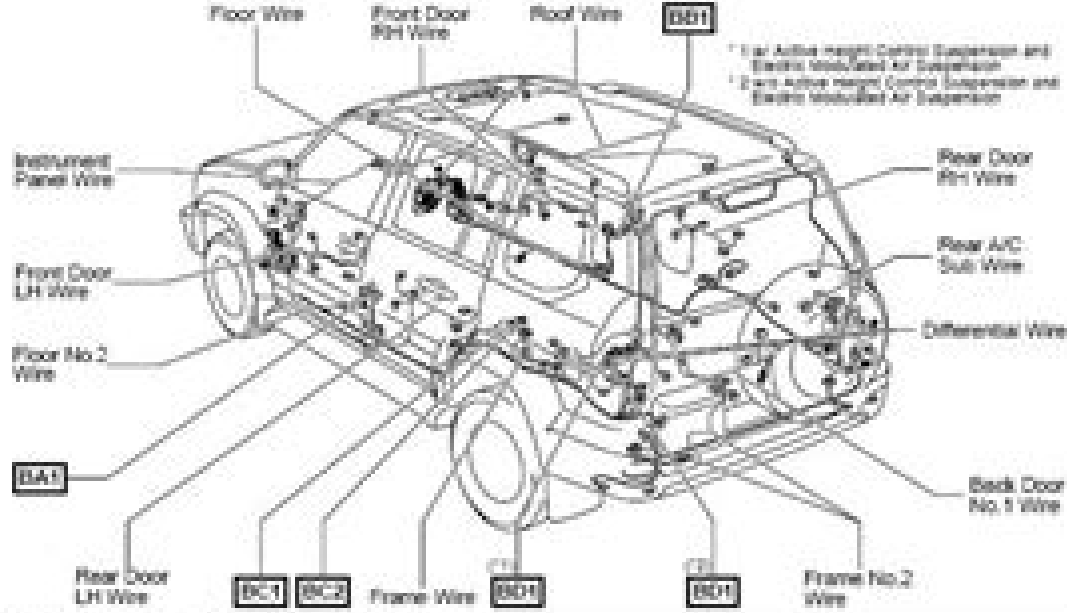
- ▶ New Car Features
- ▶ New Car Features (2003.1 -)
- ▶ New Car Features (2004.8 -)
- ▶ Repair Manual
- ▶ Engine Repair Manual [1GR-FE]
- ▶ Engine Repair Manual [3RZ-FE]
- ▶ Engine Repair Manual [2TR-FE]
- ▶ Engine Repair Manual [1KZ-TE]
- ▶ Engine Repair Manual [1KD-FTV] (- 2004)
- ▶ Engine Repair Manual [1KD-FTV] (2004.8 -)
- ▶ Engine Repair Manual [5L-E]
- ▶ MT Repair Manual [G52]
- ▶ MT Repair Manual [W56]
- ▶ MT Repair Manual [R150F]
- ▶ MT Repair Manual [R461F]
- ▶ A/T Repair Manual [A343F]
- ▶ A/T Repair Manual [A750F]
- ▶ Electrical Wiring Diagram
 - INTRODUCTION
 - HOW TO USE THIS MANUAL
 - TROUBLESHOOTING
 - ABBREVIATIONS
 - GLOSSARY OF TERMS AND SYMBOLS
 - RELAY LOCATIONS
 - ELECTRICAL WIRING ROUTING (Parts)
 - ELECTRICAL WIRING ROUTING (W/W, G/P, S/P)
 - ▶ LHD-Engine Compartment
 - ▶ LHD-Instrument Panel
 - 2002.9 - 2004.7
 - 2004.8 -
 - ▶ LHD-Body
 - ▶ RHD-Engine Compartment
 - ▶ RHD-Instrument Panel
 - ▶ RHD-Body
 - 5-Door (2002.9 - 2004.7)
 - 5-Door (2004.8 -)
 - 3-Door (2002.9 - 2004.7)
 - 3-Door (2004.8 -)
 - ▶ SYSTEM CIRCUITS (2002.9 -)
 - ▶ Ground Points (2002.9 -)

Navigation icons: Print, Save, Home, Back, Forward, 1 / 1, Refresh, 60%, Find

E ELECTRICAL WIRING ROUTING

□ : Location of Connector Joining Wire Harness and Wire Harness

[RHD : 5-Door]



* 1 for Active Height Control Suspension and Electric Inboard Air Suspension
 * 2 for Active Height Control Suspension and Electric Inboard Air Suspension

▽ : Location of Ground Points



Prado D4d Service Manual

Camilla Rothe



Prado D4d Service Manual:

Toyota Prado 1996-2008 Automobile Repair Manual Max Ellery, 2004-10-16 This comprehensive manual covers the complete Toyota Prado range of vehicles Detailed engine chapters covering all petrol gasoline and diesel engines It also covers the Hilux 4 Runner and Surf mechanicals Detailed comprehensive chapters cover the complete range of transmissions The manual also covers all other aspects of the vehicle from changing a light globe through to complete vehicle pull down YComprehensive chapters covering diagnostics and troubleshooting and also includes complete electrical wiring diagrams for the entire vehicle This comprehensive manual consists of over 500 pages of step by step instructions which will suite the DIY handyman through to the professional mechanic **Prado 4WD Service & Repair Manual 1996-2009** ,2010

Toyota Prado 1996-2006 Hilux, 4 Runner & Surf Mechanicals Max Ellery, 2006 *Toyota Prado Automotive Repair Manual* Jeff Killingsworth, John Harold Haynes, 2006-01-01 *Toyota Prado Automotive Repair Manual* Jeff

Killingsworth, John Harold Haynes, 2011-07-01 Series 95 120 4 6 cylinder engines with 2 7L 3 4L 4 0L petrol 3 0L diesel

Toyota Prado 1996-2004, Hilux, 4 Runner & Surf Mechanicals, Petrol/gasoline and Diesel Engines Including Turbo Max Ellery, 1999 *Detailed Instructions for Repair Toyota Prado 120 in Pictures*. Nigel Oneal, 2016-10-23 Car Land Cruiser Prado manufactured by Toyota since 1987 The cost of the car was not small but comfortable ride excellent off road performance and build quality have made the car very popular The second generation of the family Toyota began to produce in 1996 The car was named the Toyota Prado 90 Repair and maintenance of cars were also held in firm service centers throughout Japan as well as beyond its borders Toyota Prado 90 gained increasing popularity in other countries The third generation of the family of Prado was released in 2002 today it is the most common brands of cars Toyota Prado This generation has been called the Toyota Prado 120 Repair and maintenance of these cars a very common practice in technical centers worldwide In European countries this car is referred to as a Toyota Land Cruiser Prado 120 Repair and maintenance of Toyota Prado a significant item of expenditure of a happy owner of a passenger car To save on these expenses will help you this book Timely independent repair and diagnostics eliminate costly repairs Toyota Land Cruiser 120 You trust car services to which you give your car for repair After you take away the car from repair you had no thoughts that work has been made not qualitatively or has not been made in general though money has been paid for repair How you define oil in transmission or the gearbox has been replaced Agree such thoughts can arise at any especially if your car it is not clear for what detained at service station If you thought of it if you like to support and repair independently the car this book means to you To read special books on car repairs likely and it will be useful But to see all process of repair and to independently repeat it it can be more convenient Generally all volume of information in this book repair in pictures This is the first a book about Toyota Land Cruiser Prado 120 but I plan to continue to illuminate the repair and improvement for my favorite car Table of contents Toyota Land Cruiser Prado 120 We correct fogging of intake manifold To reach nozzles it is

necessary to remove plastic casing from the engine To remove the air filter We disconnect intake manifold and we remove it we remove fuel supply line with nozzles The aluminum part of collector consists of two parts For collector we buy new sealing gaskets Left and right Toyota Land Cruiser Prado 120 Replacement of oil in Automatic transmission Toyota Land Cruiser Prado 120 Automatic transmission oil replacement We install the new filter We fill with automatic transmission oil Toyota Land Cruiser Prado 120 Replacement of Oil in the Engine the Reducer and the steering booster Toyota Land Cruiser Prado 120 audit starter Tension and intermediate rollers Changing the rear disc brake pad and do an audit of the fingers in the brackets Eliminating vibration in the front brakes Replacement of the fuel filter Replacing the cabin filter *D4D Tractor* ,1967* Prado 90, 95 Series, V6 Petrol ,2000 Direct and General Support Maintenance Manual ,1971 *Toyota Manual Transmission* ,1984 *Service Manual* Diamond T Motor Car Company. Service Dept,1948 *Mistubishi Jeep Diesel English Service Manual 4DR5* James Danko,2009-03-03 Complete factory style service manual for Mitsubishi Jeeps produced in Japan This manual covers both Military Civilian versions of domestic and export versions Complete rebuild of you engine and turbocharger if equipped Easy to use diagrams and full specification guide Rebuild your engine Fuel Injection timing gears starter alternator and more This book is a must for the Mitsubishi Jeep owner All written in English *Service Manual* Packard Motor Car Company,1956 **Series 53 Service Manual** Detroit Diesel Corporation,1990 *Defender: Data and maintenance, Engine and engine systems. Vol 2. Transmission, Chassis and body, Air conditioning and electrical equipment* ,1993 **Gray & Davis Service Manual** American Bureau of Engineering, Inc,1920 **Series 92 Service Manual** Detroit Diesel Corporation,1988 Service Manual for the Doctor of Motors D.D. Minshall,1973 Service Manual for the Doctor of Motors Nash-Kelvinator Corporation. Nash Motors Division,1946*

Discover tales of courage and bravery in Crafted by is empowering ebook, Stories of Fearlessness: **Prado D4d Service Manual** . In a downloadable PDF format (PDF Size: *), this collection inspires and motivates. Download now to witness the indomitable spirit of those who dared to be brave.

<https://crm.avenza.com/results/publication/index.jsp/non%20chronological%20report%20brazil.pdf>

Table of Contents Prado D4d Service Manual

1. Understanding the eBook Prado D4d Service Manual
 - The Rise of Digital Reading Prado D4d Service Manual
 - Advantages of eBooks Over Traditional Books
2. Identifying Prado D4d Service Manual
 - Exploring Different Genres
 - Considering Fiction vs. Non-Fiction
 - Determining Your Reading Goals
3. Choosing the Right eBook Platform
 - Popular eBook Platforms
 - Features to Look for in an Prado D4d Service Manual
 - User-Friendly Interface
4. Exploring eBook Recommendations from Prado D4d Service Manual
 - Personalized Recommendations
 - Prado D4d Service Manual User Reviews and Ratings
 - Prado D4d Service Manual and Bestseller Lists
5. Accessing Prado D4d Service Manual Free and Paid eBooks
 - Prado D4d Service Manual Public Domain eBooks
 - Prado D4d Service Manual eBook Subscription Services
 - Prado D4d Service Manual Budget-Friendly Options
6. Navigating Prado D4d Service Manual eBook Formats

- ePub, PDF, MOBI, and More
 - Prado D4d Service Manual Compatibility with Devices
 - Prado D4d Service Manual Enhanced eBook Features
7. Enhancing Your Reading Experience
 - Adjustable Fonts and Text Sizes of Prado D4d Service Manual
 - Highlighting and Note-Taking Prado D4d Service Manual
 - Interactive Elements Prado D4d Service Manual
 8. Staying Engaged with Prado D4d Service Manual
 - Joining Online Reading Communities
 - Participating in Virtual Book Clubs
 - Following Authors and Publishers Prado D4d Service Manual
 9. Balancing eBooks and Physical Books Prado D4d Service Manual
 - Benefits of a Digital Library
 - Creating a Diverse Reading Collection Prado D4d Service Manual
 10. Overcoming Reading Challenges
 - Dealing with Digital Eye Strain
 - Minimizing Distractions
 - Managing Screen Time
 11. Cultivating a Reading Routine Prado D4d Service Manual
 - Setting Reading Goals Prado D4d Service Manual
 - Carving Out Dedicated Reading Time
 12. Sourcing Reliable Information of Prado D4d Service Manual
 - Fact-Checking eBook Content of Prado D4d Service Manual
 - Distinguishing Credible Sources
 13. Promoting Lifelong Learning
 - Utilizing eBooks for Skill Development
 - Exploring Educational eBooks
 14. Embracing eBook Trends
 - Integration of Multimedia Elements
 - Interactive and Gamified eBooks

Prado D4d Service Manual Introduction

In the digital age, access to information has become easier than ever before. The ability to download Prado D4d Service Manual has revolutionized the way we consume written content. Whether you are a student looking for course material, an avid reader searching for your next favorite book, or a professional seeking research papers, the option to download Prado D4d Service Manual has opened up a world of possibilities. Downloading Prado D4d Service Manual provides numerous advantages over physical copies of books and documents. Firstly, it is incredibly convenient. Gone are the days of carrying around heavy textbooks or bulky folders filled with papers. With the click of a button, you can gain immediate access to valuable resources on any device. This convenience allows for efficient studying, researching, and reading on the go. Moreover, the cost-effective nature of downloading Prado D4d Service Manual has democratized knowledge. Traditional books and academic journals can be expensive, making it difficult for individuals with limited financial resources to access information. By offering free PDF downloads, publishers and authors are enabling a wider audience to benefit from their work. This inclusivity promotes equal opportunities for learning and personal growth. There are numerous websites and platforms where individuals can download Prado D4d Service Manual. These websites range from academic databases offering research papers and journals to online libraries with an expansive collection of books from various genres. Many authors and publishers also upload their work to specific websites, granting readers access to their content without any charge. These platforms not only provide access to existing literature but also serve as an excellent platform for undiscovered authors to share their work with the world. However, it is essential to be cautious while downloading Prado D4d Service Manual. Some websites may offer pirated or illegally obtained copies of copyrighted material. Engaging in such activities not only violates copyright laws but also undermines the efforts of authors, publishers, and researchers. To ensure ethical downloading, it is advisable to utilize reputable websites that prioritize the legal distribution of content. When downloading Prado D4d Service Manual, users should also consider the potential security risks associated with online platforms. Malicious actors may exploit vulnerabilities in unprotected websites to distribute malware or steal personal information. To protect themselves, individuals should ensure their devices have reliable antivirus software installed and validate the legitimacy of the websites they are downloading from. In conclusion, the ability to download Prado D4d Service Manual has transformed the way we access information. With the convenience, cost-effectiveness, and accessibility it offers, free PDF downloads have become a popular choice for students, researchers, and book lovers worldwide. However, it is crucial to engage in ethical downloading practices and prioritize personal security when utilizing online platforms. By doing so, individuals can make the most of the vast array of free PDF resources available and embark on a journey of continuous learning and intellectual growth.

FAQs About Prado D4d Service Manual Books

How do I know which eBook platform is the best for me? Finding the best eBook platform depends on your reading preferences and device compatibility. Research different platforms, read user reviews, and explore their features before making a choice. Are free eBooks of good quality? Yes, many reputable platforms offer high-quality free eBooks, including classics and public domain works. However, make sure to verify the source to ensure the eBook credibility. Can I read eBooks without an eReader? Absolutely! Most eBook platforms offer webbased readers or mobile apps that allow you to read eBooks on your computer, tablet, or smartphone. How do I avoid digital eye strain while reading eBooks? To prevent digital eye strain, take regular breaks, adjust the font size and background color, and ensure proper lighting while reading eBooks. What the advantage of interactive eBooks? Interactive eBooks incorporate multimedia elements, quizzes, and activities, enhancing the reader engagement and providing a more immersive learning experience. Prado D4d Service Manual is one of the best book in our library for free trial. We provide copy of Prado D4d Service Manual in digital format, so the resources that you find are reliable. There are also many Ebooks of related with Prado D4d Service Manual. Where to download Prado D4d Service Manual online for free? Are you looking for Prado D4d Service Manual PDF? This is definitely going to save you time and cash in something you should think about. If you trying to find then search around for online. Without a doubt there are numerous these available and many of them have the freedom. However without doubt you receive whatever you purchase. An alternate way to get ideas is always to check another Prado D4d Service Manual. This method for see exactly what may be included and adopt these ideas to your book. This site will almost certainly help you save time and effort, money and stress. If you are looking for free books then you really should consider finding to assist you try this. Several of Prado D4d Service Manual are for sale to free while some are payable. If you arent sure if the books you would like to download works with for usage along with your computer, it is possible to download free trials. The free guides make it easy for someone to free access online library for download books to your device. You can get free download on free trial for lots of books categories. Our library is the biggest of these that have literally hundreds of thousands of different products categories represented. You will also see that there are specific sites catered to different product types or categories, brands or niches related with Prado D4d Service Manual. So depending on what exactly you are searching, you will be able to choose e books to suit your own need. Need to access completely for Campbell Biology Seventh Edition book? Access Ebook without any digging. And by having access to our ebook online or by storing it on your computer, you have convenient answers with Prado D4d Service Manual To get started finding Prado D4d Service Manual, you are right to find our website which has a comprehensive collection of books online. Our library is the biggest of these that have literally hundreds of thousands of different products represented. You will also see that there are specific sites catered to different categories or niches related with Prado D4d Service Manual So depending on what exactly you are searching, you will be able to choose ebook to suit your

own need. Thank you for reading Prado D4d Service Manual. Maybe you have knowledge that, people have search numerous times for their favorite readings like this Prado D4d Service Manual, but end up in harmful downloads. Rather than reading a good book with a cup of coffee in the afternoon, instead they juggled with some harmful bugs inside their laptop. Prado D4d Service Manual is available in our book collection an online access to it is set as public so you can download it instantly. Our digital library spans in multiple locations, allowing you to get the most less latency time to download any of our books like this one. Merely said, Prado D4d Service Manual is universally compatible with any devices to read.

Find Prado D4d Service Manual :

non chronological report brazil

[nordictrack elite xt ntl149080](#)

normalized part four cape closed english edition

north dakota goose hunting guides

nokia phone instruction manual

[nortel meridian 61c guide](#)

nokia n73 factory reset code

nord peacuterou les andes guide de trekking

[noma thermostat manual wiring diagram](#)

[nortel t7316 user guide](#)

[nokia 62user guide](#)

nokia headphone hp 5 manual

[nora roberts boger](#)

normal accidents living with high risk technologies

nokia xpress x2 02

Prado D4d Service Manual :

FJ44-2C Line Maintenance Manual FJ44-2C LINE MAINTENANCE MANUAL - FJ44-2C - Free ebook download as PDF File (.pdf), Text File (.txt) or read book online for free. FJ44-2C LINE MAINTENANCE ... Williams FJ44-1A Line Maintenance Manual (MM) Download Description. These manuals are for novelty and reference use ONLY! These manuals are not updated manuals! FJ44-1A Line Maintenance Manual (MM) Download. Williams Intl FJ44-4A Engine Library Williams International

Service Information. Service Information. FJ44-4A-QPM (PDF). Line Maintenance Manual. 110990-201 Issue No. 020 (PDF). FJ44-4A-QPM (PDF). FJ44-1A / FJ44-2A/C FJ44-3A Installation or maintenance of the engine that is not in accordance with the appropriate approved Engine Manual(s). 2. Use or inspection of the engine contrary ... Williams Intl FJ44-1AP Engine Library FJ44-1AP (PDF). Line Maintenance Manual. 73568 Issue No. 053 (PDF). Williams International Service Information. Service Information. FJ44-1AP (IETM). Line ... FJ44/FJ33 | Handbook Authorisation by Williams International for line maintenance service on the FJ33 engines that power the Cirrus SF Vision Jet completes ASG's offering of full ... Williams International In addition to the manual instructions, maintenance was performed in accordance with the following service bulletins, ... 34775 FJ44-72-080: Engine - 2nd ... FJ44 SERVICE BULLETIN Jan 17, 2017 — This service bulletin gives instructions to replace the installed fuel flow to oil cooler tube assembly (P/N 50450). F. Approval: This service ... Fan Balance Williams International FJ44-1A/1AP(5/16wts) All procedures for Fan Balance and all adjustments should be made in accordance with the Aircraft Maintenance Manual. ... FJ44 Vibration Sensor Mount (Item 7). 9 ... Student Solutions Manual for Pagano/Gauvreau's ... Featuring worked out-solutions to the problems in PRINCIPLES OF BIOSTATISTICS, 2nd Edition, this manual shows you how to approach and solve problems using the ... Student Solutions Manual for Pagano/Gauvreau's ... Student Solutions Manual for Pagano/Gauvreau's Principles of Biostatistics by Marcello Pagano (2001-04-12) on Amazon.com. *FREE* shipping on qualifying ... Student solutions manual for Pagano and Gauvreau's ... Student solutions manual for Pagano and Gauvreau's Principles of biostatistics ; Genre: Problems and Exercises ; Physical Description: 94 pages : illustrations ; ... Student Solutions Manual for Pagano/Gauvreau's ... Student Solutions Manual for Pagano/Gauvreau's Principles of Biostatistics. Edition: 2nd edition. ISBN-13: 978-0534373986. Format: Paperback/softback. Publisher ... Student Solutions Manual for Pagano/Gauvreau's ... Featuring worked out-solutions to the problems in PRINCIPLES OF BIOSTATISTICS, 2nd Edition, this manual shows you how to approach and solve problems using the ... Students Solution Manual PDF Student Solutions Manual. for. Principles of Biostatistics Second Edition. Kimberlee Gauvreau Harvard Medical School. Marcello Pagano Student Solutions Manual for Pagano/Gauvreau's ... Student Solutions Manual for Pagano/Gauvreau's Principles of Biostatistics Paperback - 2001 - 2nd Edition ; Pages 112 ; Volumes 1 ; Language ENG ; Publisher Duxbury ... Student Solutions Manual for Pagano/Gauvreau's ... Featuring worked out-solutions to the problems in PRINCIPLES OF BIOSTATISTICS, 2nd Edition, this manual shows you how to approach and solve problems using the ... Student Solutions Manual for Pagano/Gauvreau's ... Read reviews from the world's largest community for readers. Book by Pagano, Marcello, Gauvreau, Kimberlee. Student Solutions Manual for Pagano/Gauvreau's ... Prepare for exams and succeed in your biostatistics course with this comprehensive solutions manual Featuring worked out-solutions to the problems in ... Trust Me, I'm Lying: Confessions of a Media Manipulator The objective of Trust Me, I'm Lying: Confessions of a Media Manipulator, by: Ryan Holiday, is to reveal the insider views and information of the media ... Trust Me, I'm Lying Trust Me, I'm Lying:

Confessions of a Media Manipulator is a book by Ryan Holiday chronicling his time working as a media strategist for clients including ... Trust Me, I'm Lying: Confessions of a Media Manipulator "Those in possession of absolute power can not only prophesy and make their prophecies come true, but they can also lie and make their lies come true." When ... Trust Me, I'm Lying: Confessions of a Media Manipulator Trust Me, I'm Lying was the first book to blow the lid off the speed and force at which rumors travel online—and get “traded up” the media ecosystem until they ... Trust Me, I'm Lying: Confessions of a Media Manipulator Trust Me, I'm Lying was the first book to blow the lid off the speed and force at which rumors travel online—and get "traded up" the media ecosystem until they ... Trust Me I'm Lying It's all the more relevant today. Trust Me, I'm Lying was the first book to blow the lid off the speed and force at which rumors travel online—and get "traded ... Trust Me, I'm Lying - Penguin Random House ... Trust Me, I'm Lying provides valuable food for thought regarding how we receive— and perceive— information.” — New York Post. Author. Ryan Holiday is one of ... “Trust Me, I'm Lying: Confessions of a Media Manipulator” ... Jun 22, 2023 — The updated edition of “Trust Me, I am Lying” by Ryan Holiday describes why “the facts” often can't compete with the media narrative. Book Review: Trust me, I'm lying ... lies as Ryan Holiday is very subtly suggesting in his book, Trust Me, I'm Lying. Broadcast news stations are given FCC licenses. If ... Table of Contents: Trust me, I'm lying - Falvey Library Trust me, I'm lying : the tactics and confessions of a media manipulator /. An influential media strategist reveals how blogs are controlling the news in ...