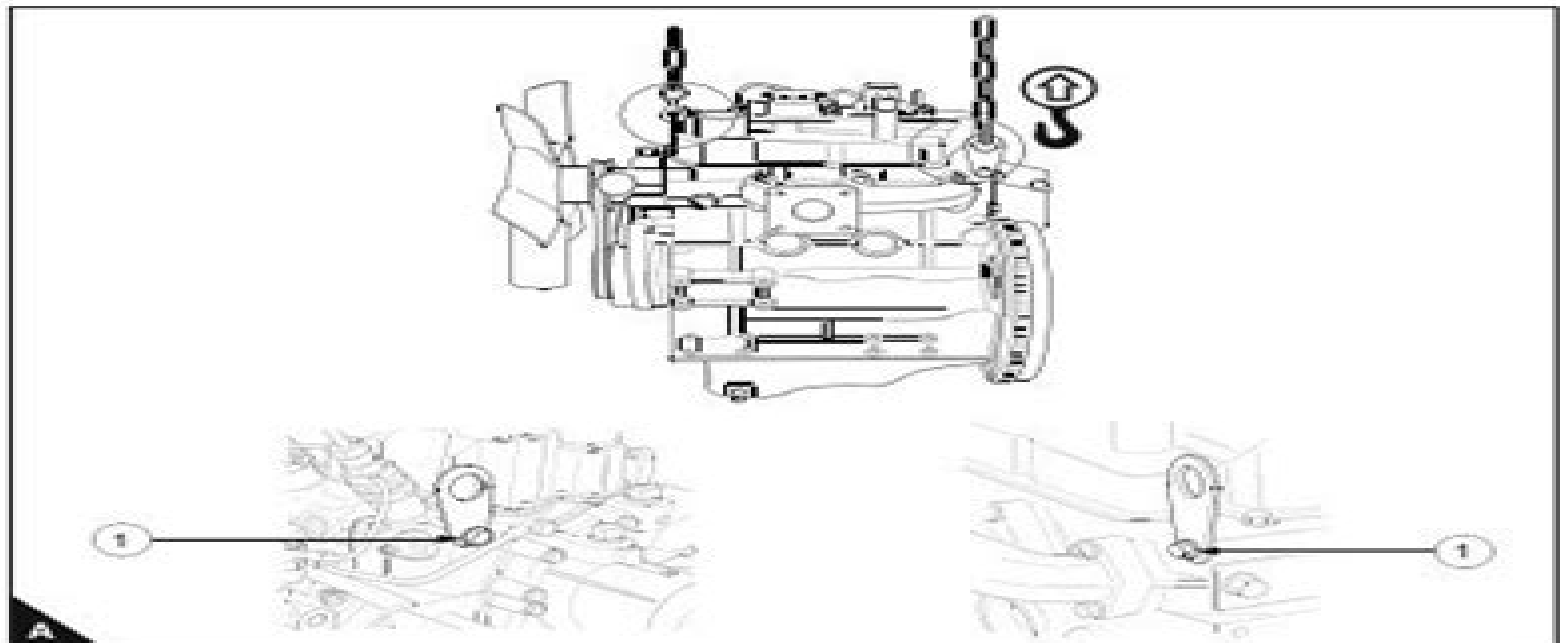


Engine lift equipment**Special requirements**

Torque Nm (lbf ft) kgf m	
Lifting hook bolts (A1)	26 (19) 2,6

Maximum engine weights (dry) with flywheel and housing fitted

Engine model	102-05	103-07	103-10	103-13	103-15	104-19	104-22
Engine build code	KN	KL	KD	KH	KE	KF	KR
Max engine weight	79 kg	87 kg	111 kg	104 kg	176 kg	207 kg	220 kg



Perkins 103 13 Manual

Wolfgang Guggemos



Perkins 103 13 Manual:

Popular Science ,1963-03 Popular Science gives our readers the information and tools to improve their technology and their world The core belief that Popular Science and our readers share The future is going to be better and science and technology are the driving forces that will help make it better Manual for Courts-martial United States. Department of Defense,1951 **Manual for Courts-martial, United States** ,1984 **Manual of Cable Osteosyntheses** Reiner Labitzke,2012-12-06 In bone surgery it is essential to compress fractures interfragmentarily in order to make them resistant to the tensile force of muscles and the force resulting from acceleration and deceleration This can be best achieved by the use of cable tension bands as a traction mechanism The cable tension band is in terms of stability of fractures far superior to the conventional rigid cerclage wire which has been widely used in osteosynthesis for over 100 years The author explains the biomechanics of the tension band in detail Theoretical findings are confirmed by clinical test results All osteosynthetic techniques which can be carried out with cables are described giving details of operation instructions Errors and risks are always pointed out A reference book and operative manual at a time **Manual for Courts-martial, United States, 1984** United States. Department of Defense,1984 **Readers' Guide to Periodical Literature** Anna Lorraine Guthrie,Bertha Tannehill,Neltje Marie Tannehill Shimer,1919 **Manual for Courts-Martial, United States** United States,1984

Sydney's One Special Evangelist Baden P. Stace,2022-08-04 This landmark work is the first academic study of a figure who played a defining role in the Australian evangelical movement of the late twentieth century the inimitable preacher evangelist and churchman John C Chapman The study situates Chapman s career within the secularizing Western cultures of the post 1960s a period bringing momentous changes to the social and religious fabric of Western society At the same time global Evangelicalism was reviving bringing vitality to large swathes in the Global South and a re balancing in Western societies as conservative religious movements experienced growth and even renewal amidst wider secularizing trends Against this backdrop the study explores the way in which across a wide array of domestic and international fora Chapman contended for the soteriological priority of the gospel in Christian life mission and thought Accomplished via an absorbing blend of personal wit impassioned oratory innovative missiological strategy and striking theological perception the result was a stimulating history of public advocacy that sought a revival of confidence in Evangelicalism s message and a constantly reforming vision of Evangelicalism s method Such a legacy marks Chapman as a central figure within the generation of postwar leaders whose work has given Australian Evangelicalism its contemporary shape and dynamism **Annotation to Manual for Courts-martial, United States, 1951** United States. Air Force,1957 Classified Illustrated Catalog of the Library Department of Library Bureau Library Bureau. Library Department,1894 The American Bookseller ,1878 **Classified Illustrated Catalog of the Library Bureau ...** Library Bureau,1894 **Readers' Guide to Periodical Literature** ,1915 Lippincott Manual of Nursing Practice Sandra M Nettina, Msn, Anp-BC,Sandra M. Nettina,2013-03-27

A classic text since it was first published in 1974 the Lippincott Manual for Nursing Practice LMNP has provided essential nursing knowledge and up to date information on patient care for nearly 40 years Now in its 10th edition this full color text continues to serve as the most comprehensive reference for practicing nurses and nursing students worldwide Often referred as the Lippincott Manual or simply the Lippincott the LMNP is widely used as a procedure manual for many healthcare institutions contains 157 Nursing Procedure Guidelines It is also widely regarded as the Gold Standard for nursing practice in the classroom Organized into five major parts LMNP presents a comprehensive reference for all types of core nursing care Part 1 Nursing Process Part 2 Medical Surgical Nursing Part 3 Maternity Part 5 Psychiatric Nursing Content is evidence based with supporting articles highlighted in actual entries and procedure guidelines Official Guidelines that shape practice are incorporated in to the content and include those from the National Institutes of Health American Diabetes Association American Heart Association American Nurses Association Joint Commission AWHONN and others A companion Website includes full text an image bank and drug related NCLEX style questions FDA updates and new clinical studies

American Rap Scenes Lavar Pope,2025-05-01 *American Rap Scenes* examines the history and legacy of rap music in 25 American cities through factors of geography migration movements music and technology Providing area centered analysis of a culture many see as monolithic Lavar Pope highlights the unique histories of rap music and Hip Hop culture how and why these scenes developed in 25 mid size and major cities across the country More so than other genres of music rap offers historical record of a multigenerational Black music that is region and locale specific and opens a window into the Black experience in America Highlighting global stars and key local artists alike *American Rap Scenes* features artists contextualized within their city of origin from Andre 3000 Atlanta Kendrick Lamar Compton and Common Chicago to Too Short Oakland Freddie Gibbs Gary and Akon Jersey City The 25 scenes covered in this book are South Bronx Manhattan and Harlem Queens Brooklyn Staten Island Hempstead Philadelphia Newark and Jersey City Boston Los Angeles and Compton Oakland and the San Francisco Bay Area Seattle and Portland Chicago and Gary Indiana St Louis Minneapolis Detroit Houston New Orleans Memphis Atlanta Miami Hampton Virginia Washington D C and Baltimore Honolulu San Juan Puerto Rico and Saint Thomas USVI These scenes have been chosen for the documented and longstanding histories of their local music making communities as well as similarities in the evolution of the local environment and geography the proximity and timeline of Black Latinx and Caribbean migrations and the impact of the Civil Rights Racial Justice and Women s Movements

Figuring Authorship in Antebellum America Michael Newbury,1997 Through studies of such writers as Hawthorne Melville and Stowe this book shows how the increased demand for salable entertainment fostered a new consciousness of authorship as a commercial and professional mode of work in the first half of the nineteenth century in America

Books and Notes of the Los Angeles County Free Library Los Angeles County Public Library,1929

Farm Equipment Directory and Handbook ,1963

Roberts and Hedges' Clinical Procedures in Emergency Medicine and Acute Care E-Book James R.

Roberts,2017-12-12 Comprehensive detailed and up to date Roberts and Hedges Clinical Procedures in Emergency Medicine and Acute Care 7th Edition provides highly visual coverage of both common and uncommon procedures encountered in emergency medicine and acute care practice It clearly describes the ins and outs of every procedure you re likely to consider such as how why when to and when not to perform them in addition toand recommends other emergency or acute care procedures that may be an option Thoroughly revised and updated throughout the 7th Edition remains the most well known and trusted procedures manual in its field Provides clear detailed information for practitioners at all levels of experience from trainees who are unfamiliar with a specific procedure to those with experience in the technique Covers the latest equipment devices drug therapies and techniques you need to know for the effective practice of emergency medicine and acute care Features new and updated information on ultrasound throughout the text including Ultrasound Boxes that are expertly written and richly illustrated with photographs and clinical correlative images Includes more Procedure Boxes that allow you to see entire procedures at a glance functioning as a mini atlas that allows you to quickly grasp how to perform a procedure Contains more than 100 new figures of more than 3 500 images total including new color photographs new Ultrasound Boxes and new algorithms Features a new chapter on Procedures in the Setting of Anticoagulation Covers hot topics such as novel loop abscess drainage technique ENT techniques and ophthalmology techniques as well as procedures performed by acute care practitioners such as sedation of the agitated patient alternate methods of drug delivery and common errors and complications in the acute care setting Expert Consult™ eBook version included with purchase This enhanced eBook experience allows you to search all of the text figures and references from the book on a variety of devices You ll also have access to nearly 250 procedural videos

AIDS Therapy E-Book Raphael Dolin, Henry Masur, Michael S. Saag,2007-12-10 AIDS treatments continues to evolve Now so does the definitive reference on this complex and challenging subject AIDS Therapy 3rd Edition not only brings you comprehensive guidance on the latest treatments for HIV AIDS and the full range of related disorders and syndromes but also comes with access to updates online so you can always tap into the most current therapy guidelines Written by a who s who of leading global experts the new edition of this classic reference is a must for any clinician who manages patients with HIV AIDS The most comprehensive coverage available on AIDS treatment equips you to meet any clinical challenge Contributions from a large cast of noted international authorities put global best practices at your fingertips Advice from some of the most respected experts in the field helps you manage your patients confidently Available with a companion website allowing you to access the latest treatment guidelines year after year

This is likewise one of the factors by obtaining the soft documents of this **Perkins 103 13 Manual** by online. You might not require more become old to spend to go to the book start as skillfully as search for them. In some cases, you likewise complete not discover the publication Perkins 103 13 Manual that you are looking for. It will definitely squander the time.

However below, behind you visit this web page, it will be correspondingly utterly easy to get as well as download guide Perkins 103 13 Manual

It will not understand many grow old as we accustom before. You can realize it while bill something else at home and even in your workplace. appropriately easy! So, are you question? Just exercise just what we offer under as competently as review **Perkins 103 13 Manual** what you in imitation of to read!

https://crm.avenza.com/files/browse/Download_PDFS/navy%20nonresident%20training%20courses%2014139%20answers.pdf

Table of Contents Perkins 103 13 Manual

1. Understanding the eBook Perkins 103 13 Manual
 - The Rise of Digital Reading Perkins 103 13 Manual
 - Advantages of eBooks Over Traditional Books
2. Identifying Perkins 103 13 Manual
 - Exploring Different Genres
 - Considering Fiction vs. Non-Fiction
 - Determining Your Reading Goals
3. Choosing the Right eBook Platform
 - Popular eBook Platforms
 - Features to Look for in an Perkins 103 13 Manual
 - User-Friendly Interface
4. Exploring eBook Recommendations from Perkins 103 13 Manual

- Personalized Recommendations
- Perkins 103 13 Manual User Reviews and Ratings
- Perkins 103 13 Manual and Bestseller Lists
- 5. Accessing Perkins 103 13 Manual Free and Paid eBooks
 - Perkins 103 13 Manual Public Domain eBooks
 - Perkins 103 13 Manual eBook Subscription Services
 - Perkins 103 13 Manual Budget-Friendly Options
- 6. Navigating Perkins 103 13 Manual eBook Formats
 - ePub, PDF, MOBI, and More
 - Perkins 103 13 Manual Compatibility with Devices
 - Perkins 103 13 Manual Enhanced eBook Features
- 7. Enhancing Your Reading Experience
 - Adjustable Fonts and Text Sizes of Perkins 103 13 Manual
 - Highlighting and Note-Taking Perkins 103 13 Manual
 - Interactive Elements Perkins 103 13 Manual
- 8. Staying Engaged with Perkins 103 13 Manual
 - Joining Online Reading Communities
 - Participating in Virtual Book Clubs
 - Following Authors and Publishers Perkins 103 13 Manual
- 9. Balancing eBooks and Physical Books Perkins 103 13 Manual
 - Benefits of a Digital Library
 - Creating a Diverse Reading Collection Perkins 103 13 Manual
- 10. Overcoming Reading Challenges
 - Dealing with Digital Eye Strain
 - Minimizing Distractions
 - Managing Screen Time
- 11. Cultivating a Reading Routine Perkins 103 13 Manual
 - Setting Reading Goals Perkins 103 13 Manual
 - Carving Out Dedicated Reading Time
- 12. Sourcing Reliable Information of Perkins 103 13 Manual

- Fact-Checking eBook Content of Perkins 103 13 Manual
 - Distinguishing Credible Sources
13. Promoting Lifelong Learning
- Utilizing eBooks for Skill Development
 - Exploring Educational eBooks
14. Embracing eBook Trends
- Integration of Multimedia Elements
 - Interactive and Gamified eBooks

Perkins 103 13 Manual Introduction

In the digital age, access to information has become easier than ever before. The ability to download Perkins 103 13 Manual has revolutionized the way we consume written content. Whether you are a student looking for course material, an avid reader searching for your next favorite book, or a professional seeking research papers, the option to download Perkins 103 13 Manual has opened up a world of possibilities. Downloading Perkins 103 13 Manual provides numerous advantages over physical copies of books and documents. Firstly, it is incredibly convenient. Gone are the days of carrying around heavy textbooks or bulky folders filled with papers. With the click of a button, you can gain immediate access to valuable resources on any device. This convenience allows for efficient studying, researching, and reading on the go. Moreover, the cost-effective nature of downloading Perkins 103 13 Manual has democratized knowledge. Traditional books and academic journals can be expensive, making it difficult for individuals with limited financial resources to access information. By offering free PDF downloads, publishers and authors are enabling a wider audience to benefit from their work. This inclusivity promotes equal opportunities for learning and personal growth. There are numerous websites and platforms where individuals can download Perkins 103 13 Manual. These websites range from academic databases offering research papers and journals to online libraries with an expansive collection of books from various genres. Many authors and publishers also upload their work to specific websites, granting readers access to their content without any charge. These platforms not only provide access to existing literature but also serve as an excellent platform for undiscovered authors to share their work with the world. However, it is essential to be cautious while downloading Perkins 103 13 Manual. Some websites may offer pirated or illegally obtained copies of copyrighted material. Engaging in such activities not only violates copyright laws but also undermines the efforts of authors, publishers, and researchers. To ensure ethical downloading, it is advisable to utilize reputable websites that prioritize the legal distribution of content. When downloading Perkins 103 13 Manual, users should also consider the potential security risks associated with online platforms. Malicious actors may exploit

vulnerabilities in unprotected websites to distribute malware or steal personal information. To protect themselves, individuals should ensure their devices have reliable antivirus software installed and validate the legitimacy of the websites they are downloading from. In conclusion, the ability to download Perkins 103 13 Manual has transformed the way we access information. With the convenience, cost-effectiveness, and accessibility it offers, free PDF downloads have become a popular choice for students, researchers, and book lovers worldwide. However, it is crucial to engage in ethical downloading practices and prioritize personal security when utilizing online platforms. By doing so, individuals can make the most of the vast array of free PDF resources available and embark on a journey of continuous learning and intellectual growth.

FAQs About Perkins 103 13 Manual Books

1. Where can I buy Perkins 103 13 Manual books? Bookstores: Physical bookstores like Barnes & Noble, Waterstones, and independent local stores. Online Retailers: Amazon, Book Depository, and various online bookstores offer a wide range of books in physical and digital formats.
2. What are the different book formats available? Hardcover: Sturdy and durable, usually more expensive. Paperback: Cheaper, lighter, and more portable than hardcovers. E-books: Digital books available for e-readers like Kindle or software like Apple Books, Kindle, and Google Play Books.
3. How do I choose a Perkins 103 13 Manual book to read? Genres: Consider the genre you enjoy (fiction, non-fiction, mystery, sci-fi, etc.). Recommendations: Ask friends, join book clubs, or explore online reviews and recommendations. Author: If you like a particular author, you might enjoy more of their work.
4. How do I take care of Perkins 103 13 Manual books? Storage: Keep them away from direct sunlight and in a dry environment. Handling: Avoid folding pages, use bookmarks, and handle them with clean hands. Cleaning: Gently dust the covers and pages occasionally.
5. Can I borrow books without buying them? Public Libraries: Local libraries offer a wide range of books for borrowing. Book Swaps: Community book exchanges or online platforms where people exchange books.
6. How can I track my reading progress or manage my book collection? Book Tracking Apps: Goodreads, LibraryThing, and Book Catalogue are popular apps for tracking your reading progress and managing book collections. Spreadsheets: You can create your own spreadsheet to track books read, ratings, and other details.
7. What are Perkins 103 13 Manual audiobooks, and where can I find them? Audiobooks: Audio recordings of books, perfect for listening while commuting or multitasking. Platforms: Audible, LibriVox, and Google Play Books offer a wide

selection of audiobooks.

8. How do I support authors or the book industry? Buy Books: Purchase books from authors or independent bookstores. Reviews: Leave reviews on platforms like Goodreads or Amazon. Promotion: Share your favorite books on social media or recommend them to friends.
9. Are there book clubs or reading communities I can join? Local Clubs: Check for local book clubs in libraries or community centers. Online Communities: Platforms like Goodreads have virtual book clubs and discussion groups.
10. Can I read Perkins 103 13 Manual books for free? Public Domain Books: Many classic books are available for free as they're in the public domain. Free E-books: Some websites offer free e-books legally, like Project Gutenberg or Open Library.

Find Perkins 103 13 Manual :

[navy nonresident training courses 14139 answers](#)

ncse maths past papers

navy hm dental manual

[navy instructor manual 134](#)

[ndc code for dysport](#)

[ncs accounting grade november 2014 exemplar](#)

[ncert english elective class xii guide](#)

[nbrc crt rrt exam study guide](#)

[nc state stormwater design manual](#)

[navneet guide for standard 6](#)

[nccer study guide ironworker](#)

[navy electrical manual](#)

[ncs mathematics paper 1 november 2013 memo](#)

[naxx military quarter guide](#)

[navy soil mechanics design manual](#)

Perkins 103 13 Manual :

pil sung taekwondo student manual pdf 2023 - Jun 12 2023

web mar 17 2023 pil sung taekwondo student manual pdf is available in our book collection an online access to it is set as public so you can get it instantly our books collection

pil sung taekwondo student manual book - Oct 04 2022

web getting this info get the pil sung taekwondo student manual associate that we present here and check out the link you could purchase lead pil sung taekwondo student

pil sung taekwondo student manual cyberlab sutd edu sg - Aug 14 2023

web pil sung taekwondo student manual black belt tae kwon do sep 04 2022 join over 400 million worldwide students of tae kwon do tae kwon do kom do kwan jun 20

pil sung taekwondo student manual uniport edu - Oct 24 2021

web may 17 2023 pil sung taekwondo student manual 1 9 downloaded from uniport edu ng on may 17 2023 by guest pil sung taekwondo student manual yeah reviewing a

pil sung taekwondo student manual forms iibr edu in - Dec 26 2021

web may 7 2023 pil sung taekwondo student manual 1 9 downloaded from uniport edu ng on may 7 2023 by guest pil sung taekwondo student manual this is likewise one of

pil sung taekwondo student manual lgscout com - Nov 05 2022

web 4 4 pil sung taekwondo student manual 2020 10 21 to making each student the best they can be in taekwondo and in life pil sung taekwondo karner

[pil sung taekwondo student manual 2023 zuzutop com](#) - Jan 07 2023

web pil sung taekwondo student manual right here we have countless books pil sung taekwondo student manual and collections to check out we additionally have enough

pil sung taekwondo student manual pdf download only - Aug 02 2022

web within the pages of pil sung taekwondo student manual pdf an enchanting fictional treasure overflowing with fresh feelings lies an immersive symphony waiting to be

[where to download pil sung taekwondo student manual pdf](#) - Sep 03 2022

web may 11 2023 where to download pil sung taekwondo student manual pdf free copy the art of ho am taekwondo student manual official taekwondo training manual

pil sung taekwondo student manual uniport edu - Jul 01 2022

web aug 12 2023 you could purchase lead pil sung taekwondo student manual or acquire it as soon as feasible you could speedily download this pil sung taekwondo student

pil sung taekwondo student manual pdf uniport edu - Mar 09 2023

web aug 5 2023 pil sung taekwondo student manual 2 8 downloaded from uniport edu ng on august 5 2023 by guest issues since it was first published in 1896 the handbook has

master hasan s pil sung taekwondo - Mar 29 2022

web pil sung taekwondo karner plaza guilderland new york 934 likes 30 talking about this 565 were here pil sung certain victory taekwondo is dedicated to making each

pil sung taekwondo student manual - Dec 06 2022

web pil sung taekwondo student manual author research forensic architecture org 2023 07 28 14 16 40 subject pil sung taekwondo student manual keywords

pil sung taekwondo student manual uniport edu - Sep 22 2021

pil sung taekwondo student manual pdf uniport edu - Apr 10 2023

web apr 2 2023 pil sung taekwondo student manual 1 10 downloaded from uniport edu ng on april 2 2023 by guest pil sung taekwondo student manual as recognized

pil sung taekwondo student manual - Jul 13 2023

web pil sung taekwondo student manual is available in our book collection an online access to it is set as public so you can get it instantly our books collection spans in multiple

pil sung taekwondo youtube - Apr 29 2022

web master hasan s pil sung taekwondo

pil sung taekwondo student manual pdf uniport edu - Feb 08 2023

web jul 15 2023 pil sung taekwondo student manual 2 10 downloaded from uniport edu ng on july 15 2023 by guest of interactive videodisc technology is designed to assist

pil sung taekwondo student manual - Jan 27 2022

web pil sung taekwondo student manual pil sung taekwondo student manual 2 downloaded from forms iibr edu in on 2023 01 18 by guest list nka movement for

pil sung taekwondo karner plaza guilderland ny facebook - Feb 25 2022

web pil sung taekwondo student manual this is likewise one of the factors by obtaining the soft documents of this pil sung taekwondo student manual by online you might not

pil sung taekwondo student manual uniport edu - Nov 24 2021

web jul 28 2023 pil sung taekwondo student manual 1 10 downloaded from uniport edu ng on july 28 2023 by guest pil sung taekwondo student manual when somebody

[pil sung taekwondo](#) - May 31 2022

web pil sung taekwondo offers instruction for all members of your family our moms and dads are learning valuable self defense techniques while improving their physical health kids

pil sung taekwondo student manual cyberlab sutd edu sg - May 11 2023

web structured two part full color manual for students on their way to the 1st dan in taekwon do written by two acknowledged experts in the field the 800 photos diagrams and

[dobok taekwondo tiger kwon](#) - Dec 08 2022

web description dobok taekwondo kwon tiger col blanc dobok initiation kwon col blanc particulièrement apprécié par les jeunes débutants en taekwondo matière 65 polyester et 35 coton couleur blanc avec dos vierge sans inscriptions décoration rayures tigre sur les épaules livré avec ceinture blanche discipline taekwondo

[tae kwon do t k d istanbul facebook](#) - Jan 29 2022

web tae kwon do t k d istanbul turkey 956 likes 56 were here eski taekwondo milli takim antrönörü ve milli takım teknik kurul Üyesi fevzi kuvvet yönetimin

kwon clubline kinder dobok anfängertaekwondo anzug tiger - Jun 14 2023

web kwon clubline taekwondo anzug tiger leichter kinder dobok mit optisch ansprechenden schulterstreifen einsteiger taekwondo anzug ideal für kinder und jugendliche taekwondo hose mit elastikbund und tiger logo unterhalb der hüfte taekwondo jacke mit schlupfkragen und weißem v kragen

kwon clubline kid s dobok taekwondo uniform bluetiger - Aug 16 2023

web kwon clubline taekwondo uniform blue tiger lightweight children s dobok with visually appealing shoulder stripes beginners taekwondo uniform ideal for children and teenagers taekwondo pants with elastic waistband and tiger logo below the waist taekwondo jacket with slip collar and white v collar tiger logo proudly displayed on the

taekwondo dobok fiyatları ve modelleri hepsiburada - Jul 15 2023

web taekwondo dobok fiyatları taekwondo dobok modelleri ve taekwondo dobok çeşitleri uygun fiyatlarla burada tıkla en ucuz taekwondo dobok seçenekleri ayağına gelsin

[dobok taekwondo blue tiger kwon dragonsports eu](#) - Nov 07 2022

web dobok taekwondo blue tiger kwon ce kimono traditionnellement appelé dobok blanc en alliage polyester coton est spécialement conçu pour la pratique du taekwondo cet ensemble est composé d un pantalon blanc avec logo tiger et d une veste blanche avec bande bleue descendant des épaules jusqu au coude

[taekwondo spor İstanbul](#) - May 01 2022

web tae ayak kwon el do ise ahlak anlamına gelmektedir taekwondo kelime anlamıyla el ve ayaklarla uygulanan savunma ve

saldırı tekniklerinden oluşan sporcuda ahlaki değerlerin yüceltilmesine katkıda bulunan bir spor dalıdır taekwondo uzak doğu ülkelerinden kore nin milli sporu olup bu ülkede doğmuş gelişmiş ve zamanla

dobok taekwondo tiger kwon boutique des arts martiaux - Apr 12 2023

web jun 15 1993 dobok taekwondo kwon tiger col blanc 551005 dobok initiation kwon col blanc particulièrement apprécié par les jeunes débutants en taekwondo matière 65 polyester et 35 coton couleur blanc avec dos vierge sans inscriptions décoration rayures tigre sur les épaules

taekwondo dobok uniform for kids adults kwon com - Mar 11 2023

web taekwondo uniform dobok for women men children for competition and training for masters and students taekwondo suits in the highest quality at the best prices you will find in our taekwondo shop kwon the martial arts shop

kwon clubline kid s dobok beginner taekwondo uniform tiger - May 13 2023

web kwon clubline taekwondo uniform tiger lightweight children s dobok with visually appealing shoulder stripes beginners taekwondo uniform ideal for children and teenagers taekwondo pants with elastic waistband and tiger logo below the waist taekwondo jacket with slip collar and white v collar tiger logo proudly displayed on the included

kimono taekwondo kwon tiger dobok karate gi fr - Aug 04 2022

web le kimono taekwondo kwon tiger convient parfaitement aux débutants aux enfants et aux adolescents le pantalon peut être brodé avec un logo tiger positionné sous la hanche y compris la ceinture qui est offerte tailles disponibles 90 180 cm un produit kwon clubline la qualité kwon à prix réduit

taekwondo anzug dobok für kinder und erwachsene im kwon - Jan 09 2023

web ab 35 90 entdecken sie die perfekte symbiose aus stil funktionalität und qualität mit unseren exklusiven taekwondo anzügen als führender anbieter von kampfkunst ausrüstung präsentiert kwon eine umfangreiche kollektion von taekwondo anzügen die sowohl anfänger als auch erfahrene praktizierende begeistern werden

kwon clubline kid s dobok beginner taekwondo uniform tiger - Dec 28 2021

web kwon clubline taekwondo uniform tiger lightweight children s dobok with visually appealing shoulder stripes beginners taekwondo uniform ideal for children and teenagers taekwondo pants with elastic waistband and tiger logo below the waist taekwondo jacket with slip collar and white v collar tiger logo proudly displayed on the included

taekwondo dobok taekwondo - Jun 02 2022

web taekwondo dobok dobok is the uniform worn by korean martial arts practitioners the word do is an important word in the martial arts as it means correct way eg taekwondo chung do kwan do jang bok means clothing the colour of the tae kwon do belt denotes the grade of the student the order of colour of belts sometimes

taekwondo istanbul facebook - Mar 31 2022

web taekwondo istanbul turkey 195 797 likes 49 talking about this administrators Ömer faruk Özcan

dobok wikipedia - Sep 05 2022

web dobok korean 도복 is the uniform worn by practitioners of korean martial arts such as taekwondo 1 2 do means way and bok means clothing the dobok came from the japanese keikogi dōgi used in japanese martial arts such as judo

taekwondo dobok everything you need to know not kimono tkd - Jul 03 2022

web dobok consists of three parts the first is a loose white sweatshirt called sang i it is sometimes zippered has slits and the itf badge on a chest more precisely on the left side on the back there is an inscription taekwon do in shape of a tree which is shown in english and korean another part of the clothing of a taekwondo

dobok taekwondo kwon tiger kwon lecoinduring - Feb 10 2023

web description avec le dobok de taekwondo pour enfant kwon tiger votre enfant va rebondir sur les tatamis le design du dobok tiger est parfaitement réussi il a été spécialement conçu pour les jeunes et juniors dans une matière 65 polyester 35 coton souple et confortable

kwon clubline dobok taekwondo enfant tiger - Oct 06 2022

web taille panier options de personnalisation se souv description guide de tailles informations sur le produit taekwondo dobok tiger kwon clubline dobok taekwondo tiger dobok pour enfants léger avec des rayures d'épaule visuellement attrayantes dobok taekwondo pour débutants idéale pour enfants et adolescents

[tae kwon do t k d istanbul facebook](#) - Feb 27 2022

web tae kwon do t k d İstanbul 957 beğenme 54 kişi buradaydı eski taekwondo milli takım antrenörü ve milli takım teknik kurul Üyesi fevzi kuvvet yönetimin

feeling and form a theory of art google books - Feb 15 2023

web jan 1 2020 feeling and form a theory of art developed from philosophy in a new key download citation on jan 1 2020 rolf lachmann published langer susanne k

langer author of feeling and form goodreads - Feb 03 2022

feeling and form a theory of art google books - Jul 08 2022

web susanne k langer feeling and form a theory of art developed from philosophy in a new key charles scribners sons new york copyright

feeling and form apa psycnet - Jun 19 2023

web oct 11 1977 paperback 16 51 20 used from 12 50 in philosophy in a new key susanne langer developed a theory of symbolism there applied to music which she felt

feeling and form a theory of art developed from philosophy in - Jun 07 2022

web langer susanne k feeling and form a theory of art developed from new key new york 1953 scribner s pp xvi 431 7 00 in this important book susanne langer

feeling and form a theory of art langer susanne k susanne - Jul 20 2023

web langer s k 1953 feeling and form scribner s new york abstract in order to explain the nature of art and its relation to feeling the author specifies the meaning of concepts

feeling and form work by langer britannica - Aug 21 2023

web feeling and form a theory of art langer susanne k susanne katherina knauth 1895 1985 free download borrow and streaming internet archive feeling and form a

feeling and form google books - Mar 16 2023

web feb 26 2020 the philosophy of susanne langer embodied meaning in logic art and feeling oxford bloomsbury academic 2019 stressing langer s agenda of embodied

feeling and form monoskop - Oct 23 2023

web feeling and form inproceedings langer1953feelingaf title feeling and form author susanne k langer year 1953

susanne langer philosophy oxford bibliographies - Jan 14 2023

web she was one of the earliest american women to achieve an academic career in philosophy and the first woman to be professionally recognized as an american philosopher langer

susanne langer wikipedia - Oct 11 2022

web susanne katherina knauth langer scribner 1953 art 431 pages developed from the author s philosophy is a new key bibliography p 417 428

feeling and form by langer goodreads - May 18 2023

web feeling and form a theory of art developed from philosophy in a new key susanne katherina knauth langer routledge kegan paul 1953 aesthetics 431 pages

feeling abstraction symbolization langer s aesthetic model of - Aug 09 2022

web feb 25 2009 feeling and form by susanne k langer visiting professor at the university of washington routledge and kegan paul pp xvi 431 with 6 plates price

feeling and form a theory of art amazon com - Dec 01 2021

feeling and form a theory of art langer susanne - Dec 13 2022

web feeling and form first edition in philosophy in a new key susanne langer developed a theory of symbolism there applied

to music which she felt could be developed to

amazon com feeling and form 9780023675003 - Apr 17 2023

web feeling and form a theory of art feeling and form susanne katherina knauth langer scribner 1953 aesthetics 431 pages

amazon com feeling and form 9780684718323 langer - Sep 10 2022

web hardcover first edition langer examines and defines the arts painting sculpture architecture poetry and prose literature music dance and drama and seeks to

reviews jstor - Mar 04 2022

web feeling and form offers the reader nothing less than a systematic comprehensive theory of art applied in turn to painting sculpture architecture literature music the dance

feeling and form by susanne k langer visiting professor at the - May 06 2022

web langer is the author of feeling and form 4 22 avg rating 102 ratings 11 reviews published 1953 theorizing transgender identity for clinical practic

langer susanne k feeling and form a theory of art - Nov 12 2022

web sep 25 2020 feeling is the originary ground out of which the world of forms emerges langer s concept of feeling has substantial overlaps but different points of derivation

pdf feeling and form semantic scholar - Sep 22 2023

web discussed in biography in susanne k langer symbols of scientific language in feeling and form 1953 she submitted that art especially music is a highly articulated form of

langer definition usage examples dictionary com - Jan 02 2022

susanne langer feeling and form pdf scribd - Apr 05 2022

web jul 21 2010 langer definition see examples of langer used in a sentence